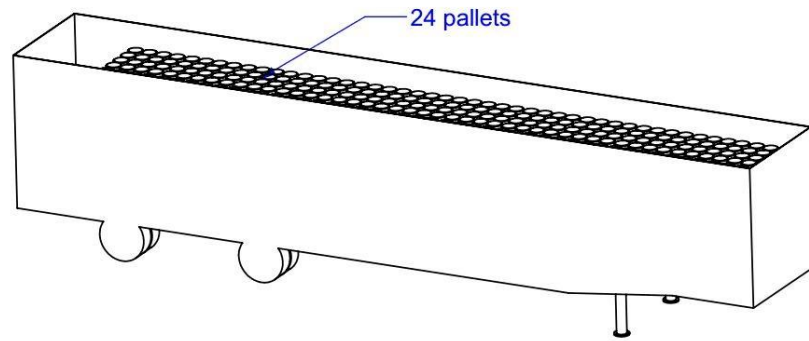


STRUCTA WIRE CORP

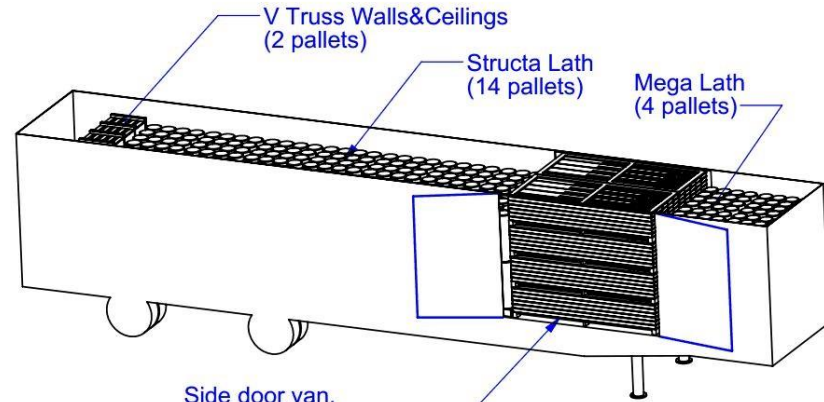
Shipping details

Truck load of rolled products



24 pallets

Sample mixed load

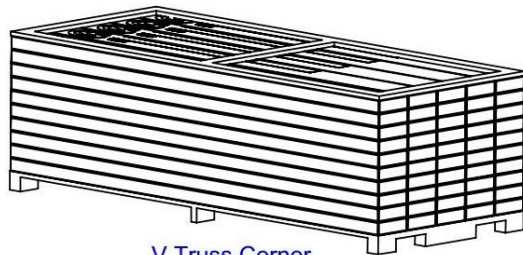


V Truss Walls & Ceilings
(2 pallets)

Structa Lath
(14 pallets)

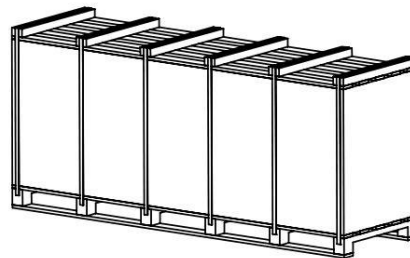
Mega Lath
(4 pallets)

Side door van,
11 ft. doors for corners



V Truss Corner
Jumbo, 50 Boxes pallet

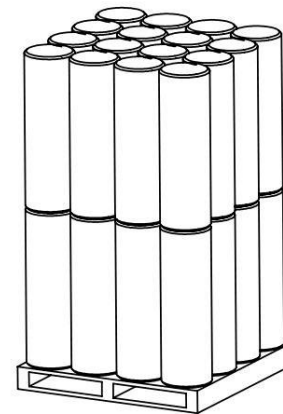
42" x 38" x 120"
4 - way pallet



V Truss Walls & Ceilings

29" x 44" x 98"
4 - way pallet

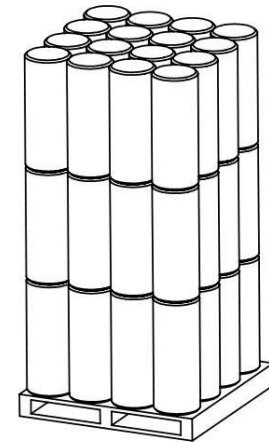
20 bundles - 240 sheets



Structa Lath
or Twin Trac

48" x 48" x 81"

32 rolls



Mega Lath

45" x 45" x 96"

48 rolls

Details on Pallet Packaging

Product	Dimensions* (LxWxH)	Product/pallet		Weight(lbs) /1 unit	Product + Pallet Weight (lbs) *
Structalath 38	48"x48"x81"	32	rolls	54	1738
Structalath 54	48"x48"x60"	25	rolls	54	1360
Structalath 48	48"x48"x53"	20	rolls	54	1090
Twin Trac	48"x48"x81"	32	rolls	60	1930
Mega Lath	45"x45"x96"	48	rolls	57	2746
VTruss Walls & Ceiling	29"x98"x44"	240	sheets (12/bundle)(20bundles/pallet)	4.5	1090
V Truss Corner (Jumbo)	42"x120"x38"	50	cartons (40/carton)(50cartons/pallet)	40	2010

* Estimated – dimensions & weights may vary.