

SCIENCE. SERVICE. SOLUTIONS.



# WATERPROOFING

## Barricoat®-S Spray-Applied Waterproofing Membrane



# WATERPROOFING

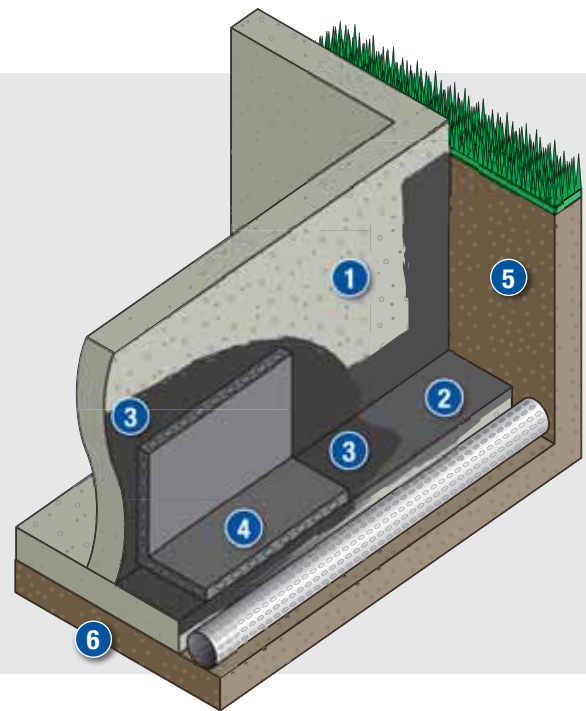
## Barricoat-S Spray-Applied Waterproofing Membrane

Carlisle Coatings & Waterproofing, Inc. (CCW) provides a broad range of solutions to meet specific waterproofing needs. CCW offers technical services, research & development and manufacturing capabilities from its headquarters in Wylie, Texas and two additional manufacturing facilities in Terrell, TX and Carlisle, PA. The CCW network is further supported by over 50 manufacturer's sales representatives directed by regional

sales offices throughout the country. CCW offers a complete line of waterproofing and moisture protection products for the architectural, general construction, industrial and maintenance industries. Carlisle Coatings & Waterproofing, Inc., is part of the Carlisle Construction Materials division of Carlisle Companies, Inc., which is a publicly traded company on the NYSE.

### Typical Application

- 1 Structural Concrete
- 2 Inside/Outside Corner Detailing
- 3 60-mil Barricoat
- 4 CCW MiraDRAIN Drainage Composite or CCW-Protection Board
- 5 Backfill
- 6 Concrete Footing



For difficult-to-waterproof below grade substrates, Barricoat-S is the solution. Barricoat-S consists of a water-based modified asphalt emulsion, which is catalyzed to form a seamless, monolithic waterproofing membrane. Perfect for large jobs, Barricoat-S utilizes a convenient spray delivery system that provides a fast application with high mobility which improves overall jobsite efficiency. Barricoat-S can also be applied to green concrete and damp surfaces, which reduces jobsite down time.

Barricoat-S is a water-based asphalt emulsion modified with a blend of synthetic polymers and special additives. Barricoat-S is dispensed in tandem with Barricure, a non-corrosive, chloride-free deliquescent salt solution. Barricoat-S and Barricure are applied through specialized co-spray equipment, which is provided by others and approved by CCW. During spray, Barricoat-S rapidly becomes firm, tack free and water resistant. Product air dries to its final cured state, which is a rubber-like, fully adhered membrane.

As a waterproofing and vapor barrier membrane for use in below-grade foundation wall assemblies, Barricoat-S is for use on primarily vertical surfaces and can be applied directly to concrete, concrete masonry, polystyrene foam insulation board and many other common building materials. Barricoat-S waterproofing and CCW MiraDRAIN drainage composite are combined for a complete, warranted foundation waterproofing system by CCW.

Barricoat-S and Barricure are purchased separately. Note that Barricure is a required system component for the highest possible system performance. Consumption of Barricure is approximately one pail for every three drums of Barricoat-S, or two pails for each tote.