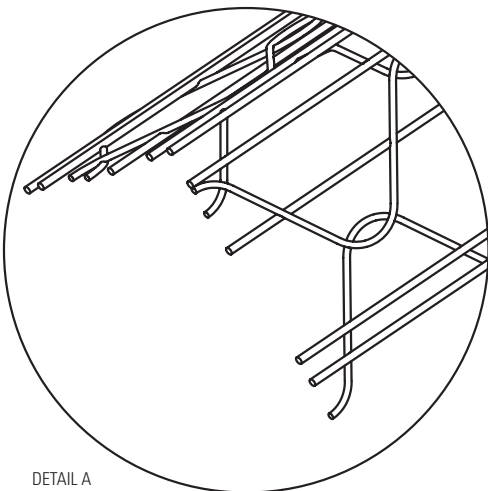
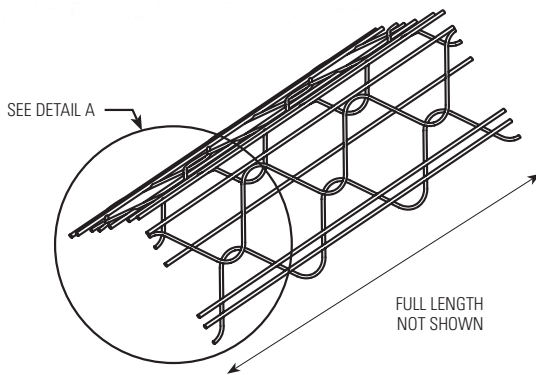
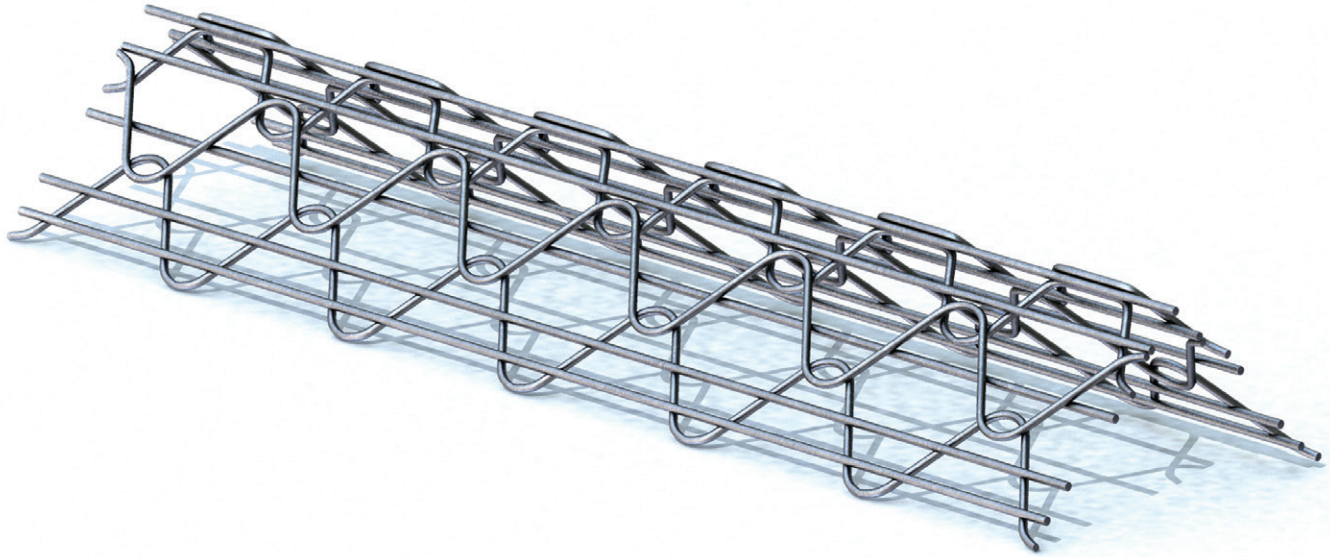


CEMCORNER



CEMCORNER is used as an exterior corner reinforcement that has a nailing strip along both sides for faster installation and straighter corners. CEMCORNER was designed so that it is easier for Portland cement plaster to flow into the nose of the CEMCORNER. CEMCORNER is fabricated from 17.5 GA. [0.054 inch diameter] galvanized welded-wire. CEMCORNER is available in the following configurations:

- Straight
- Straight Arch
- Straight Shortflange
- Bullnose
- Bullnose Arch
- Bullnose Shortflange

PACKAGING

Product	Length (ft)	Foot/Carton	Cartons/Pallet
Straight	8'	320	24
Straight	9'	360	24
Straight	10'	400	24
Straight Arch	10'	400	24
Straight Shortflange	10'	400	24
Bullnose	8'	320	24
Bullnose	9'	360	24
Bullnose	10'	400	24
Bullnose Arch	10'	400	24
Bullnose Shortflange	10'	400	24