

Henry® Air-Bloc® 17MR

Fluid Applied Vapor Permeable Air Barrier

Submittal Packet



Table of Contents

Henry® Air-Bloc® 17MR

Technical Data Sheets

Membrane

Henry® Air-Bloc® 17MR	3
-----------------------------	---

Primer Options

Henry® Aquatac™ Primer	6
------------------------------	---

Henry® Blueskin® LVC Spray Primer	8
---	---

Flashing Options

Henry® Blueskin® SA Self-Adhered Water Resistive Air Barrier	11
--	----

Henry® Air-Bloc® LF Liquid-Applied Flashing	13
---	----

Henry® Blueskin® Butyl Flash	16
------------------------------------	----

Sealant Options

Henry® 925 BES Sealant	18
------------------------------	----

Safety Data Sheets

Henry® Air-Bloc® 17MR	20
-----------------------------	----

Health and Product Declaration

Henry® Air-Bloc® 17MR	28
-----------------------------	----

Declare Label	34
---------------------	----

Architectural Details

Henry® Air-Bloc® 17MR - All Details	35
---	----

Sample Warranty

Henry® Air-Bloc® 17MR 5 Year Material Warranty	66
--	----

Product Certification

Henry® Air-Bloc® 17MR Product Certification	68
---	----

LEED Declarations

Henry® Air-Bloc® 17MR LEED Information	69
--	----



TECHNICAL DATA SHEET
Air-Bloc® 17MR
Vapor Permeable Air Barrier

Physical Property	Typical Value	Test Method
Color	Graphite	-
Recommended Film Thickness	70 mils (1.75 mm) wet 37 mils (0.94 mm) dry	-
Solids Content	By Weight: 63% By Volume: 53%	-
Weight	10.7 lbs/gal (1.3 kg/L)	-
Minimum Application Temperature	+20° F (-6° C)	-
Service Temperature	-40° F to +180° F (-40° C to +82° C)	-
Drying Time – Skin Formation	4-6 hours at 20° F (-6° C)	-
Drying Time – Set Through	24-48 hours at 20° F (-6° C)	-
Water Vapor Permeance	14 Perms	ASTM E96, Method B
Air Permeance - Material @1.57psf (75Pa)	0.0001 cfm/ft ² (0.0005 L/[sec·m ²])	ASTM E2178
Air Leakage - Assembly	Pass	ASTM E2357
Elongation	250%	ASTM D412
Tensile Strength	140 psi (965 kPa)	ASTM D412
Flame Spread Index	10, Class A	ASTM E84
Smoke Developed	15, Class A	ASTM E84
Fire Testing	Complies with NFPA 285 in various wall assemblies	NFPA 285
Water Absorption	5.6%	ASTM D570
Freeze-Thaw Resistance	Passes 10 cycles	ASTM D2243
Low Temperature Flexibility	Pass 1" @ -20° F (25 mm @ -29° C)	ASTM D1970
Crack Bridging	No cracking after 10 cycles @ 15° F (-9° C)	ASTM C1305
Nail Sealability	Pass	AAMA 711-07(ASTM D1970 modified)
Resistance to Mold, Mildew & Fungal growth	Pass	ASTM D5590
Chemical Resistance	Resists salt solutions, mild acids, and alkalis.	-
VOC Content, max	100 g/L	-

Description

Air-Bloc® 17MR is a liquid-applied, elastomeric membrane designed to provide a vapor permeable air and water barrier when applied to above-grade wall assemblies. It is single component, water-based and cures to a tough monolithic rubber-like membrane, which resists air leakage and water penetration. **Air-Bloc® 17MR** includes antimicrobial technology to create an integral mold resistant membrane, and offers a broad application temperature range with proprietary fire resistance technology to achieve compliance with stringent NFPA 285 requirements.

Features

- Low temperature application 20° F (-6° C) and rising with no additives required
- Proprietary fire resistant technology provides superior fire performance for compliance with NFPA 285
- Seamless, vapor permeable elastomeric membrane for above grade walls
- Integral mold resistant formulation
- Excellent adhesion to most construction surfaces such as exterior gypsum boards, CMU, concrete, stone, wood and metal
- Meets highest industry performance standards

Usage

Air-Bloc® 17MR is used in construction of high performance wall assemblies requiring vapor permeability in an air and water barrier. **Air-Bloc® 17MR** is integrated with Henry® flashings and accessories as part of a complete wall system meeting the highest industry performance standards. **Air-Bloc® 17MR** is commonly used on variety of wall substrates and sheathing prior to installation of exterior insulation and cladding.

Application

Surface Prep: All surfaces must be sound, dry, clean and free of frost, oil, grease, dirt, excess mortar or other contaminants. New concrete should be cured for a minimum of 16 hours before **Air-Bloc® 17MR** is applied. Concrete surfaces should be free of large voids and spalled areas.

Apply: Air-Bloc® 17MR may be applied by brush, trowel or roller, however, application by conventional air assisted spray equipment in a single or dual-coat application is the preferred method. Apply in continuous, monolithic application without sags, runs or voids, transitioning onto flashing membrane to create a uniform drainage plane and air barrier. Regularly monitor wet mil thickness during application to assure adequate coverage. The preferred method of application is to mark areas off and ensure that the appropriate volume has been sprayed over this area. During spraying, the material should be applied in horizontal strokes ensuring even application of the product, and then applied in vertical strokes, again ensuring even application. In areas where surface is not uniform, i.e., slightly rough with the presence of small indentations and recesses, an added over-spray should be performed. This over-spray should be sufficient to fill the voids, without excessive material application such that slumping or running of the material occurs.

Coverage Rates: Apply per published architectural specifications. Typical application rates include:

- **Smooth Surfaces** such as exterior gypsum sheathing or formed concrete: 4.25 gal US / 100 ft² (1.7 L/m²) to give a wet film thickness of approximately 70 mils (1.75 mm), and a nominal cured dry film thickness of 37 mils (0.94 mm), depending on texture and porosity of surface
- **Rough Surfaces** such as CMU: 5.4 gal US / 100 ft² (2.2 L/m²) to give a wet film thickness of approximately 90 mils (2.3 mm) depending on texture and porosity of surface

Application Equipment:

- **5 Gallon Pail:** Suggested Spray Equipment: Graco® 7900HD (2.1 GPM and 3300psi) airless sprayer with up to 250' of 3/8" ID hose and a HD Mastic Gun using a .031-.045 XHD tip, or similar equipment.
- **55 Gallon Drum:** Suggested Spray Equipment: Graco® 833HD (4.0 GPM and 4000psi) airless sprayer with up to 250' of 3/8" ID hose and a HD Mastic Gun using a .031-.045 XHD tip, or similar equipment

Joint and Crack Treatment: Joints between panels of exterior grade gypsum and plywood should be treated as outlined in the table below. Mortar joints on CMU walls should be struck full and flush with block surface. Cracks in masonry and concrete up to 1/2" (12 mm) wide shall be filled with a trowel application of **925 BES Sealant** or **Air-Bloc® LF** and allowed to cure overnight prior to application of the liquid-applied air barrier to the surface, or alternatively, the cracks may be sealed with a strip of **Blueskin®** air barrier. Transition joints between two dissimilar asphalt compatible materials at beams, columns, window and door frames, etc., should be sealed with strips of **Blueskin®** air barrier, lapped a minimum of 3" (75 mm) on both substrates. Surfaces to receive **Blueskin®** air barrier must be prepared per the applicable Technical Data Sheet. For non-asphalt compatible materials, contact your Henry® representative for more information. Dynamic or expansion joint treatment must be in compliance with the project's architectural details and specifications.

Sheathing or Substrate Non-Moving Joint Treatment Options:

Note: Apply per products' published Technical Data Sheets

Non-Moving Joints	Method #1 Sealant Method	Method #2 Fluid-Applied Method	Method #3 Self-Adhered Sheet Method
Less than 1/4" (6mm)	<ol style="list-style-type: none"> 1. 925 BES Sealant or Air-Bloc® LF 2. Fill and strike smooth 3. Allow to dry 	<ol style="list-style-type: none"> 1. Fill with Air-Bloc® 17MR by trowel or spray, extending beyond joint line a minimum of 3" (75 mm) onto face of substrate 2. Fully embed 2" (50 mm) minimum 183 – Repair Fabric Yellow Fiberglass glass fiber reinforcing tape into wet Air-Bloc® 17 MR – centered over joint 	<ol style="list-style-type: none"> 1. Apply Blueskin® Adhesive, Blueskin® LVC Adhesive or Aquatac™ Primer 2. Allow to dry 3. Apply self-adhered membrane and roll in place. <p><u>Select One:</u> Permeable option: • Blueskin® VP160</p> <p>Non-permeable option: • Blueskin® SA • Blueskin® SA LT • Metal Clad®</p>
1/4" (6mm) to 1/2" (12mm)	Same As Above	Do Not Use	Same as above

Air-Bloc® 17MR Vapor Permeable Air Barrier

Limitations: Air-Bloc® 17MR is designed for exposure of up to 180 days, but is not designed for permanent exposure to ultraviolet light and should be covered as soon as practical after application. Do not expose the backside of the substrate to moisture or rain. Protect exposed back-up walls against wet weather conditions during and after application of membrane, including wall openings and construction activity above completed air barrier installation.

Air-Bloc® 17MR should not be applied to wet surfaces or when ambient air and substrate temperatures are below or expected to fall below 20° F (-6° C) within 48 hours. The product should not be applied if it is raining, or if the possibility of rain is likely within 16 hours.

In hot weather or direct sun applications over porous substrates, such as concrete, rapid surface drying can form blisters. A thin 'prime coat' application to substrate, which is allowed to dry, often prevents blister formation in subsequent application. Alternatively, a two coat application vs. single heavy coat – with back rolling of base coat – also aids in prevention of blistering in hot weather.

Air-Bloc® 17MR is non-resistant to oils, grease or solvents.

Packaging

5 gallon (18.82 L) pails
55 gallon (205 L) drums

Storage

Store in a well-ventilated space. Recommended storage temperature from 39° F (4° C) to 104° F (40° C).

For more information, visit www.henry.com or for technical assistance call us at 800-486-1278. For more information on Henry's® product warranty and liability disclaimer please visit www.henry.com/warranty. Refer to the Safety Data Sheet prior to using this product. The Safety Data Sheet is available at www.henry.com or by emailing Henry® Product Support at productsupport@henry.com or by calling 800-486-1278.

© Henry, Blueskin, Air-Bloc and Metal Clad are registered trademarks of Henry Company

The technical and application information herein is based on the present state of our best scientific and practical knowledge. As the information herein is of a general nature, no assumption can be made as to a product's suitability for a particular use or application and no warranty as to its accuracy, reliability or completeness either expressed or implied is given other than those required by law. The user is responsible for checking the suitability of products for their intended use. Henry® Company data sheets are updated on a regular basis; it is the user's responsibility to obtain and to confirm the most recent version. Information contained in this data sheet may change without notice.



Physical property	Typical value
Color	Aqua
Solids by Volume	53% (approx.)
Weight	8.3 lbs/gal (approx.)
Application Temperature	25 °F to 104 °F
Coverage	Up to 500 ft ² /gal depending on porosity and texture of surface
Maximum VOC	50 g/l
Drying Time	@ 50% R.H. 68 °F Dry Substrate
- Initial Set	30 minutes
- Set Through	2 hours
Service Temperature	Minus 40 °F to 150 °F
Flammability	
- Wet	Non-Flammable
- Dry	Burns

Description

Aquatac™ Primer is a polymer emulsion based primer for self-adhered membranes.

Features and benefits

- Quick drying
- Highly tacky film provides positive adhesion to membrane
- Non-flammable during application
- Easily applied by spray, brush or roller
- Water based, no solvent odors
- Specially designed to provide a high level of tack on vertical surfaces

Usage

Used as a primer for self-adhered membranes such as **Blueskin® WP200** when applied to masonry, concrete, non-treated wood, drywall and metal.

Application

Surface Prep: All surfaces must be dry and free from dust, dirt, grease, oil or other foreign matter.

Apply: **Aquatac™ Primer** is applied by roller at a rate up to 500 sq. ft. per gallon depending on the porosity and texture of the surface and allow to dry. Airless, air assist, or air spray equipment may also be used. Not suitable for use with a garden type sprayer. Pour primer from container into sprayer and spray fine mist over the entire substrate. Allow primer to dry thoroughly before applying membrane. Primer surfaces not covered by membrane during the same working day must be reprimed. **Aquatac™ Primer** is intended to be used as supplied and should not be diluted.

Clean Up: For uncured film use water. Use mineral spirits for cured films.

Precautions

Protect from freezing during shipping, storage and application. Apply under dry conditions above 25 °F. Avoid freezing. Store product above 32 °F.

Henry Aquatac Primer

Caution

In case of eye contact, open eyelids wide and flush immediately with plenty of water for at least 15 minutes.

Seek medical attention.

Do not heat container or store at temperatures greater than 120 °F (49 °C).

Close container after each use.

Use protective measures to avoid contact with eyes and skin. If swallowed, seek medical attention immediately.

In case of accidental injection by power spray equipment, seek medical attention immediately.

Dispose of container and unused contents in accordance with local, state, and federal regulations.

Keep out of reach of children.

Protect from freezing.

For exterior use only.

Product size/packaging

5 gallon pail

Storage

Store rolls on end, on original pallets or elevated platform. Protect from weather or store in an enclosed area not subject to heat over 120 °F (49 °C). In cold weather, it is recommended to warm rolls to 50 °F (10 °C) or above prior to application to assure adhesion to substrate.

For more information, visit www.henry.com or for technical assistance call us at 800-486-1278. For more information on Henry's® product warranty and liability disclaimer please visit www.henry.com/warranty. Refer to the Safety Data Sheet prior to using this product. The Safety Data Sheet is available at www.henry.com or by emailing Henry® Product Support at productsupport@henry.com or by calling 800-486-1278.

Henry is a registered trademark of Henry Company.
Covered by US patent 6,901,712; Canadian patent 2,413,550.

The technical and application information herein is based on the present state of our best scientific and practical knowledge. As the information herein is of a general nature, no assumption can be made as to a product's suitability for a particular use or application and no warranty as to its accuracy, reliability or completeness either expressed or implied is given other than those required by law. The user is responsible for checking the suitability of products for their intended use. Henry® Company data sheets are updated on a regular basis; it is the user's responsibility to obtain and to confirm the most recent version. Information contained in this data sheet may change without notice.

Typical Physical Properties

Color	Blue
Base	Synthetic polymer
Application Temperature	40°F to 100 °F (4.4°C to 37.8°C)
Spray Pattern	Wide-web spray
Dry Time	1 to 3-minutes
Open Time	Up to 30-minutes
Solvent	Ester/Aliphatic hydrocarbon
Flash Point	<0°F (<-18°C)
Maximum VOC	250 g/l
Weight Per Gallon	7.16 lb (3.25 kg)
Shelf Life (Unopened)	12-months

Description

Henry 573 Blueskin LVC Spray Primer is a quick drying, low VOC (Volatile Organic Compound), rubber-based primer. It is designed to enhance the bond of peel and stick air barriers and waterproofing membranes, and also to bond system accessories, such as drain board, filter fabric, and polystyrene to masonry, concrete, wood, gypsum board, DensGlass® sheathing, and metal surfaces. It contains no chlorinated solvents and offers an excellent alternative to methylene chloride-based products.

Henry 573 Blueskin LVC Spray Primer is the surface preparation of choice on above and below grade applications where a quick setting, aggressive tack, is required.

Features

- Easy spray application, quick setting, and long working time
- Excellent adhesion to a wide variety of substrates
- Low VOC

US Regulatory Compliance

- OTC (Ozone Transport Commission), Rule for Adhesives and Sealants
- SCAQMD (South Coast Air Quality Management District) Rule 1168 – Adhesive and Sealant Applications
- All California Air District Regulations

Product Size

27 lb (12 kg) canisters

Usage

Henry 573 Blueskin LVC Spray Primer increases the bond strength to substrate for peel and stick air barrier and waterproofing membranes, such as Blueskin SA, SA-LT, TWF, WP200, and Blueskin VP, and also bonds system accessories, such as drain board, filter fabric, and polystyrene to masonry, concrete, wood, gypsum board, DensGlass® sheathing, and metal surfaces.

Henry 573 Blueskin LVC Spray Primer

Primer should not be applied directly to polystyrene; apply primer to the substrate only and follow Application instructions. Test primer on the product to be bonded before use when in doubt of compatibility.

Surface Preparation

Surfaces must be dry and free from dust, dirt, grease, oil, or other foreign matter.

Coverage

Approximately 1,650 to 2,450 square feet (153 to 228 m²) per canister depending on the porosity and texture of the surface and thickness of application. To assure proper spray pattern, prior to use store canister overnight in a room temperature environment. Application below 40°F (4.4°C) is not recommended.

Recommended Equipment

Airless spray gun, such as GunJet® AA23L, ASM 200, Graco® SG-1, or equivalent airless spray gun, and 6' (1.83 m) hose. Spray gun and hose are not included.

Application

Hose Connection: Use Teflon® tape on all fittings. Before initial use, securely attach spray gun to hose, then hose to canister; ensuring not to cross thread fittings. Open valve and check for leaks. Use only in well ventilated areas. Keep away from flame. Material is extremely flammable (see precautions below). Before beginning to spray, check area for ignition sources. Use protective eyewear (goggles) and gloves when handling. Read **Safety Data Sheet (SDS)** for complete safety information prior to use. Do not aim spray nozzle in direction of people.

Apply Blueskin LVC Spray Primer between 40°F to 100°F (4.4°C to 37.8°C) in order to obtain proper spray pattern. Fully open canister valve and do not close until empty. Hold spray nozzle approximately 8 to 12-inches (20 to 30 cm) from substrate and spray at a 90° angle from the substrate and even web coat. Apply at recommended coverage. Do not allow primer to “puddle”. Allow primer to dry until tacky for a minimum of 1 to 3 minutes at 60°F (15.6°C), under normal conditions, before bonding. Heat and humidity, or cold weather can cause longer drying times. Surfaces are dry if primer is tacky, but no primer transfers to the hand when touched. Use knuckles to test for tackiness. Complete the bond within 30-minutes, under normal conditions, after the primer is dry. If the two surfaces do not bond immediately when brought into contact, they have dried too long and another coat of primer should be applied to at least one of the surfaces. Coated surfaces not bonded during the working day must be recoated.

Carefully position coated surfaces before putting them together since no shifting is possible once contact is made. Bond surfaces together and immediately apply firm and uniform pressure over entire surface; work from the center to the edges.

Please consult Product Support for any specific questions regarding the application of this product.

Clean-up

Equipment can be cleaned with biodegradable terpene solvent or mineral spirits. Use care in handling solvents. Clean hands with waterless hand cleaner.

Storage and Disposal General Recommendations

Store canisters out of direct sunlight in a cool, well-ventilated area. Avoid storing canisters directly on the floor or against an outside wall. The shelf life for an unopened canister of this product, stored at temperatures between 60°F and 95°F (15.6°C and 35°C), is 12-months from date of manufacture. Observe all labeled hazard precautions.

Empty Canister Venting Instructions: The canister must be empty and permanently vented before disposing of it. The canister is empty when only air is coming out of the spray gun. Shut off the valve and remove the hose and spray gun. The empty canister will still have residual pressure and a small amount of liquid. In a well-ventilated area, open the valve and allow the pressure to drain and liquid to dry for at least 24-hours before permanently venting the canister. Opening the valve only is not sufficient and the canister must be permanently vented for proper disposal. After the pressure has been drained and liquid has dried, to permanently vent the empty canister, keep the valve in the open position and punch out the pressure relief disk. A non-sparking plastic, rubber, or wooden tool should be used to punch out the pressure relief disk. Do not punch out the pressure relief disk in the same area that the canister was drained in. The pressure relief disk is located at the top of the canister.

Henry 573 Blueskin LVC Spray Primer

The empty **and vented** canister can be disposed of as solid waste or recycled as scrap metal where local regulations and recycling facilities allow.

For further details, refer to the "Guidelines For The Storage And Disposition of Henry 573 Blueskin LVC Spray Primer Canisters" Henry Tech-Talk.

Precaution

DO NOT THIN. Avoid use where solvent odors may taint food or other susceptible products

**KEEP OUT OF REACH OF CHILDREN.
FOR INDUSTRIAL USE ONLY.
FOR EXTERIOR USE ONLY.
PLEASE READ THE ENTIRE LABEL.**

DANGER! EXTREMELY FLAMMABLE LIQUID AND VAPOR. VAPORS MAY CAUSE FLASH FIRE AND EXPLOSION. CONTENTS UNDER PRESSURE. VAPORS HARMFUL. Contains hexane, methyl acetate, and hydrocarbon propellants. Vapors may ignite explosively. Keep away from heat, sparks, and flame. Do not smoke. Extinguish all flames and pilot lights; turn off all stoves, heaters, electric motors, and other sources of ignition during use and until all vapors are gone. Do not heat container or store at temperatures greater than 120°F (48.8°C). **CLOSE AIR INTAKES** until solvents dissipate. Contains volatile solvents that might contaminate potable water. Close container after each use. **FIRST AID: DANGER! HARMFUL OR FATAL IF SWALLOWED!** If swallowed, do not induce vomiting. **CALL PHYSICIAN IMMEDIATELY!** May be harmful if absorbed through skin. Use protective measures to avoid contact with eyes and skin. In case of eye contact, open eyelids wide and flush immediately with plenty of water for at least 15-minutes. **GET MEDICAL ATTENTION! USE ONLY WITH ADEQUATE VENTILATION!** Avoid breathing of vapor. If you experience eye watering, headaches or dizziness, leave area or increase fresh air or wear respirator (NIOSH/MSHA TC 23C or equal). Repeated and prolonged occupational exposure to solvents can result in permanent brain and nervous system damage.

WARNING: This product contains detectable amounts of chemicals known to the State of California to cause cancer, or birth defects, or other reproductive harm.

Employers should obtain a copy of the **Safety Data Sheet (SDS)** from your supplier at the toll free number or website below.

Limited Material Warranty

We, the manufacturer, warrant only that this product is free of defects, since many factors which affect the results obtained from this product – such as weather, workmanship, equipment utilized, and prior condition of the substrate – are all beyond our control. We will replace at no charge any product proved to have a material defect within 12-months of purchase, provided it has been applied in accordance with our written directions for uses we recommend as suitable for this product. Proof of purchase must be provided. **DISCLAIMER OF WARRANTIES AND LIMITATION OF LIABILITY: THIS LIMITED WARRANTY IS IN LIEU OF ANY OTHER WARRANTIES EXPRESS OR IMPLIED INCLUDING BUT NOT LIMITED TO ANY IMPLIED WARRANTY OF MERCHANTABILITY OR FITNESS FOR A PARTICULAR PURPOSE. MANUFACTURER SHALL HAVE NO LIABILITY OF ANY KIND BEYOND PRODUCT REPLACEMENT, INCLUDING FOR CONSEQUENTIAL OR INCIDENTAL DAMAGES RESULTING FROM ANY DEFECTS OR ANY DELAYS CAUSED BY REPLACEMENT OR OTHERWISE. IF PURCHASER DOES NOT ACCEPT THESE TERMS OF THE LIMITED WARRANTY, PURCHASER MAY RETURN ALL CONTAINERS OR PACKAGES OF PRODUCT PURCHASED FOR A FULL REFUND (PROVIDED THE CONTAINERS OR PACKAGING IS UNOPENED AND LESS SHIPPING CHARGES IF ANY) WITHIN 30-DAYS OF PURCHASE. RETENTION OF PRODUCT BEYOND 30-DAYS FROM PURCHASE, OR USE OF PRODUCT SHALL CONSTITUTE ACCEPTANCE OF THE LIMITED WARRANTY TERMS, CONDITIONS, AND DISCLAIMERS. THIS LIMITED WARRANTY PROVIDES THE PURCHASER'S EXCLUSIVE REMEDY FOR ANY DEFECT IN THE PRODUCT.** For further details of Henry's product warranty, see our website at www.henry.com/warranty.

STATEMENT OF RESPONSIBILITY

The technical and application information herein is based on the present state of our best scientific and practical knowledge. As the information herein is of a general nature, no assumption can be made as to a product's suitability for a particular use or application and no warranty as to its accuracy, reliability, or completeness either expressed or implied is given. The user is responsible for checking the suitability of products for their intended use. Henry Company data sheets are updated on a regular basis; it is the user's responsibility to obtain and to confirm the most recent version. Information contained in this data sheet may change without notice.



Physical Property	Typical Value	Test Method
Color	Blue	-
Thickness, nominal	40 mils (1.0 mm)	-
Application Temperature, minimum	41°F (5°C)	-
Service Temperature	-40°F to 158°F (-40°C to 70°C)	-
Water Vapor Permeance	0.03 Perms	ASTM E96, Method A
Water Vapor Permeance	0.08 Perms	ASTM E96, Method B
Elongation, minimum	200%	ASTM D412, modified
Tensile Strength, minimum	500 psi	ASTM D412, modified
Puncture Resistance, minimum	40 lbf (178 N)	ASTM E154
Watertightness	Pass	CAN/CGSB-37.58-M86
Nail Sealability	Pass	ASTM D1970
Low Temperature Flexibility @ -22°F (-30°C)	Pass	CGSB 37-GP-56M
Lap Peel Strength @ 39°F (4°C)	25.0 lbf/in (> 4378.4 N/m)	ASTM D903, 180° bend
Water Absorption	0.1%	ASTM D570
Air Leakage @ 75 Pa	0.0002 cfm/ft ² (0.0011 L/s.m. ²)	ASTM E2178
Air Leakage After 3000 Pa Test	No Change	ASTM E330-90
Assembly Air Leakage @ 75 Pa	0.0039 cfm/ft ² (0.0195 L/s.m. ²) - Pass	ASTM E2357, CAN/ULC-S741-08
Air Leakage Rate	Classification A1	CAN/ULC-S742-11
Crack Bridging	Pass	ASTM C1305
Fire Testing	Complies in various wall assemblies	NFPA 285

Description

Blueskin[®] SA is a self-adhered water resistive air barrier consisting of an SBS rubberized asphalt compound, which is integrally laminated to a blue engineered thermoplastic film surface. It is specifically designed to be self-adhered to a prepared substrate providing an air, vapor and water resistive barrier in full wall applications or as penetration/flashing membrane with other air barrier systems.

Features

- Flexible at low temperatures
- Impermeable to air, moisture vapor and water
- Compatible with Henry[®] **Air-Bloc[®]** fluid applied air barriers
- Self-gasketing when penetrated and under compression with self-tapping screws

Usage

Blueskin[®] SA is designed for use as a self-adhered air, vapor and water resistive barrier. It can also be used as a transition sheet in conjunction with Henry[®] **Air-Bloc[®]** fluid applied air barriers where greater movement is anticipated due to its high strength. **Blueskin[®] SA** is also used for tying into metal on curtain walls, windows and doorframes.

Application

Surface Prep: All surfaces to receive **Blueskin[®] SA** must be clean of oil, dust and excess mortar. Acceptable substrates are exterior-grade gypsum sheathing, plywood, OSB, precast or cast-in-place concrete, concrete block, primed steel, aluminum mill finish, anodized aluminum and galvanized metal. Strike masonry joints flush. Concrete surfaces must be smooth and without large voids, spalled areas or sharp protrusions. Concrete must be cured a minimum of 14 days and must be dry before **Blueskin[®] SA** is applied. Where curing compounds are used, they must be clear resin based, without oil, wax or pigments.

Blueskin® SA Self-Adhered Water Resistive Air Barrier

All surfaces to receive **Blueskin® SA** require an application of **Blueskin® Adhesive**, **Blueskin® LVC Adhesive** or **Aquatac™ Primer** allowed to dry to a tacky film before **Blueskin® SA** is applied. Coated surfaces not covered by membrane during the working day must be recoated. Availability may vary by region.

Apply: Position **Blueskin® SA** for alignment and remove release film and press firmly in place. Roll membrane, including seams, with a countertop roller to ensure full contact once in place. Membrane must be rolled after application to ensure adhesion to substrate and laps. **Blueskin® SA** must be lapped a minimum of 2" (50 mm) on both sides and end laps. When using with brick ties, position, press in place and cut for ties or projections. Seal around any openings and at leading edge at the end of the workday with **925 BES Sealant**, **Air-Bloc® 21** or **Air-Bloc® 21FR**. Detail work must be carefully carried out to ensure continuous air tightness of the membrane. It is recommended that mechanical attachment be made to all window and doorframes, or a properly designed sealant joint be provided.

Membrane applied to the underside of the substrate (i.e. ceilings) and extending more than 6 inches (152 mm) onto inverted surfaces requires mechanical fastening through treated wood or galvanized metal strapping, or have insulation mechanically fastened. Fastening must take place immediately after installation of the membrane. Space strapping on 18" (457 mm) centers, running perpendicular to the side laps.

Insulation Application: The use of mechanical fasteners through **Blueskin® SA** along changes in plane, such as inside corners, may be required by some insulation manufacturers. Consult insulation manufacturer prior to installation of insulation.

- **Insulation Clips:** Insulation clips should be mechanically fastened through the membrane into the substrate with a self-tapping screw. Apply number of insulation clips as recommended by the insulation manufacturer.
- **Insulation Adhesive: Air-Bloc® 21** or **Air-Bloc® 21FR** should be applied to insulation boards in a serpentine pattern to restrict movement of air behind the insulation. Alternatively, a full coat notched trowel application may be applied to the back of the board. Press insulation firmly in place.

Limitations: Blueskin® SA is designed for exposure up to 90 days if necessary to accommodate construction scheduling, but is not designed for permanent exposure to ultraviolet light and should be covered as soon as practical after application. It is not to be used in direct contact with flexible PVC/vinyl membranes or gaskets. Consult the PVC/vinyl window manufacturer for compatibility.

Packaging

48" x 75' (1.22m x 22.86m)
36" x 75' (914mm x 22.86m)
18" x 75' (457mm x 22.86m)
12" x 75' (300mm x 22.86m)
9" x 75' (225mm x 22.86m)
6" x 75' (150mm x 22.86m)
4" x 75' (100mm x 22.86m)

Storage

Store rolls on end, on original pallets or elevated platform. Protect from weather or store in an enclosed area not subject to heat over 120°F (49°C). Double stacked pallets are not recommended. If double stacking is necessary, use a plywood sheet to distribute the load.

For more information, visit www.henry.com or for technical assistance call us at 800-486-1278. For more information on Henry's® product warranty and liability disclaimer please visit www.henry.com/warranty. Refer to the Safety Data Sheet prior to using this product. The Safety Data Sheet is available at www.henry.com or by emailing Henry® Product Support at productsupport@henry.com or by calling 800-486-1278.

© Henry, Blueskin and Air-Bloc are registered trademarks of Henry Company.

The technical and application information herein is based on the present state of our best scientific and practical knowledge. As the information herein is of a general nature, no assumption can be made as to a product's suitability for a particular use or application and no warranty as to its accuracy, reliability or completeness either expressed or implied is given other than those required by law. The user is responsible for checking the suitability of products for their intended use. Henry® Company data sheets are updated on a regular basis; it is the user's responsibility to obtain and to confirm the most recent version. Information contained in this data sheet may change without notice.

Physical Property	Typical Value	Test Method
Color	Blue	-
Application Temperature	20°F to +110°F (-7°C to +43°C)	-
Service Temperature	-40°F to +200°F (-40°C to +93°C)	-
Drying Time @ 50% R.H. 68°F (20°C)	Skin Time @ 25 mils (0.6 mm): 1-2 hours Cure Time @ 25 mils(0.6 mm): 24 hours	-
Elongation, min	264%	ASTM D412, modified
Tensile Strength, min	132 psi (910 kPa)	ASTM D412, modified
Crack Bridging	Pass	ASTM C1305
VOC Content, max	<25 g/L	-
Hardness, Shore A	30-35	ASTM C661
Corrosive Properties	Non-corrosive	-
Nail Sealability	Pass	AAMA 711
Asphalt Compatibility	Pass	AAMA 713
Low Temperature Flexibility @ -22°F (-30°C)	Pass	CGSB 37-GP-56M, ASTM D552
Water Vapor Permeance	12 mils: 22.9 perms 25 mils: 21.8 perms 40 mils: 10.6 perms	ASTM E96, Method B
Moisture Absorption	0.1%	ASTM D570-81
Water Resistance	Pass	AC212, ASTM D2247
Air Leakage @75 Pa	≤ 0.004 CFM/ft ² (≤ 0.02 L/[sm ²])	ASTM E2178
Adhesion	Peel after UV: >5 lbs/in (875 N/m) Peel after High Temp : >5 lbs/in (875 N/m) Peel after Water Immersion: >5 lbs/in (875 N/m) Peel after Thermal Cycling: >5 lbs/in (875 N/m)	AAMA 711
Flame Spread	20, Class A	ASTM E84
Smoke Developed	5, Class A	ASTM E84
Solids by Volume	95%	-

Description

Air-Bloc[®] LF is a moisture cure single-component elastomeric liquid-applied flashing using a highly advanced Silyl-Terminated Polyether (STPE) polymer. It is designed to cure through reaction with airborne moisture to provide a heavy-duty seamless rubber-like impervious membrane with excellent weathering and water resistance.

Features

- Fast curing, high solids and single component
- Low VOC, low odor
- Excellent compatibility with all Henry[®] air barriers and components, including rubberized asphalt
- Easy to install, no special equipment required

Usage

Air-Bloc[®] LF is designed for use as a concealed air barrier flashing to protect against air, water and moisture penetration around windows and doors for commercial and residential construction.

Application

Surface Prep: Substrates should be dry and clean of oil, dust, excess mortar and sharp protrusions, standing water and frost. Concrete surfaces must be cured a minimum of 14 days. Damp concrete is acceptable but must not be wet. Acceptable substrates are precast concrete, cast-in-place concrete, concrete block, primed steel, aluminum mill finish, anodized aluminum, galvanized metal, exterior-grade gypsum board, OSB and plywood. Strike masonry joints flush. Concrete surfaces must be smooth and without large voids, spalled areas or sharp protrusions. Where curing compounds are used, they must be clear resin based, without oil, wax

Air-Bloc® LF Liquid-Applied Flashing

or pigments.

Fill open joints, seams and cracks wider than 1/8" (3 mm) up to 1/2" (13 mm) with **925 BES Sealant** or **Air-Bloc® LF** prior to final application of **Air-Bloc® LF**.

Apply: Apply **Air-Bloc® LF** to substrate in a serpentine fashion using appropriate caulking gun and then spread using a trowel, joint knife or roller to achieve a monolithic membrane over the rough opening surfaces. Regularly monitor wet mil thickness during application to assure adequate coverage. **Air-Bloc® LF** can be applied in a single coat.

Spread uncured **Air-Bloc® LF** to cover the inside of the rough opening and extend a minimum of 4" (100 mm) over the surface of the exterior wall. If a continuous air barrier such as **Air-Bloc®** or **Blueskin®** air barriers are used over the exterior wall, overlap **Air-Bloc® LF** a minimum of 2" (50 mm) over adjacent membranes.

Coverage Rates: Apply per published architectural specifications. Typical application rates include:

- **Smooth Surfaces** such as exterior gypsum sheathing or formed concrete: 10 ft² (0.9 m²) per 20 oz (0.6 L) sausage to give a wet film thickness of 25 mils (0.6 mm)
- **Rough Surfaces** such as CMU: 6 ft² (0.6 m²) per 20 oz (0.6 L) sausage to give a wet film thickness of 40 mils (1 mm)

		Coverage (Linear Feet)					
		Wet Film Thickness (mils)					
		15	20	25	30	35	40
Width (inches)	1	201	150	120	100	86	75
	2	100	75	60	50	43	38
	3	67	50	40	33	29	25
	4	50	38	30	25	21	19
	5	40	30	24	20	17	15
	6	33	25	20	17	14	13
	12	17	13	10	8	7	6

Per 20 oz. (0.6L) sausages

		Coverage (Linear Meters)					
		Wet Film Thickness (mils)					
		15	20	25	30	35	40
Width (cm)	2.5	61.1	45.8	36.7	30.6	26.2	22.9
	5	30.6	22.9	18.3	15.3	13.1	11.5
	7.5	20.4	15.3	12.2	10.2	8.7	7.6
	10	15.3	11.5	9.2	7.6	6.5	5.7
	12.7	12.2	9.2	7.3	6.1	5.2	4.6
	15	10.2	7.6	6.1	5.1	4.4	3.8
	100	1.6	1.2	0.9	0.8	0.7	0.6

Per 20 oz. (0.6L) sausages

The above reference chart is based on theoretical coverage calculations for a smooth surface. Rough surfaces can reduce coverage rates significantly depending on texture and porosity of surface.

Limitations: **Air-Bloc® LF** can be exposed for up to 6 months but is not designed for permanent exposure to ultra-violet light and should be covered as soon as practical after application. Application at temperatures below 40°F (4°C) will slow curing. In low humidity conditions, curing may be aided by lightly misting **Air-Bloc® LF** with water.

Many silicone sealants show excellent adhesion to **Air-Bloc® LF**. Contact the sealant manufacturer for more information.

Packaging

20 oz (0.6 L) sausages

Storage

Shelf life of **Air-Bloc® LF** is 12 months in unopened containers when stored in dry conditions. Protect from weather or store in an enclosed area not subject to heat over 80°F (27°C). Packaging should always be kept sealed when not in use.

For more information, visit www.henry.com or for technical assistance call us at 800-486-1278. For more information on Henry's® product warranty and liability disclaimer please visit www.henry.com/warranty. Refer to the Safety Data Sheet prior to using this product. The Safety Data Sheet is available at www.henry.com or by emailing Henry® Product Support at productsupport@henry.com or by calling 800-486-1278.

® Henry and Air-Bloc are registered trademarks of Henry Company

The technical and application information herein is based on the present state of our best scientific and practical knowledge. As the information herein is of a general nature, no assumption can be made as to a product's suitability for a particular use or application and no warranty as to its accuracy, reliability or completeness either expressed or implied is given other than those required by law. The user is responsible for checking the suitability of products for their intended use. Henry® Company data sheets are updated on a regular basis; it is the user's responsibility to obtain and to confirm the most recent version. Information contained in this data sheet may change without notice.



TECHNICAL DATA SHEET
Blueskin® Butyl Flash
Self-Adhered Flashing

Physical Property	Typical Value	Test Method
Color	White	-
Thickness, nominal	19 mils (0.48 mm)	-
Application Temperature, min	+25° F (-4° C)	-
Service Temperature	-40° F to +180° F (-40° C to +82° C)	-
Elongation, min	825%	ASTM D882
Tensile Strength, min	2500 psi (17237 kPa)	ASTM D882
Low Temperature Flexibility @ -7° C (20° F)	Pass	ASTM D1970
Nail Sealability	Pass	ASTM D1970

Description

Blueskin® Butyl Flash is a self-adhered flashing consisting of a synthetic butyl compound which is integrally laminated to a white engineered polypropylene film surface. It is specifically designed to be self-adhered to a prepared substrate.

Features

- Impermeable to air, moisture vapor and water
- Easy self-adhered application
- Self-sealing when punctured
- Excellent cold weather adhesion
- Highly flexible making installation easy

Usage

Blueskin® Butyl Flash is designed for use as a concealed self-adhered flashing against water, air and moisture infiltration. **Blueskin® Butyl Flash** is commonly used to provide a weather tight seal around fenestrations, joints in sheathing, and as a general flashing in residential and commercial construction.

Application

Surface Prep: Substrates should be dry and clean of oil, dust, excess mortar and sharp protrusions. Concrete surfaces must be cured a minimum of 14 days. Acceptable substrates are precast concrete, cast-in-place concrete, concrete block, primed steel, aluminum mill finish, anodized aluminum, galvanized metal, gypsum board and wood. For best adhesion onto Oriented Strand Board (OSB), install the panel with the smooth side out. Strike masonry joints flush. Concrete surfaces must be smooth and without large voids, spalled areas or sharp protrusions. Where curing compounds are used, they must be clear resin-based without oil, wax or pigments.

For best possible adhesion results or when applying to concrete or masonry, apply **Blueskin® Spray Prep** or **Aquatac™** primer and allow to thoroughly dry before **Blueskin® Butyl Flash** is applied. Coated surfaces not covered by flashing during the working day must be recoated.

Apply: Position **Blueskin® Butyl Flash** for alignment with release paper in place; roll back, peel away release paper and press firmly over substrate. Apply pressure along entire surface once in place to ensure a strong bond. The best method to ensure full contact is to roll entire surface with a countertop roller. Orient laps in shingle fashion to shed water with a minimum of 50 mm (2") on both side and end laps. When using membrane with brick ties, position flashing, press in place and cut for ties or projections.

Limitations: **Blueskin® Butyl Flash** is designed for exposure of up to 150 days, but is not designed for permanent exposure to ultra-violet light and should be covered as soon as practical after application. It is compatible with rigid PVC/vinyl membranes as well as many sealants. For best results, use **Henry® 925 BES Sealant** for general use or **Henry® 212 Crystal Clear Sealant** as a termination sealant. Solvent based sealants should never be covered until fully cured.

Blueskin® Butyl Flash is not compatible with EPDM, flexible PVC, or similarly plasticized vinyl membranes.

Blueskin® Butyl Flash Self-Adhered Flashing

Packaging

4" x 75' (10 cm x 23 m)
6" x 75' (15.2 cm x 23 m)
9" x 75' (22.8 cm x 23 m)
12" x 75' (30.5 cm x 23 m)

Storage

Store rolls on end, in original packaging. Protect from weather or store in an enclosed area not subject to heat over 120° F (49° C).

For more information, visit www.henry.com or for technical assistance call us at 800-486-1278. For more information on Henry's® product warranty and liability disclaimer please visit www.henry.com/warranty. Refer to the Safety Data Sheet prior to using this product. The Safety Data Sheet is available at www.henry.com or by emailing Henry® Product Support at productsupport@henry.com or by calling 800-486-1278.

Henry and Blueskin are registered trademarks of Henry Company

The technical and application information herein is based on the present state of our best scientific and practical knowledge. As the information herein is of a general nature, no assumption can be made as to a product's suitability for a particular use or application and no warranty as to its accuracy, reliability or completeness either expressed or implied is given other than those required by law. The user is responsible for checking the suitability of products for their intended use. Henry® Company data sheets are updated on a regular basis; it is the user's responsibility to obtain and to confirm the most recent version. Information contained in this data sheet may change without notice.

Henry® Company, 999 N. Pacific Coast Hwy., Ste. 800 El Segundo, CA 90245
Tel: 800-486-1278 **Email:** techservices@henry.com
www.henry.com

Revision Date: 10/31/2018



Henry[®] 925 BES Sealant

Building Envelope Systems[®] Sealant

Physical Property	Typical Value	Test Method
Color	Black, Gray, White	-
Application Temperature (see Limitations)	10 °F to 110 °F (0 °C to 43 °C)	-
Service Temperature, cured	-40 °F to 180 °F (-40 °C to 82 °C)	-
Durometer Hardness	25 ±5 Shore A	ASTM D2240
Density	13 lbs/gal	-
Elongation, max	450-550%	ASTM D412
Dry Time	Initial Set: 60-90 min at 77 °F (25 °C) Set Through: 24 hours	-
Tensile Strength	150-200 psi	ASTM D412
Modulus	40-50% psi	-
VOC Content, max	5 g/L	EPA Method 24

Approvals and Certifications

- Meets ASTM C719 ± 35%
- Meets Fed Spec TT-S-00230C, Type II, Class A
- Meets ASTM C920 Type S, Grade NS, Class 35
- Granted SWR Institute Certificate of Validation

Description

Henry[®] 925 BES Sealant is a premium, moisture cure sealant for construction joints subject to dynamic joint movement. This one-part, low odor, moisture cure product provides excellent weathering resistance, flexibility, very low VOC, through use of a silyl-terminated polyether (STPE) polymer. Upon curing, it is paintable with latex based paints. This product is fully compatible with Henry[®] air barrier, flashing, roofing and waterproofing systems.

Usage

- Building envelope sealant for self-adhered air barriers
- External joint sealant for Henry[®] air barrier, waterproofing and roofing systems
- Alternative to silicone and moisture cure urethanes in above-grade construction applications
- Construction joints up to 1" (25 mm) width, subject to dynamic joint movement of ± 35%

Application

Surface Prep: Joints must be sound, smooth, uniform and free from defects and foreign materials. Joints must also be clean, dry, free of frost and all contaminants, such as curing compounds, sealers, or coatings. Sealant adhesion should be tested on each different substrate prior to use by applying a bead allowing to cure thoroughly. To test adhesive strength, pull one end of the bead.

Apply: Cut nozzle to desired bead size; puncture inner seal. Apply at a 45° angle while pushing sealant ahead of nozzle. The width of the joint should be a minimum of 4 times the anticipated movement. In joints up to ½" (13 mm) wide, the depth of the sealant should be equal to the width, but not less than ¼" (6 mm). In joints wider than ½" (13 mm), the depth should be maintained at ½" (13 mm). Maximum joint width for installation is 1" (25 mm). In vertical and horizontal joints, tooling is necessary to aid contact with the substrate and eliminate air bubbles.

Limitations: **Henry 925 BES Sealant** may be installed when substrate and air temperatures are as low as 10 °F. Application in temperatures between 10°F and 32°F may proceed only if the substrate is free of frost or ice. The product should not be applied in the rain or on wet surfaces; damp surfaces are acceptable.

If frost or ice is present on the substrate, it must be warmed to a temperature above 32 °F using hot air gun, heater, etc. to melt the frozen moisture. When installed in temperatures below 32 °F, an extended curing time is expected.

Prior to cold weather installation, **Henry 925 BES Sealant** should be stored at room temperatures above 35 °F for a minimum of 24 hours, to improve application and tooling.

925 BES Sealant Building Envelope System Sealant

Clean-up

Clean hands and equipment with biodegradable terpene solvent such as citrus-based hand cleaner.

Packaging

10.3 oz cartridge
20 oz sausage
2 gallon bucket

Storage

Henry 925 BES Sealant has a shelf life of 12 months from date of manufacture when stored in original unopened container at or below 80 °F (27 °C). Containers should always be kept sealed when not in use.

For more information, visit www.henry.com or for technical assistance call us at 800-486-1278. For more information on Henry's® product warranty and liability disclaimer please visit www.henry.com/warranty. Refer to the Safety Data Sheet prior to using this product. The Safety Data Sheet is available at www.henry.com or by emailing Henry® Product Support at productsupport@henry.com or by calling 800-486-1278.

® Henry and Building Envelope Systems are registered trademarks of Henry Company

The technical and application information herein is based on the present state of our best scientific and practical knowledge. As the information herein is of a general nature, no assumption can be made as to a product's suitability for a particular use or application and no warranty as to its accuracy, reliability or completeness either expressed or implied is given other than those required by law. The user is responsible for checking the suitability of products for their intended use. Henry® Company data sheets are updated on a regular basis; it is the user's responsibility to obtain and to confirm the most recent version. Information contained in this data sheet may change without notice.

Issue Date 25-Mar-2016

Revision Date 25-Mar-2016

Version 1

1. IDENTIFICATION

Product identifier

Product Name Air-Bloc 17MR

Other means of identification

Product Code HE017

Synonyms None

Recommended use of the chemical and restrictions on use

Recommended Use Coatings

Uses advised against No information available

Details of the supplier of the safety data sheet

Manufacturer Address

HENRY COMPANY

999 N. Sepulveda Blvd., Suite 800

El Segundo, CA 90245-2716

Web Site: www.henry.com www.ca.henry.com

Emergency telephone number

Company Phone Number 800-486-1278

Emergency Telephone CHEMTREC: 800-424-9300

CHEMTREC: 703-527-3887

CANUTEC: 613-966-6666

2. HAZARDS IDENTIFICATION

Classification

OSHA Regulatory Status

This chemical is considered hazardous by the 2012 OSHA Hazard Communication Standard (29 CFR 1910.1200)

Skin corrosion/irritation	Category 2
Serious eye damage/eye irritation	Category 2A
Specific target organ toxicity (single exposure)	Category 3

Label elements

Warning

Emergency Overview

Hazard statements

Causes skin irritation

Causes serious eye irritation

May cause respiratory irritation



Appearance viscous cream**Physical state** liquid**Odor** Slight**Precautionary Statements - Prevention**

Wash face, hands and any exposed skin thoroughly after handling
 Wear protective gloves/protective clothing/eye protection/face protection
 Avoid breathing dust/fume/gas/mist/vapors/spray
 Use only outdoors or in a well-ventilated area

Precautionary Statements - Response

IF IN EYES: Rinse cautiously with water for several minutes. Remove contact lenses, if present and easy to do. Continue rinsing
 If eye irritation persists: Get medical advice/attention
 IF ON SKIN: Wash with plenty of soap and water
 If skin irritation occurs: Get medical advice/attention
 Take off contaminated clothing and wash before reuse
 IF INHALED: Remove victim to fresh air and keep at rest in a position comfortable for breathing
 Call a POISON CENTER or doctor/physician if you feel unwell

Precautionary Statements - Storage

Store in a well-ventilated place. Keep container tightly closed
 Store locked up

Precautionary Statements - Disposal

Dispose of contents/container to an approved waste disposal plant

Hazards not otherwise classified (HNOC)

Not applicable

Other Information

Toxic to aquatic life with long lasting effects. Toxic to aquatic life.

Unknown acute toxicity

28.19223275% of the mixture consists of ingredient(s) of unknown toxicity

3. COMPOSITION/INFORMATION ON INGREDIENTS

Substance

Not applicable

Mixture

Chemical Name	CAS No	Weight-%
Water *	7732-18-5	15 - 40
Limestone *	1317-65-3	15 - 40
Acrylic polymer *	Proprietary	10 - 30
Asphalt *	8052-42-4	1 - 5
Ethylene glycol *	107-21-1	1 - 5
Non-phthalate Plasticizer *	Proprietary	1 - 5
Titanium dioxide *	13463-67-7	1 - 5
Diethylene glycol monobutyl ether *	112-34-5	1 - 5

*The exact percentage (concentration) of composition has been withheld as a trade secret.

4. FIRST AID MEASURES

Description of first aid measures**General advice**

In case of accident or unwellness, seek medical advice immediately (show directions for use or safety data sheet if possible). If symptoms persist, call a physician.

Eye contact

Keep eye wide open while rinsing. Immediately flush with plenty of water. After initial

	flushing, remove any contact lenses and continue flushing for at least 15 minutes. If symptoms persist, call a physician.
Skin contact	Wash off immediately with soap and plenty of water while removing all contaminated clothes and shoes. If symptoms persist, call a physician. Wash contaminated clothing before reuse.
Inhalation	Remove to fresh air. If breathing is irregular or stopped, administer artificial respiration. Avoid direct contact with skin. Use barrier to give mouth-to-mouth resuscitation. If symptoms persist, call a physician.
Ingestion	Call a physician or poison control center immediately. Do not induce vomiting without medical advice. Rinse mouth. Never give anything by mouth to an unconscious person.
Self-protection of the first aider	Use personal protective equipment as required.

Most important symptoms and effects, both acute and delayed

Symptoms	May cause redness and tearing of the eyes. Coughing and/ or wheezing. May cause skin irritation.
-----------------	--

Indication of any immediate medical attention and special treatment needed

Note to physicians	Treat symptomatically.
---------------------------	------------------------

5. FIRE-FIGHTING MEASURES

Suitable extinguishing media

Use extinguishing measures that are appropriate to local circumstances and the surrounding environment. Dry chemical, CO₂, sand, earth, water spray or regular foam.

Unsuitable extinguishing media No information available.

Specific hazards arising from the chemical

Thermal decomposition can lead to release of irritating and toxic gases and vapors.

Explosion data

Sensitivity to Mechanical Impact None.

Sensitivity to Static Discharge None.

Protective equipment and precautions for firefighters

As in any fire, wear self-contained breathing apparatus pressure-demand, MSHA/NIOSH (approved or equivalent) and full protective gear.

6. ACCIDENTAL RELEASE MEASURES

Personal precautions, protective equipment and emergency procedures

Personal precautions	Ensure adequate ventilation, especially in confined areas. Use personal protective equipment as required. Avoid contact with skin, eyes or clothing.
-----------------------------	--

Environmental precautions

Environmental precautions	Prevent entry into waterways, sewers, basements or confined areas. Do not flush into surface water or sanitary sewer system.
----------------------------------	--

Methods and material for containment and cleaning up

Methods for containment	Prevent further leakage or spillage if safe to do so.
--------------------------------	---

Methods for cleaning up	Use personal protective equipment as required. Cover liquid spill with sand, earth or other non-combustible absorbent material. Dam up. Take up mechanically, placing in appropriate
--------------------------------	--

containers for disposal. Clean contaminated surface thoroughly.

7. HANDLING AND STORAGE

Precautions for safe handling

Advice on safe handling

Avoid contact with skin, eyes or clothing. Use personal protective equipment as required. Wash contaminated clothing before reuse. Do not breathe dust/fume/gas/mist/vapors/spray. Do not eat, drink or smoke when using this product.

Conditions for safe storage, including any incompatibilities

Storage Conditions

Keep container tightly closed in a dry and well-ventilated place. Keep out of the reach of children.

Incompatible materials

Strong oxidizing agents. Strong acids. Strong bases.

8. EXPOSURE CONTROLS/PERSONAL PROTECTION

Control parameters

Exposure Guidelines

Chemical Name	ACGIH TLV	OSHA PEL	NIOSH IDLH
Limestone 1317-65-3	-	TWA: 15 mg/m ³ total dust TWA: 5 mg/m ³ respirable fraction	TWA: 10 mg/m ³ total dust TWA: 5 mg/m ³ respirable dust
Asphalt 8052-42-4	TWA: 0.5 mg/m ³ benzene soluble aerosol fume, inhalable fraction	-	Ceiling: 5 mg/m ³ fume 15 min
Ethylene glycol 107-21-1	Ceiling: 100 mg/m ³ aerosol only	-	-
Titanium dioxide 13463-67-7	TWA: 10 mg/m ³	TWA: 15 mg/m ³ total dust	IDLH: 5000 mg/m ³
Diethylene glycol monobutyl ether 112-34-5	TWA: 10 ppm inhalable fraction and vapor	-	-

NIOSH IDLH *Immediately Dangerous to Life or Health*

Appropriate engineering controls

Engineering Controls

Showers
Eyewash stations
Ventilation systems.

Individual protection measures, such as personal protective equipment

Eye/face protection

Wear safety glasses with side shields (or goggles).

Skin and body protection

Wear protective gloves and protective clothing.

Respiratory protection

If exposure limits are exceeded or irritation is experienced, NIOSH/MSHA approved respiratory protection should be worn. Positive-pressure supplied air respirators may be required for high airborne contaminant concentrations. Respiratory protection must be provided in accordance with current local regulations.

General Hygiene Considerations

Handle in accordance with good industrial hygiene and safety practice.

9. PHYSICAL AND CHEMICAL PROPERTIES

Information on basic physical and chemical properties

Physical state

liquid

Appearance

viscous cream

Color

Light gray

Odor

Slight

Odor threshold

No information available

<u>Property</u>	<u>Values</u>	<u>Remarks • Method</u>
pH	6-9	
Melting point / freezing point	<= 0 °C / 32 °F	
Boiling point / boiling range	> 100 °C / 212 °F	
Flash point	> 100 °C / 212 °F	Pensky-Martens Closed Cup (PMCC)
Evaporation rate	>= 1	
Flammability (solid, gas)	No information available	
Flammability Limit in Air		
Upper flammability limit:	No information available	
Lower flammability limit:	No information available	
Vapor pressure	18 mmHg	@ 25 °C
Vapor density	No information available	
Relative density	1.1-1.3	
Water solubility	dispersible	
Solubility in other solvents	No information available	
Partition coefficient	No information available	
Autoignition temperature	No information available	
Decomposition temperature	No information available	
Kinematic viscosity	> 100 mm ² /s	@ 40 °C
Dynamic viscosity	No information available	
Explosive properties	Not an explosive	
Oxidizing properties	Not applicable	

Other Information

Softening point	No information available
Molecular weight	No information available
VOC Content (%)	No information available
Density	No information available
Bulk density	No information available

10. STABILITY AND REACTIVITY**Reactivity**

No data available

Chemical stability

Stable under recommended storage conditions.

Possibility of Hazardous Reactions

None under normal processing.

Conditions to avoid

Elevated Temperature. Keep from freezing. Incompatible materials.

Incompatible materials

Strong oxidizing agents. Strong acids. Strong bases.

Hazardous Decomposition Products

Thermal decomposition can lead to release of irritating and toxic gases and vapors.

11. TOXICOLOGICAL INFORMATION**Information on likely routes of exposure****Product Information**

Inhalation	May cause irritation of respiratory tract.
Eye contact	Irritating to eyes.
Skin contact	Irritating to skin.
Ingestion	No data available.

Chemical Name	Oral LD50	Dermal LD50	Inhalation LC50

Water 7732-18-5	> 90 mL/kg (Rat)	-	-
Asphalt 8052-42-4	> 5000 mg/kg (Rat)	> 2000 mg/kg (Rabbit)	-
Ethylene glycol 107-21-1	= 4700 mg/kg (Rat)	= 10600 mg/kg (Rat) = 9530 µL/kg (Rabbit)	-
Titanium dioxide 13463-67-7	> 10000 mg/kg (Rat)	-	-
Diethylene glycol monobutyl ether 112-34-5	= 5660 mg/kg (Rat)	= 2700 mg/kg (Rabbit)	-

Information on toxicological effects

Symptoms May cause redness and tearing of the eyes. Coughing and/ or wheezing. May cause skin irritation.

Delayed and immediate effects as well as chronic effects from short and long-term exposure

Sensitization No information available.
Germ cell mutagenicity No information available.
Carcinogenicity This product contains titanium dioxide which is classified as a possible carcinogen when present as respirable dust. This is not relevant for this product since it is a liquid. The table below indicates whether each agency has listed any ingredient as a carcinogen.

Chemical Name	ACGIH	IARC	NTP	OSHA
Asphalt 8052-42-4	-	Group 2B	-	X
Titanium dioxide 13463-67-7	-	Group 2B	-	X

IARC (International Agency for Research on Cancer)

Group 2B - Possibly Carcinogenic to Humans

OSHA (Occupational Safety and Health Administration of the US Department of Labor)

X - Present

Reproductive toxicity No information available.
STOT - single exposure Target Organs. Respiratory system. Eyes.
STOT - repeated exposure No information available.
Target Organ Effects Eyes, lungs, Respiratory system, Skin, Central nervous system.
Aspiration hazard No information available.

Numerical measures of toxicity - Product Information

The following values are calculated based on chapter 3.1 of the GHS document .

ATEmix (oral) 10,348.00 mg/kg

12. ECOLOGICAL INFORMATION**Ecotoxicity**

Very toxic to aquatic life with long lasting effects None known

99.58198 % of the mixture consists of components(s) of unknown hazards to the aquatic environment

Persistence and degradability

No information available.

Bioaccumulation

Chemical Name	Partition coefficient
Asphalt 8052-42-4	6
Ethylene glycol 107-21-1	-1.93

Other adverse effects

No information available

13. DISPOSAL CONSIDERATIONS

Waste treatment methods

Disposal of wastes Disposal should be in accordance with applicable regional, national and local laws and regulations.

Contaminated packaging Do not reuse container.

14. TRANSPORT INFORMATION

DOT Not regulated

TDG Not regulated

IATA Not regulated

IMDG Not regulated

15. REGULATORY INFORMATION

International Inventories

TSCA	Complies
DSL/NDSL	Complies
EINECS/ELINCS	Complies
IECSC	Complies
KECL	Complies
PICCS	Complies
AICS	Complies

Legend:

TSCA - United States Toxic Substances Control Act Section 8(b) Inventory

DSL/NDSL - Canadian Domestic Substances List/Non-Domestic Substances List

EINECS/ELINCS - European Inventory of Existing Chemical Substances/European List of Notified Chemical Substances

ENCS - Japan Existing and New Chemical Substances

IECSC - China Inventory of Existing Chemical Substances

KECL - Korean Existing and Evaluated Chemical Substances

PICCS - Philippines Inventory of Chemicals and Chemical Substances

AICS - Australian Inventory of Chemical Substances

US Federal Regulations

SARA 313

Section 313 of Title III of the Superfund Amendments and Reauthorization Act of 1986 (SARA). This product contains a chemical or chemicals which are subject to the reporting requirements of the Act and Title 40 of the Code of Federal Regulations, Part 372

Chemical Name	SARA 313 - Threshold Values %
Ethylene glycol - 107-21-1	1.0
Diethylene glycol monobutyl ether - 112-34-5	1.0

SARA 311/312 Hazard Categories

Acute health hazard	Yes
Chronic Health Hazard	No
Fire hazard	No
Sudden release of pressure hazard	No
Reactive Hazard	No

CWA (Clean Water Act)

This product does not contain any substances regulated as pollutants pursuant to the Clean Water Act (40 CFR 122.21 and 40

CFR 122.42)

CERCLA

This material, as supplied, contains one or more substances regulated as a hazardous substance under the Comprehensive Environmental Response Compensation and Liability Act (CERCLA) (40 CFR 302)

Chemical Name	Hazardous Substances RQs	CERCLA/SARA RQ	Reportable Quantity (RQ)
Ethylene glycol 107-21-1	5000 lb	-	RQ 5000 lb final RQ RQ 2270 kg final RQ

US State Regulations**California Proposition 65**

This product contains the following Proposition 65 chemicals

Chemical Name	California Proposition 65
Ethylene glycol - 107-21-1	Developmental
Titanium dioxide - 13463-67-7	Carcinogen
Quartz - 14808-60-7	Carcinogen

U.S. State Right-to-Know Regulations

Chemical Name	New Jersey	Massachusetts	Pennsylvania
Limestone 1317-65-3	X	X	X
Asphalt 8052-42-4	X	X	X
Ethylene glycol 107-21-1	X	X	X
Titanium dioxide 13463-67-7	X	X	X
Diethylene glycol monobutyl ether 112-34-5	X	-	X
Sulfur 7704-34-9	X	X	X
Quartz 14808-60-7	X	X	X

U.S. EPA Label Information

EPA Pesticide Registration Number Not applicable

16. OTHER INFORMATION, INCLUDING DATE OF PREPARATION OF THE LAST REVISION

NFPA	Health hazards 2	Flammability 0	Instability 0	Physical and Chemical Properties -
HMIS	Health hazards 2	Flammability 0	Physical hazards 0	Personal protection X

Issue Date 25-Mar-2016

Revision Date 25-Mar-2016

Revision Note

No information available

Disclaimer

The information provided in this Material Safety Data Sheet is correct to the best of our knowledge, information and belief at the date of its publication. The information given is designed only as a guidance for safe handling, use, processing, storage, transportation, disposal and release and is not to be considered a warranty or quality specification. The information relates only to the specific material designated and may not be valid for such material used in combination with any other materials or in any process, unless specified in the text.

End of Safety Data Sheet

CLASSIFICATION: 07 27 26.00

PRODUCT DESCRIPTION: AIR-BLOC® 17MR IS A LIQUID APPLIED, ELASTOMERIC MEMBRANE DESIGNED TO PROVIDE A VAPOR PERMEABLE AIR & WATER BARRIER WHEN APPLIED TO ABOVE-GRADE WALL ASSEMBLIES. IT IS SINGLE-COMPONENT, WATER-BASED AND CURES TO A TOUGH MONOLITHIC RUBBER-LIKE MEMBRANE, WHICH RESISTS AIR LEAKAGE AND WATER PENETRATION. AIR-BLOC® 17MR ALSO INCLUDES A HENRY ANTIMICROBIAL TECHNOLOGY TO CREATE AN INTEGRAL MOLD RESISTANT MEMBRANE, A BROAD APPLICATION TEMPERATURE RANGE AND A HENRY PROPRIETARY FIRE RESISTANCE TECHNOLOGY TO ACHIEVE COMPLIANCE WITH STRINGENT NFPA 285 REQUIREMENTS.

Section 1: Summary

CONTENT INVENTORY

Threshold per material	Residuals and impurities considered in 1 of 1 materials
<input checked="" type="radio"/> 100 ppm	<input checked="" type="radio"/> see Section 2:
<input type="radio"/> 1,000 ppm	Material Notes
<input type="radio"/> Per GHS SDS	<input checked="" type="radio"/> see Section 5:
<input type="radio"/> Per OSHA MSDS	General Notes
<input type="radio"/> Other	

Based on the selected Content Inventory Threshold:

Characterized.....	<input checked="" type="radio"/> Yes	<input type="radio"/> No
Are the Percent Weight and Role provided for all substances?	<input checked="" type="radio"/> Yes	<input type="radio"/> No
Screened.....	<input checked="" type="radio"/> Yes	<input type="radio"/> No
Are all substances screened using Priority Hazard Lists with results disclosed?	<input checked="" type="radio"/> Yes	<input type="radio"/> No
Identified.....	<input checked="" type="radio"/> Yes	<input type="radio"/> No
Are all substances disclosed by Name (Specific or Generic) and Identifier?	<input checked="" type="radio"/> Yes	<input type="radio"/> No

CONTENT IN DESCENDING ORDER OF QUANTITY

Summary of product contents and results from screening individual chemical substances against HPD Priority Hazard Lists and the GreenScreen for Safer Chemicals®. The HPD does not assess whether using or handling this product will expose individuals to its chemical substances or any health risk. Refer to Section 2 for further details.

MATERIAL | SUBSTANCE | RESIDUAL OR IMPURITY
GREENSCREEN SCORE | HAZARD TYPE

AB 17MR [WATER **BM-4** LIMESTONE; CALCIUM CARBONATE **LT-UNK** 2-PROPENOIC ACID, POLYMER WITH BUTYL 2-PROPENOATE AND ETHENYLBENZENE **LT-UNK** ASPHALT **LT-1** | CAN ETHYLENE GLYCOL **BM-1** | MAM | DEV | END FATTY ACIDS, SOYA, EPOXIDIZED, ME ESTERS **LT-UNK** TITANIUM DIOXIDE **LT-1** | CAN 2-(2-BUTOXYETHOXY)ETHANOL **LT-UNK** | EYE SULFUR **LT-UNK** | SKI QUARTZ **LT-1** | CAN]

Number of Greenscreen BM-4/BM3 contents..... 1
Contents highest concern GreenScreen Benchmark or List translator Score..... BM-1
Nanomaterial..... No

INVENTORY AND SCREENING NOTES:

VOLATILE ORGANIC COMPOUND (VOC) CONTENT

Material (g/l): Regulatory (g/l): 100
Does the product contain exempt VOCs: No
Are ultra-low VOC tints available: N/A

CERTIFICATIONS AND COMPLIANCE

No certifications have been added to this HPD.

<input checked="" type="radio"/> Self-Published*	VERIFIER:	SCREENING DATE: January 29, 2017	EXPIRY DATE*: January 29, 2020
<input type="radio"/> Third Party Verified	VERIFICATION #:	RELEASE DATE: January 29, 2017	* or within 3 months of significant change in product contents

*See HPDC website for details



Section 2: Content in Descending Order of Quantity

This section lists materials in a product and the substances in each material based on the Inventory Threshold for each material. If residuals or impurities from the manufacturing or extraction processes are considered for a material, these are inventoried and characterized to the extent described in the Material and/or General Notes. Chemical substances are screened against the HPD Priority Hazard Lists for human and environmental health impacts. Screening is based on best available information; "Not Found" does not necessarily mean there is no potential hazard associated with the product or its contents. More information about Priority Hazard Lists and the GreenScreen can be found online: www.hpd-collaborative.org and www.greenscreenchemicals.org.

AB 17MR

HPD URL: %: 100.0000 - 100.0000

Inventory Threshold: 100 ppm

Residuals Considered: Yes

Material Notes:

WATER

ID: 7732-18-5

%: 30.0000 - 40.0000

GS: BM-4

RC: None

NANO: NO

ROLE: Solvent

HAZARDS:

AGENCY(IES) WITH WARNINGS:

None Found

No warnings found on HPD Priority lists

SUBSTANCE NOTES:

LIMESTONE; CALCIUM CARBONATE

ID: 1317-65-3

%: 25.0000 - 35.0000

GS: LT-UNK

RC: None

NANO: NO

ROLE: Filler/film strengthener

HAZARDS:

AGENCY(IES) WITH WARNINGS:

None Found

No warnings found on HPD Priority lists

SUBSTANCE NOTES:

2-PROPENOIC ACID, POLYMER WITH BUTYL 2-PROPENOATE AND ETHENYLBENZENE

ID: 25586-20-3

%: 15.0000 - 25.0000

GS: LT-UNK

RC: None

NANO: NO

ROLE: Waterproofing polymer

HAZARDS:

AGENCY(IES) WITH WARNINGS:

None Found

No warnings found on HPD Priority lists

SUBSTANCE NOTES:

ASPHALT

ID: 8052-42-4

%: 1.0000 - 5.0000

GS: LT-1

RC: None

NANO: NO

ROLE: Flexibility

HAZARDS:

AGENCY(IES) WITH WARNINGS:

CANCER	IARC	Group 2b - Possibly carcinogenic to humans
CANCER	US CDC - Occupational Carcinogens	Occupational Carcinogen
CANCER	MAK	Carcinogen Group 2 - Considered to be carcinogenic for man

SUBSTANCE NOTES: Not used in road paving applications (not classified as a carcinogen by IARC)

ETHYLENE GLYCOL

ID: 107-21-1

%: 1.0000 - 5.0000

GS: BM-1

RC: None

NANO: NO

ROLE: Coalescing agent

HAZARDS:

AGENCY(IES) WITH WARNINGS:

MAMMALIAN	EU - R-phrases	R22 - Harmful if Swallowed
DEVELOPMENTAL	CA EPA - Prop 65	Developmental toxicity
DEVELOPMENTAL	US NIH - Reproductive & Developmental Monographs	Clear Evidence of Adverse Effects - Developmental Toxicity
ENDOCRINE	TEDX - Potential Endocrine Disruptors	Potential Endocrine Disruptor

SUBSTANCE NOTES:

FATTY ACIDS, SOYA, EPOXIDIZED, ME ESTERS

ID: 68082-35-9

%: 1.0000 - 5.0000

GS: LT-UNK

RC: None

NANO: NO

ROLE: Plasticizer

HAZARDS:

AGENCY(IES) WITH WARNINGS:

None Found	No warnings found on HPD Priority lists	
------------	---	--

SUBSTANCE NOTES:

TITANIUM DIOXIDE

ID: 13463-67-7

%: 1.0000 - 5.0000

GS: LT-1

RC: None

NANO: NO

ROLE: Pigment

HAZARDS:

AGENCY(IES) WITH WARNINGS:

CANCER	US CDC - Occupational Carcinogens	Occupational Carcinogen
CANCER	CA EPA - Prop 65	Carcinogen - specific to chemical form or exposure route

CANCER	IARC	Group 2B - Possibly carcinogenic to humans - inhaled from occupational sources
--------	------	--

CANCER	MAK	Carcinogen Group 3A - Evidence of carcinogenic effects but not sufficient to establish MAK/BAT value
--------	-----	--

SUBSTANCE NOTES:

2-(2-BUTOXYETHOXY)ETHANOL	ID: 112-34-5
---------------------------	--------------

%: 1.0000 - 5.0000	GS: LT-UNK	RC: None	NANO: NO	ROLE: Solvent
--------------------	------------	----------	----------	---------------

HAZARDS:	AGENCY(IES) WITH WARNINGS:
-----------------	-----------------------------------

EYE IRRITATION	EU - R-phrases	R36 - Irritating to eyes
----------------	----------------	--------------------------

EYE IRRITATION	EU - GHS (H-Statements)	H319 - Causes serious eye irritation
----------------	-------------------------	--------------------------------------

SUBSTANCE NOTES:

SULFUR	ID: 7704-34-9
--------	---------------

%: Impurity/Residual	GS: LT-UNK	RC: None	NANO: NO	ROLE: Impurity/Residual
----------------------	------------	----------	----------	-------------------------

HAZARDS:	AGENCY(IES) WITH WARNINGS:
-----------------	-----------------------------------

SKIN IRRITATION	EU - R-phrases	R38 - Irritating to skin
-----------------	----------------	--------------------------

SKIN IRRITATION	EU - GHS (H-Statements)	H315 - Causes skin irritation
-----------------	-------------------------	-------------------------------

SUBSTANCE NOTES:

QUARTZ	ID: 14808-60-7
--------	----------------

%: Impurity/Residual	GS: LT-1	RC: None	NANO: NO	ROLE: Impurity/Residual
----------------------	----------	----------	----------	-------------------------

HAZARDS:	AGENCY(IES) WITH WARNINGS:
-----------------	-----------------------------------

CANCER	US CDC - Occupational Carcinogens	Occupational Carcinogen
--------	-----------------------------------	-------------------------

CANCER	CA EPA - Prop 65	Carcinogen - specific to chemical form or exposure route
--------	------------------	--

CANCER	IARC	Group 1: Agent is carcinogenic to humans - inhaled from occupational sources
--------	------	--

CANCER	US NIH - Report on Carcinogens	Known to be Human Carcinogen (respirable size - occupational setting)
--------	--------------------------------	---

CANCER	MAK	Carcinogen Group 1 - Substances that cause cancer in man
--------	-----	--

Section 3: Certifications and Compliance

This section lists applicable certification and standards compliance information for VOC emissions and VOC content. Other types of health or environmental performance testing or certifications completed for the product may be provided.

Section 4: Accessories

This section lists related products or materials that the manufacturer requires or recommends for installation (such as adhesives or fasteners), maintenance, cleaning, or operations. For information relating to the contents of these related products, refer to their applicable Health Product Declarations, if available.

Section 5: General Notes



MANUFACTURER INFORMATION

MANUFACTURER: Henry Company

CONTACT NAME: Whitney Randall

ADDRESS: 999 N. Sepulveda Blvd
Suite 800
El Segundo, CA 90245
USA

TITLE: Director, Regulatory Compliance Systems

PHONE: 484-447-1247

WEBSITE: www.henry.com

EMAIL: wrandall@henry.com

KEY

OSHA MSDS Occupational Safety and Health Administration Material Safety Data Sheet

GHS SDS Globally Harmonized System of Classification and Labeling of Chemicals Safety Data Sheet

Hazard Types

AQU Aquatic toxicity

GLO Global warming

PHY Physical Hazard (reactive)

CAN Cancer

MAM Mammalian/systemic/organ toxicity

REP Reproductive toxicity

DEV Developmental toxicity

MUL Multiple hazards

RES Respiratory sensitization

END Endocrine activity

NEU Neurotoxicity

SKI Skin sensitization/irritation/corrosivity

EYE Eye irritation/corrosivity

OZO Ozone depletion

LAN Land Toxicity

GEN Gene mutation

PBT Persistent Bioaccumulative Toxic

NF Not found on Priority Hazard Lists

GreenScreen (GS)

BM-4 Benchmark 4 (prefer-safer chemical)

LT-P1 List Translator Possible Benchmark 1

BM-3 Benchmark 3 (use but still opportunity for improvement) BM-2 Benchmark 2 (use but search for safer substitutes)

LT-1 List Translator Likely Benchmark 1

BM-1 Benchmark 1 (avoid - chemical of high concern)

LT-UNK List Translator Benchmark Unknown (insufficient information from List Translator lists to benchmark)

BM-U Benchmark Unspecified (insufficient data to benchmark)

UNK Unknown (no data on List Translator Lists)

Recycled Types

PreC Preconsumer (Post-Industrial)

PostC Postconsumer

Both Both Preconsumer and Postconsumer

Unk Inclusion of recycled content is unknown

None Does not include recycled content

Other

Nano Composed of nanoscale particles or nanotechnology

Declaration Level

Self-declared Manufacturer's self-declaration (First Party)

Independent Lab Manufacturer's self-declaration using results from an independent lab

Second Party Verification by trade association or other interested party

Third Party Verification by independent certifier

Applicable facilities Manufacturing sites to which testing applies

The Health Product Declaration (HPD) Open Standard provides for the disclosure of product contents and potential associated human and environmental health hazards. Hazard associations are based on the HPD Priority Hazard Lists, the GreenScreen List Translator, and when available, full GreenScreen assessments. The HPD Open Standard does not provide an assessment of health impacts throughout the product life cycle. It does not provide an assessment of exposure or risk associated with product handling or use. It also does not address potential health impacts of: (i) substances used or created during the manufacturing process unless they remain in the final product, or (ii) substances created after the product is delivered for end use (e.g., if the product burns, degrades, or otherwise changes chemical composition).

The HPD Open Standard was created and is maintained and evolved by the Health Product Declaration Collaborative (the HPD Collaborative), a customer-led organization composed of stakeholders throughout the building industry. The HPD Collaborative is committed to the continuous improvement of building products through transparency, openness, and innovation throughout the product supply chain.

A disclosure completed in compliance with the HPD Open Standard is referred to as a "Health Product Declaration," or "HPD." The product manufacturer and any applicable independent verifier are solely responsible for the accuracy of statements and claims made in this HPD and for compliance with the HPD Open Standard noted.

Declare.

Air-Bloc 17MR Henry Company

Final Assembly: Scarborough, Ontario, Canada

Life Expectancy: Life of Structure Year(s)

End of Life Options: Landfill (100%)

EU CoC Screened: Does Not Contain

Ingredients:

Calcium Carbonate; Water; Acrylic copolymer; Asphalt; Ethanol, 2-(2-butoxyethoxy)-; Ethylene glycol; Fatty acids, soya, epoxidized, Me esters; Titanium dioxide

Living Building Challenge Criteria:

I-13 Red List:

- | | |
|---|-----------------------------|
| <input checked="" type="checkbox"/> LBC Red List Free | % Disclosed: 100% at 100ppm |
| <input type="checkbox"/> LBC Red List Approved | VOC Content: 50 max g/L |
| <input type="checkbox"/> Declared | |

I-10 Interior Performance: Not Applicable

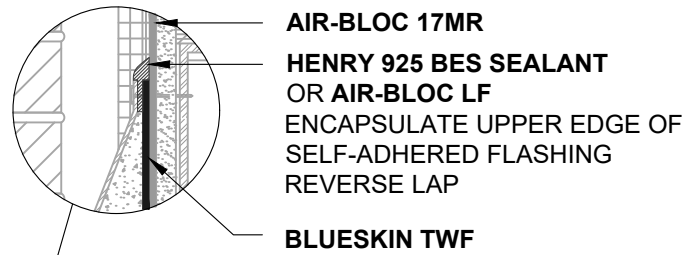
I-14 Responsible Sourcing: Not Compliant

HCO-0006

EXP. 01 APR 2022

SCREENED: 31 MAR 2021

Original Issue Date: 2019



FLASHING INSTALLED AFTER WRB
REVERSE LAP

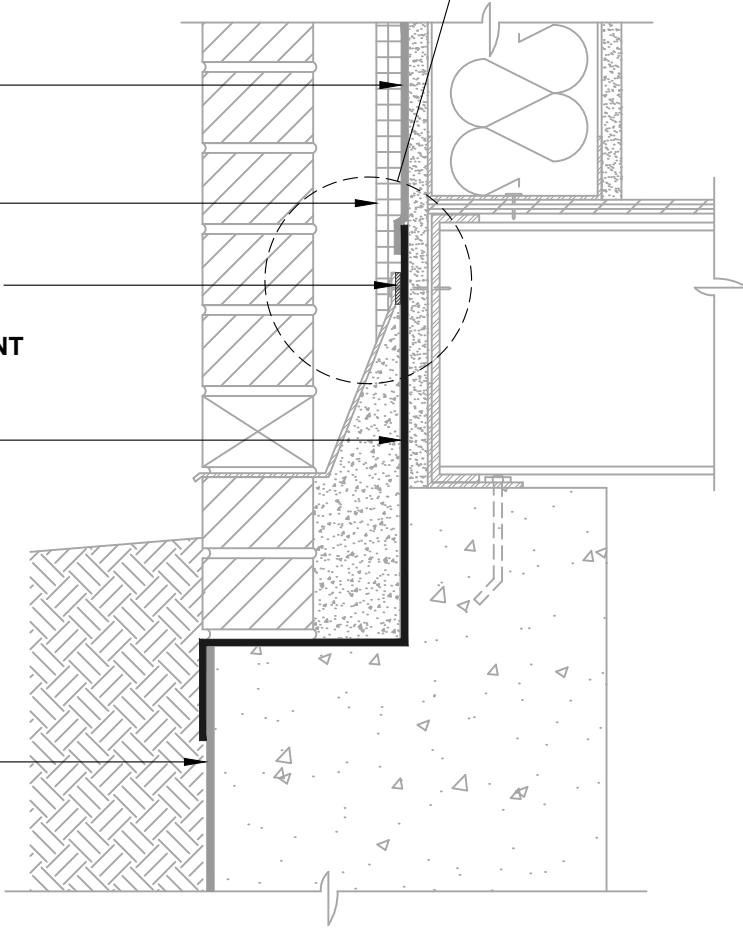
AIR-BLOC 17MR
LAP AIR BARRIER
1" ONTO FLASHING

OPTIONAL INSULATION

SET TERMINATION BAR
IN A BED OF
HENRY 925 BES SEALANT

BLUESKIN TWF

HENRY BELOW GRADE
WATERPROOFING
(CONTACT HENRY FOR
PROJECT SPECIFIC
RECOMMENDATIONS)



NOTES:

1. DETAIL SHOWS **AIR-BLOC 17MR FLUID APPLIED VAPOR PERMEABLE AIR BARRIER**. SUBSTRATE SHOWN IS FOR REFERENCE ONLY. ACCEPTABLE SUBSTRATES INCLUDE PLYWOOD, OSB, CONCRETE, CMU, METAL, AND EXTERIOR GRADE SHEATHING.
2. INSTALL **AIR-BLOC 17MR** TO ACHIEVE A CONTINUOUS WATER-RESISTIVE BARRIER (WRB). OPTIONAL VAPOR BARRIER NOT SHOWN FOR CLARITY. REFER TO LOCAL CODE ORDINANCES FOR INSULATION AND VAPOR BARRIER REQUIREMENTS.
3. REFER TO PRODUCT SPECIFIC TECHNICAL DATA SHEET (TDS) AND **AIR-BLOC 17MR** GUIDE SPECIFICATION FOR INSTALLATION PROCEDURES.



999 N. Pacific Coast Highway, Suite 800
El Segundo, CA 90245
800-486-1278 • www.henry.com

MANUFACTURER GUIDE DETAILS ARE FOR REFERENCE ONLY. HENRY DOES NOT ASSUME RESPONSIBILITY FOR ERRORS OR DEVIATIONS IN DESIGN OR ENGINEERING. PROJECT SPECIFIC VERIFICATION IS RECOMMENDED PRIOR TO INSTALLATION.

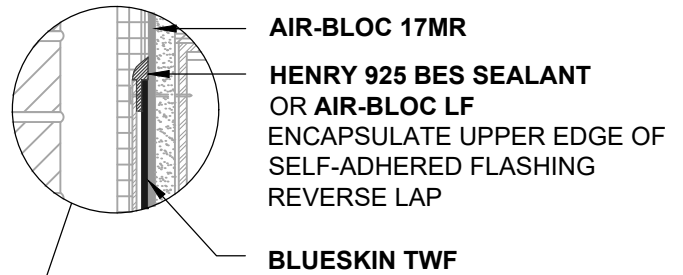
AIR-BLOC 17MR FLUID APPLIED VAPOR PERMEABLE AIR BARRIER

WALL FOUNDATION
EXTERIOR WALL AND FOUNDATION TRANSITION
SLAB BELOW GRADE WITH MASONRY LEDGE

SCALE: N.T.S.

03-05-2020

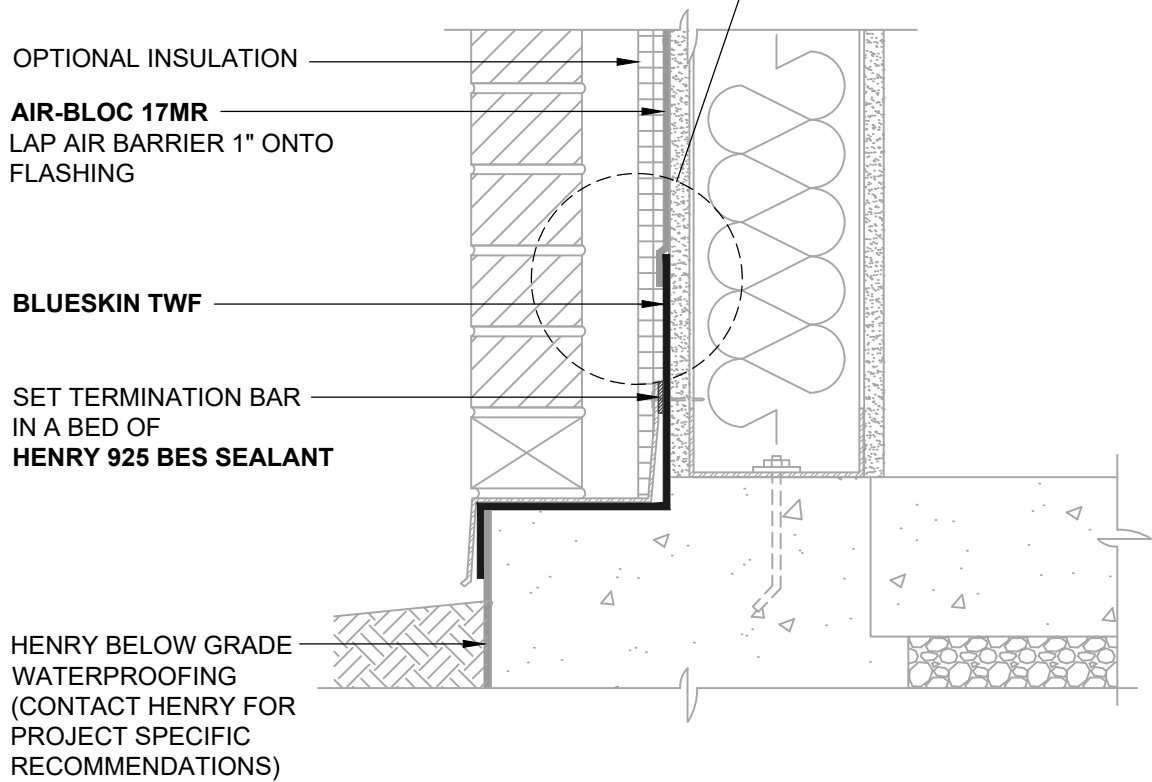
AB17MR-1A



AIR-BLOC 17MR
HENRY 925 BES SEALANT
 OR **AIR-BLOC LF**
 ENCAPSULATE UPPER EDGE OF
 SELF-ADHERED FLASHING
 REVERSE LAP

BLUESKIN TWF

FLASHING INSTALLED AFTER WRB
 REVERSE LAP



OPTIONAL INSULATION

AIR-BLOC 17MR
 LAP AIR BARRIER 1" ONTO
 FLASHING

BLUESKIN TWF

SET TERMINATION BAR
 IN A BED OF
HENRY 925 BES SEALANT

HENRY BELOW GRADE
 WATERPROOFING
 (CONTACT HENRY FOR
 PROJECT SPECIFIC
 RECOMMENDATIONS)

NOTES:

1. DETAIL SHOWS **AIR-BLOC 17MR FLUID APPLIED VAPOR PERMEABLE AIR BARRIER**. SUBSTRATE SHOWN IS FOR REFERENCE ONLY. ACCEPTABLE SUBSTRATES INCLUDE PLYWOOD, OSB, CONCRETE, CMU, METAL, AND EXTERIOR GRADE SHEATHING.
2. INSTALL **AIR-BLOC 17MR** TO ACHIEVE A CONTINUOUS WATER-RESISTIVE BARRIER (WRB). OPTIONAL VAPOR BARRIER NOT SHOWN FOR CLARITY. REFER TO LOCAL CODE ORDINANCES FOR INSULATION AND VAPOR BARRIER REQUIREMENTS.
3. REFER TO PRODUCT SPECIFIC TECHNICAL DATA SHEET (TDS) AND **AIR-BLOC 17MR** GUIDE SPECIFICATION FOR INSTALLATION PROCEDURES.

MANUFACTURER GUIDE DETAILS ARE FOR REFERENCE ONLY. HENRY DOES NOT ASSUME RESPONSIBILITY FOR ERRORS OR DEVIATIONS IN DESIGN OR ENGINEERING. PROJECT SPECIFIC VERIFICATION IS RECOMMENDED PRIOR TO INSTALLATION.



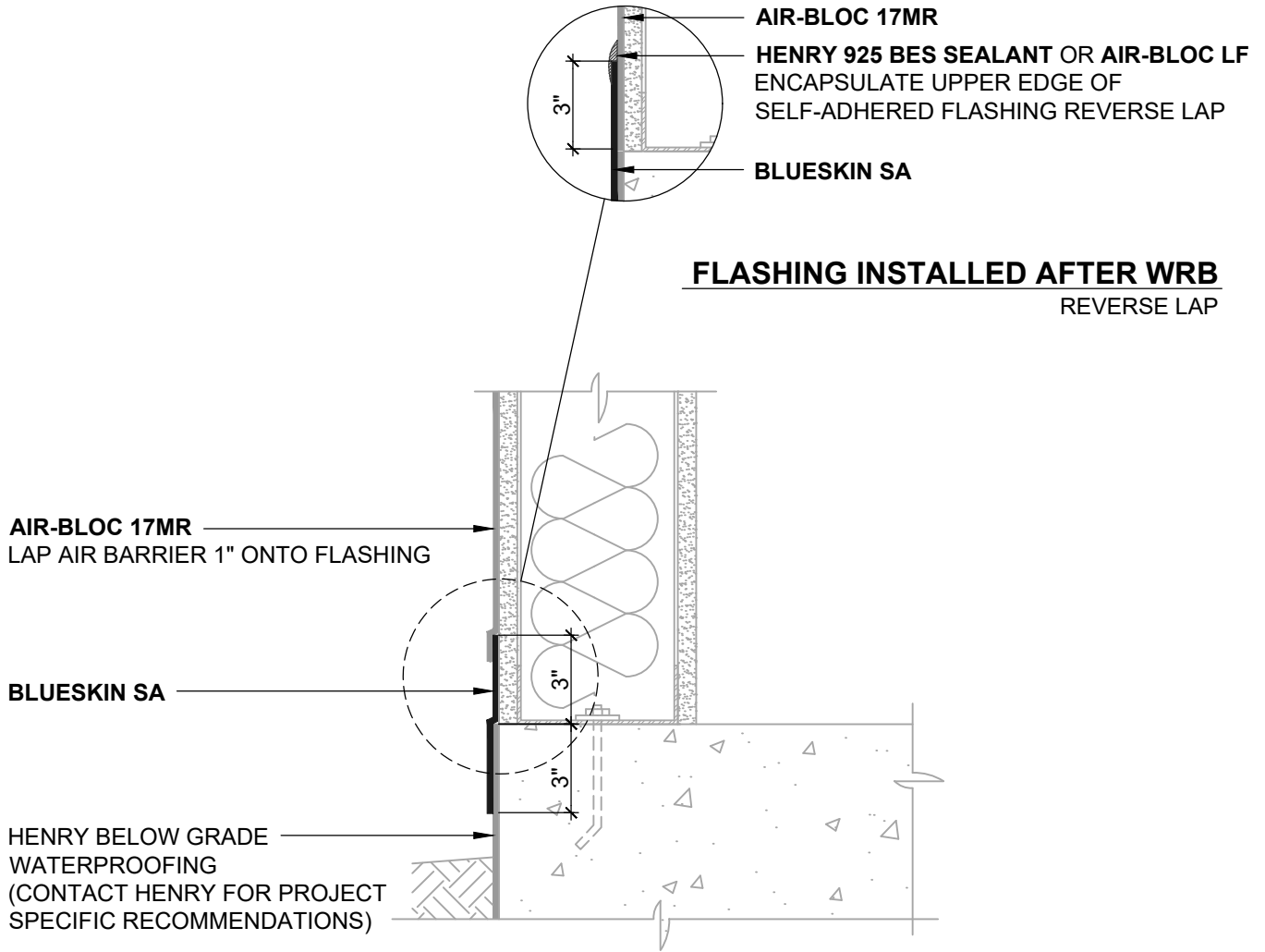
999 N. Pacific Coast Highway, Suite 800
 El Segundo, CA 90245
 800-486-1278 • www.henry.com

AIR-BLOC 17MR FLUID APPLIED VAPOR PERMEABLE AIR BARRIER

WALL FOUNDATION
EXTERIOR WALL AND FOUNDATION TRANSITION
SLAB ON GRADE WITH MASONRY LEDGE

SCALE: N.T.S. | 03-05-2020

AB17MR-1B



NOTES:

1. DETAIL SHOWS **AIR-BLOC 17MR FLUID APPLIED VAPOR PERMEABLE AIR BARRIER**. SUBSTRATE SHOWN IS FOR REFERENCE ONLY. ACCEPTABLE SUBSTRATES INCLUDE PLYWOOD, OSB, CONCRETE, CMU, METAL, AND EXTERIOR GRADE SHEATHING.
2. OTHER FLASHING OPTIONS INCLUDE: **BLUESKIN SA LT, BLUESKIN BUTYL FLASH, BLUESKIN METAL CLAD OR BLUESKIN TWF**.
3. INSTALL **AIR-BLOC 17MR** TO ACHIEVE A CONTINUOUS WATER-RESISTIVE BARRIER (WRB). INSULATION, CLADDING AND OPTIONAL VAPOR BARRIER NOT SHOWN FOR CLARITY. REFER TO LOCAL CODE ORDINANCES FOR INSULATION AND VAPOR BARRIER REQUIREMENTS.
4. REFER TO PRODUCT SPECIFIC TECHNICAL DATA SHEET (TDS) AND **AIR-BLOC 17MR** GUIDE SPECIFICATION FOR INSTALLATION PROCEDURES.

Henry[®]

999 N. Pacific Coast Highway, Suite 800
 El Segundo, CA 90245
 800-486-1278 • www.henry.com

MANUFACTURER GUIDE DETAILS ARE FOR REFERENCE ONLY. HENRY DOES NOT ASSUME RESPONSIBILITY FOR ERRORS OR DEVIATIONS IN DESIGN OR ENGINEERING. PROJECT SPECIFIC VERIFICATION IS RECOMMENDED PRIOR TO INSTALLATION.

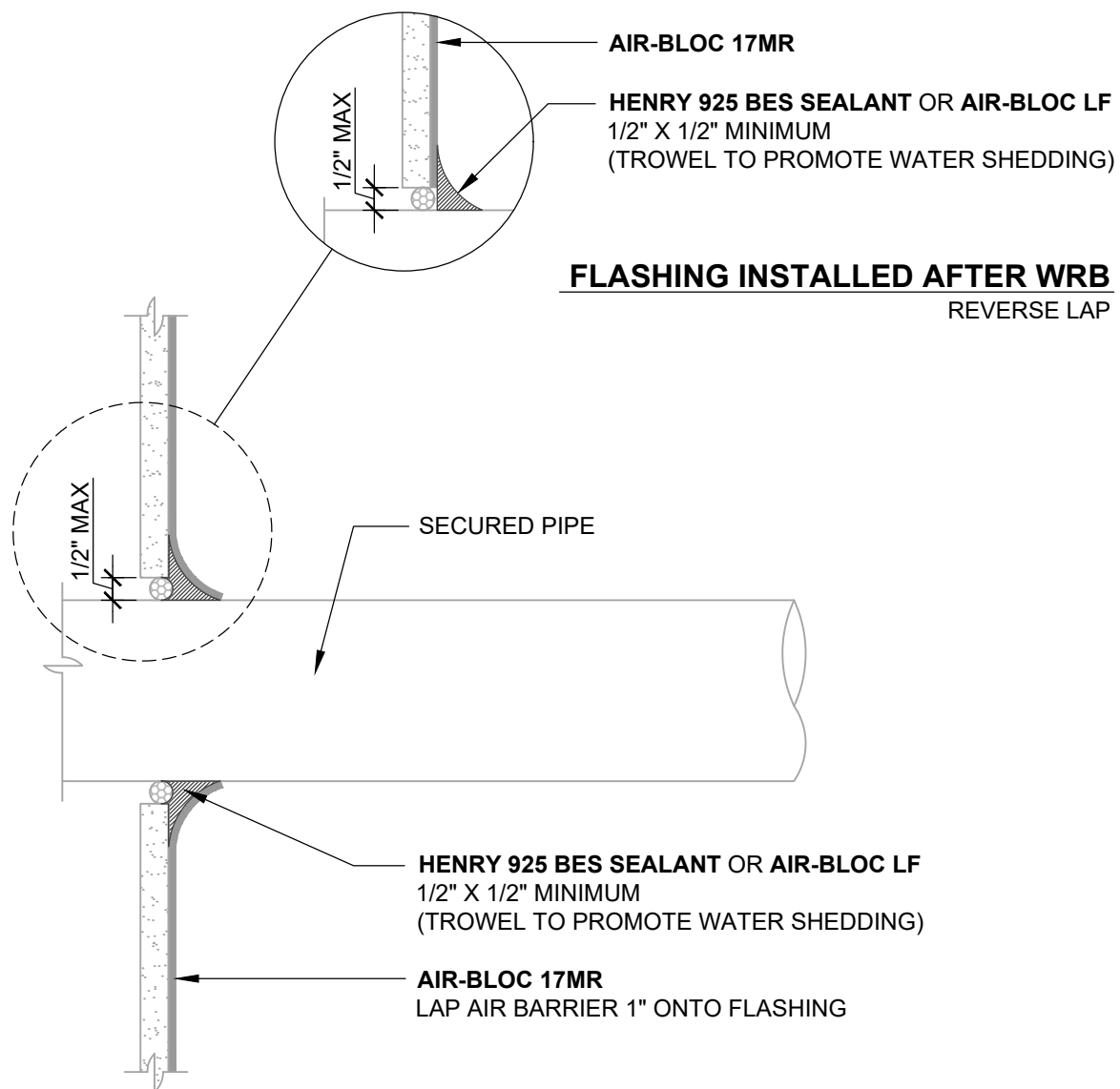
AIR-BLOC 17MR FLUID APPLIED VAPOR PERMEABLE AIR BARRIER

WALL FOUNDATION
EXTERIOR WALL AND FOUNDATION TRANSITION
SLAB ON GRADE - NO MASONRY LEDGE

SCALE: N.T.S.

03-05-2020

AB17MR-1C



FLASHING INSTALLED AFTER WRB
REVERSE LAP

NOTES:

1. DETAIL SHOWS **AIR-BLOC 17MR FLUID APPLIED VAPOR PERMEABLE AIR BARRIER**. SUBSTRATE SHOWN IS FOR REFERENCE ONLY. ACCEPTABLE SUBSTRATES INCLUDE PLYWOOD, OSB, CONCRETE, CMU, METAL, AND EXTERIOR GRADE SHEATHING.
2. PRIME CUT/RAW EDGES OF EXPOSED GYPSUM SHEATHING CORE PRIOR TO **AIR-BLOC LF** APPLICATION. RECOMMENDED PRIMER/ADHESIVE INCLUDE: **BLUESKIN SPRAY PREP**.
3. PERMANENTLY SECURE PIPE, LIGHTLY ABRABE AND CLEAN DUST/DEBRIS FROM PIPE PRIOR TO DETAILING.
4. INSTALL **AIR-BLOC 17MR** TO ACHIEVE A CONTINUOUS WATER-RESISTIVE BARRIER (WRB). INSULATION, CLADDING AND OPTIONAL VAPOR BARRIER NOT SHOWN FOR CLARITY. REFER TO LOCAL CODE ORDINANCES FOR INSULATION AND VAPOR BARRIER REQUIREMENTS.
5. REFER TO PRODUCT SPECIFIC TECHNICAL DATA SHEET (TDS) AND **AIR-BLOC 17MR** GUIDE SPECIFICATION FOR INSTALLATION PROCEDURES.

Henry[®]

999 N. Pacific Coast Highway, Suite 800
El Segundo, CA 90245
800-486-1278 • www.henry.com

MANUFACTURER GUIDE DETAILS ARE FOR REFERENCE ONLY. HENRY DOES NOT ASSUME RESPONSIBILITY FOR ERRORS OR DEVIATIONS IN DESIGN OR ENGINEERING. PROJECT SPECIFIC VERIFICATION IS RECOMMENDED PRIOR TO INSTALLATION.

AIR-BLOC 17MR FLUID APPLIED VAPOR PERMEABLE AIR BARRIER

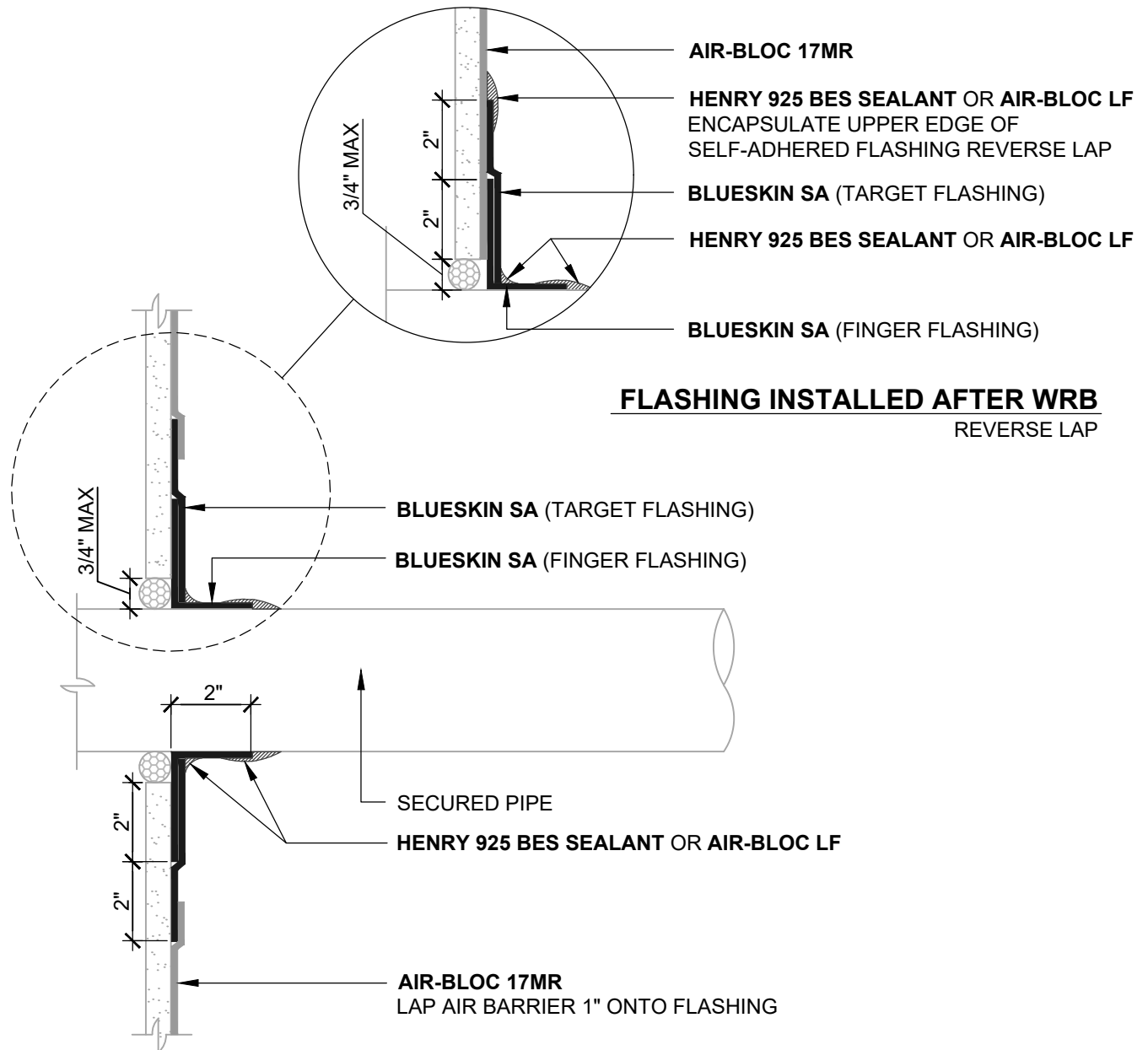
PIPE PENETRATION

**SUBSTRATE GAPS UP TO 1/2" WIDE GAP MAXIMUM
LIQUID FLASHING OR SEALANT**

SCALE: N.T.S.

03-05-2020

AB17MR-2A



FLASHING INSTALLED AFTER WRB
REVERSE LAP

NOTES:

1. DETAIL SHOWS **AIR-BLOC 17MR FLUID APPLIED VAPOR PERMEABLE AIR BARRIER**. SUBSTRATE SHOWN IS FOR REFERENCE ONLY. ACCEPTABLE SUBSTRATES INCLUDE PLYWOOD, OSB, CONCRETE, CMU, METAL, AND EXTERIOR GRADE SHEATHING.
2. OTHER FLASHING OPTIONS INCLUDE: **BLUESKIN SA LT, BLUESKIN BUTYL FLASH OR BLUESKIN METAL CLAD**.
3. PERMANENTLY SECURE PIPE, LIGHTLY ABRABE AND CLEAN DUST/DEBRIS FROM PIPE PRIOR TO DETAILING.
4. INSTALL **AIR-BLOC 17MR** TO ACHIEVE A CONTINUOUS WATER-RESISTIVE BARRIER (WRB). INSULATION, CLADDING AND OPTIONAL VAPOR BARRIER NOT SHOWN FOR CLARITY. REFER TO LOCAL CODE ORDINANCES FOR INSULATION AND VAPOR BARRIER REQUIREMENTS.
5. REFER TO PRODUCT SPECIFIC TECHNICAL DATA SHEET (TDS) AND **AIR-BLOC 17MR** GUIDE SPECIFICATION FOR INSTALLATION PROCEDURES.

Henry[®]

999 N. Pacific Coast Highway, Suite 800
El Segundo, CA 90245
800-486-1278 • www.henry.com

MANUFACTURER GUIDE DETAILS ARE FOR REFERENCE ONLY. HENRY DOES NOT ASSUME RESPONSIBILITY FOR ERRORS OR DEVIATIONS IN DESIGN OR ENGINEERING. PROJECT SPECIFIC VERIFICATION IS RECOMMENDED PRIOR TO INSTALLATION.

AIR-BLOC 17MR FLUID APPLIED VAPOR PERMEABLE AIR BARRIER

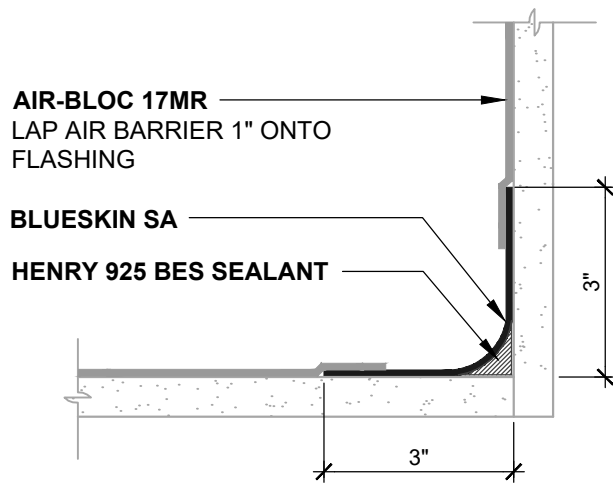
PIPE PENETRATION

**SUBSTRATE GAPS UP TO 3/4" WIDE GAP MAXIMUM
SELF-ADHERED FLASHING**

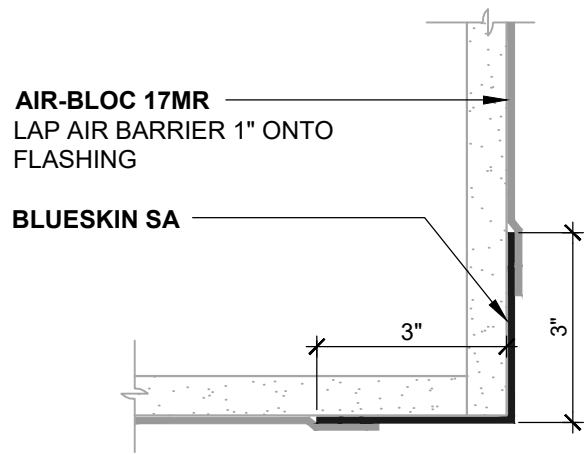
SCALE: N.T.S.

03-05-2020

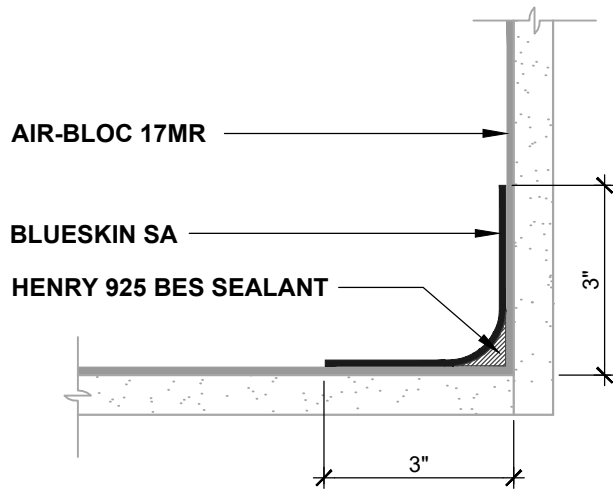
AB17MR-2B



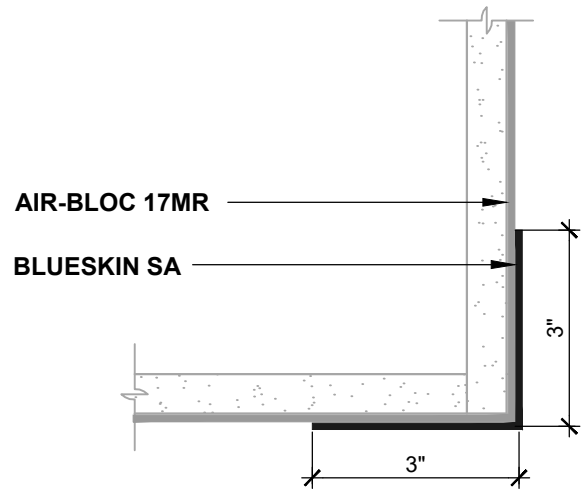
INSIDE CORNER (PLAN VIEW)
FLASHING INSTALLED BEFORE WRB



OUTSIDE CORNER (PLAN VIEW)
FLASHING INSTALLED BEFORE WRB



INSIDE CORNER (PLAN VIEW)
FLASHING INSTALLED AFTER WRB



OUTSIDE CORNER (PLAN VIEW)
FLASHING INSTALLED AFTER WRB

NOTES:

1. DETAIL SHOWS **AIR-BLOC 17MR FLUID APPLIED VAPOR PERMEABLE AIR BARRIER**. SUBSTRATE SHOWN IS FOR REFERENCE ONLY. ACCEPTABLE SUBSTRATES INCLUDE PLYWOOD, OSB, CONCRETE, CMU, METAL, AND EXTERIOR GRADE SHEATHING.
2. OTHER FLASHING OPTIONS INCLUDE: **BLUESKIN SA LT, BLUESKIN BUTYL FLASH OR BLUESKIN METAL CLAD**.
3. INSTALL **AIR-BLOC 17MR** TO ACHIEVE A CONTINUOUS WATER-RESISTIVE BARRIER (WRB). INSULATION, CLADDING AND OPTIONAL VAPOR BARRIER NOT SHOWN FOR CLARITY. REFER TO LOCAL CODE ORDINANCES FOR INSULATION AND VAPOR BARRIER REQUIREMENTS.
4. REFER TO PRODUCT SPECIFIC TECHNICAL DATA SHEET (TDS) AND **AIR-BLOC 17MR** GUIDE SPECIFICATION FOR INSTALLATION PROCEDURES.

MANUFACTURER GUIDE DETAILS ARE FOR REFERENCE ONLY. HENRY DOES NOT ASSUME RESPONSIBILITY FOR ERRORS OR DEVIATIONS IN DESIGN OR ENGINEERING. PROJECT SPECIFIC VERIFICATION IS RECOMMENDED PRIOR TO INSTALLATION.

AIR-BLOC 17MR FLUID APPLIED VAPOR PERMEABLE AIR BARRIER

INSIDE/OUTSIDE CORNERS

TYPICAL CORNER DETAILS - PLAN VIEW
SELF-ADHERED FLASHING

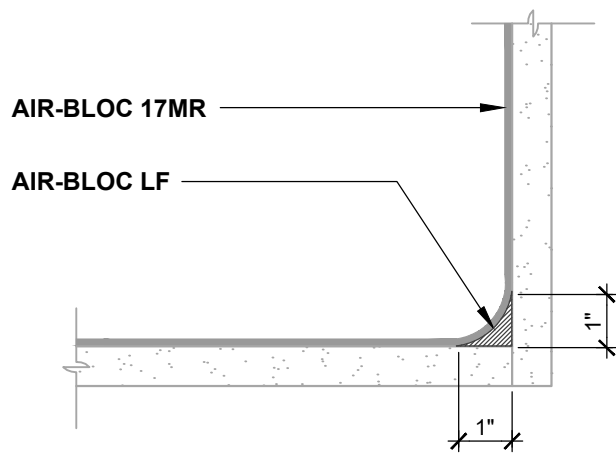
SCALE: N.T.S.

03-05-2020

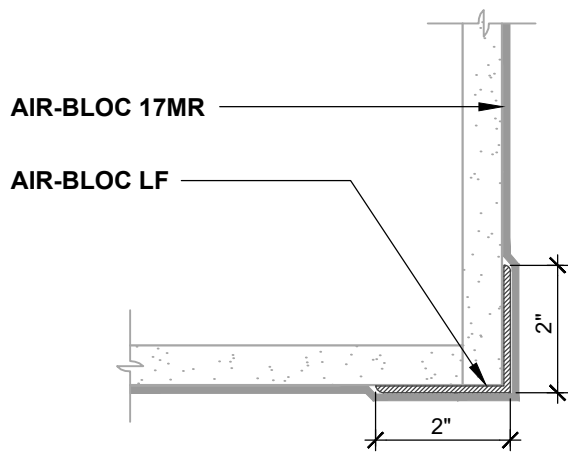
AB17MR-3A-1

Henry[®]

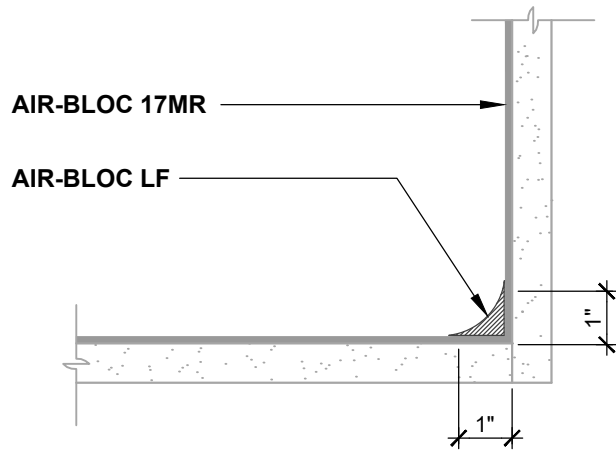
999 N. Pacific Coast Highway, Suite 800
El Segundo, CA 90245
800-486-1278 • www.henry.com



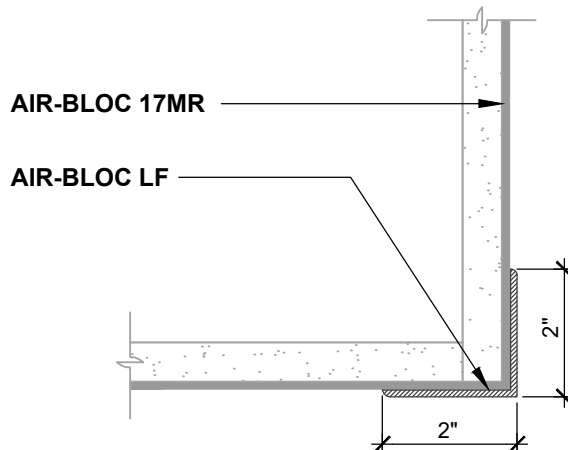
INSIDE CORNER (PLAN VIEW)
FLASHING INSTALLED BEFORE WRB



OUTSIDE CORNER (PLAN VIEW)
FLASHING INSTALLED BEFORE WRB



INSIDE CORNER (PLAN VIEW)
FLASHING INSTALLED AFTER WRB



OUTSIDE CORNER (PLAN VIEW)
FLASHING INSTALLED AFTER WRB

NOTES:

1. DETAIL SHOWS **AIR-BLOC 17MR FLUID APPLIED VAPOR PERMEABLE AIR BARRIER**. SUBSTRATE SHOWN IS FOR REFERENCE ONLY. ACCEPTABLE SUBSTRATES FOR **AIR-BLOC LF** CORNER FLASHING INCLUDE EXTERIOR GRADE SHEATHING.
2. OSB AND PLYWOOD SUBSTRATES REQUIRE A SELF-ADHERED FLASHING AT INSIDE/OUTSIDE CORNERS. REFER TO DETAIL AB17MR-3A-1.
3. PRIME CUT/RAW EDGES OF EXPOSED GYPSUM SHEATHING CORE PRIOR TO **AIR-BLOC LF** APPLICATION. RECOMMENDED PRIMER/ADHESIVE INCLUDE: **BLUESKIN SPRAY PREP**.
4. INSTALL **AIR-BLOC 17MR** TO ACHIEVE A CONTINUOUS WATER-RESISTIVE BARRIER (WRB). INSULATION, CLADDING AND OPTIONAL VAPOR BARRIER NOT SHOWN FOR CLARITY. REFER TO LOCAL CODE ORDINANCES FOR INSULATION AND VAPOR BARRIER REQUIREMENTS.
5. REFER TO PRODUCT SPECIFIC TECHNICAL DATA SHEET (TDS) AND **AIR-BLOC 17MR** GUIDE SPECIFICATION FOR INSTALLATION PROCEDURES.

Henry[®]

999 N. Pacific Coast Highway, Suite 800
El Segundo, CA 90245
800-486-1278 • www.henry.com

MANUFACTURER GUIDE DETAILS ARE FOR REFERENCE ONLY. HENRY DOES NOT ASSUME RESPONSIBILITY FOR ERRORS OR DEVIATIONS IN DESIGN OR ENGINEERING. PROJECT SPECIFIC VERIFICATION IS RECOMMENDED PRIOR TO INSTALLATION.

AIR-BLOC 17MR FLUID APPLIED VAPOR PERMEABLE AIR BARRIER

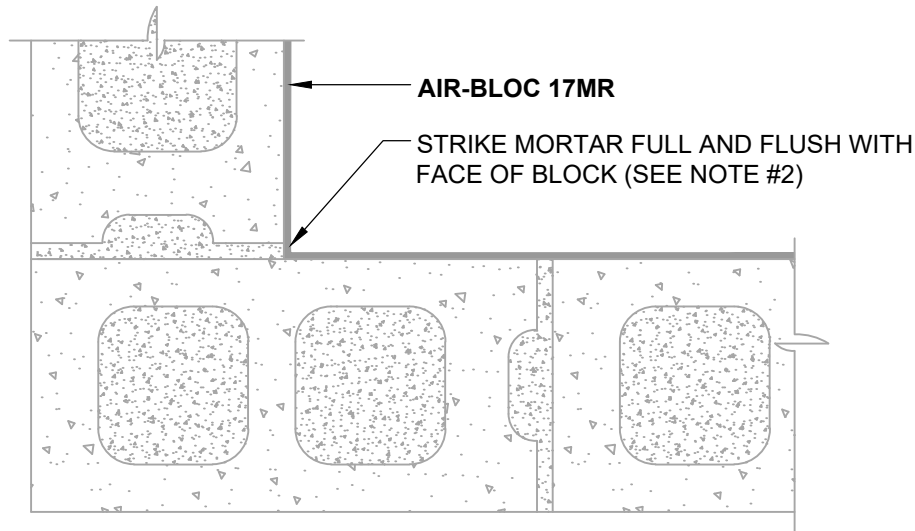
INSIDE/OUTSIDE CORNERS

**EXTERIOR GRADE SHEATHING
LIQUID APPLIED FLASHING**

SCALE: N.T.S.

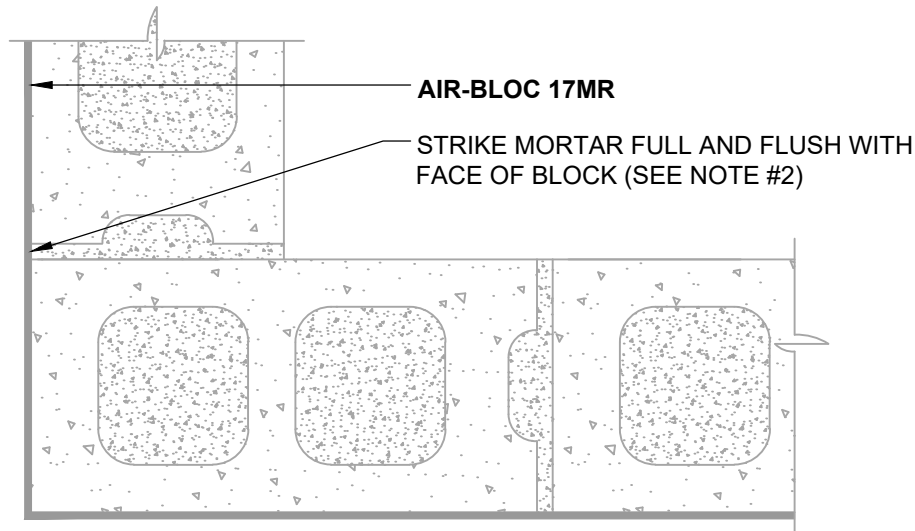
03-05-2020

AB17MR-3A-2



INSIDE CORNER (PLAN VIEW)

STRIKE MORTAR FULL AND FLUSH



OUTSIDE CORNER (PLAN VIEW)

STRIKE MORTAR FULL AND FLUSH

NOTES:

1. DETAIL SHOWS **AIR-BLOC 17MR FLUID APPLIED VAPOR PERMEABLE AIR BARRIER**. THIS DETAIL IS FOR CMU SUBSTRATES ONLY. REFER TO AB17MR-3A-1 AND AB17MR-3A-2 FOR OTHER SUBSTRATE FLASHINGS.
2. FILL GROUT AND STRIKE CMU JOINTS FULL AND FLUSH TO CREATE A CONTINUOUS SUBSTRATE. REFER TO PRODUCT SPECIFIC TECHNICAL DATA SHEET FOR CURE TIME PRIOR TO AIR BARRIER INSTALLATION.
3. INSULATION, CLADDING AND OPTIONAL VAPOR BARRIER NOT SHOWN FOR CLARITY. REFER TO LOCAL CODE ORDINANCES FOR INSULATION AND VAPOR BARRIER REQUIREMENTS.
4. REFER TO PRODUCT SPECIFIC TECHNICAL DATA SHEET (TDS) AND **AIR-BLOC 17MR** GUIDE SPECIFICATION FOR INSTALLATION PROCEDURES.

MANUFACTURER GUIDE DETAILS ARE FOR REFERENCE ONLY. HENRY DOES NOT ASSUME RESPONSIBILITY FOR ERRORS OR DEVIATIONS IN DESIGN OR ENGINEERING. PROJECT SPECIFIC VERIFICATION IS RECOMMENDED PRIOR TO INSTALLATION.

AIR-BLOC 17MR FLUID APPLIED VAPOR PERMEABLE AIR BARRIER

INSIDE/OUTSIDE CORNERS

**CONCRETE MASONRY UNITS (CMU)
STRIKE MASONRY JOINTS FLUSH**

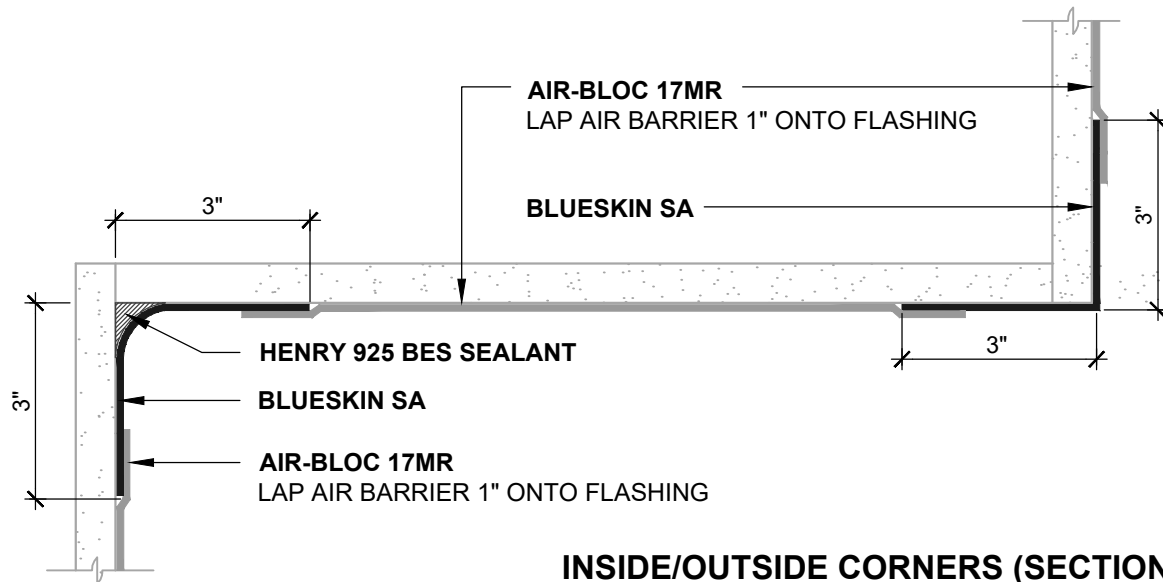
SCALE: N.T.S.

03-05-2020

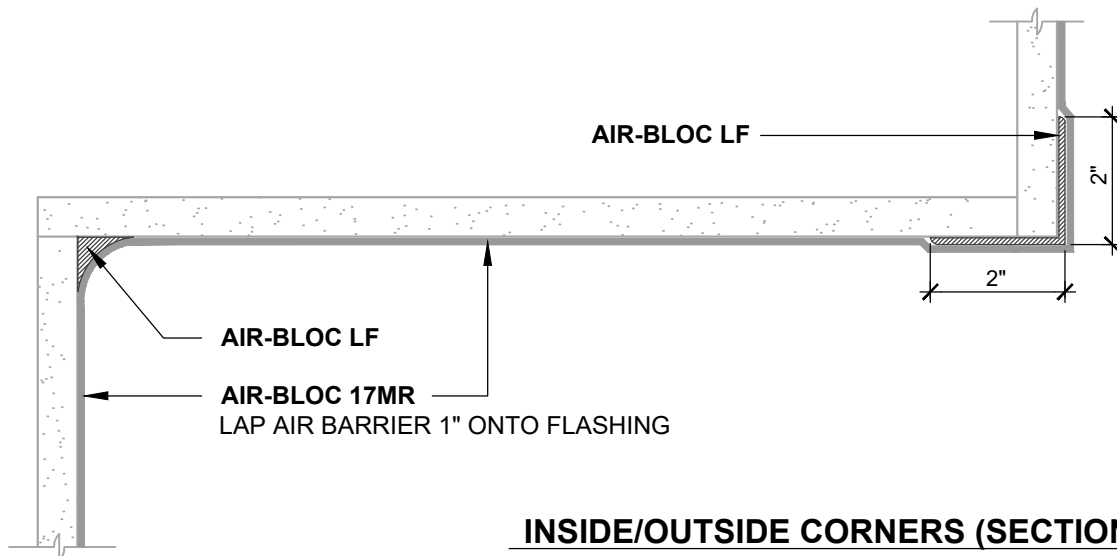
AB17MR-3B

Henry[®]

999 N. Pacific Coast Highway, Suite 800
El Segundo, CA 90245
800-486-1278 • www.henry.com



INSIDE/OUTSIDE CORNERS (SECTION VIEW)
SELF-ADHERED FLASHING



INSIDE/OUTSIDE CORNERS (SECTION VIEW)
LIQUID-APPLIED FLASHING

NOTES:

1. DETAIL SHOWS **AIR-BLOC 17MR FLUID APPLIED VAPOR PERMEABLE AIR BARRIER**. SUBSTRATE SHOWN IS FOR REFERENCE ONLY. ACCEPTABLE SUBSTRATES INCLUDE PLYWOOD, OSB, CONCRETE, CMU, METAL, AND EXTERIOR GRADE SHEATHING.
2. OSB AND PLYWOOD SUBSTRATES REQUIRE A SELF-ADHERED FLASHING AT INSIDE/OUTSIDE CORNERS.
3. OTHER FLASHING OPTIONS INCLUDE: **BLUESKIN SA LT, BLUESKIN BUTYL FLASH OR BLUESKIN METAL CLAD**.
4. INSTALL **AIR-BLOC 17MR** TO ACHIEVE A CONTINUOUS WATER-RESISTIVE BARRIER (WRB). INSULATION, CLADDING AND OPTIONAL VAPOR BARRIER NOT SHOWN FOR CLARITY. REFER TO LOCAL CODE ORDINANCES FOR INSULATION AND VAPOR BARRIER REQUIREMENTS.
5. REFER TO PRODUCT SPECIFIC TECHNICAL DATA SHEET (TDS) AND **AIR-BLOC 17MR** GUIDE SPECIFICATION FOR INSTALLATION PROCEDURES.

Henry[®]

999 N. Pacific Coast Highway, Suite 800
El Segundo, CA 90245
800-486-1278 • www.henry.com

MANUFACTURER GUIDE DETAILS ARE FOR REFERENCE ONLY. HENRY DOES NOT ASSUME RESPONSIBILITY FOR ERRORS OR DEVIATIONS IN DESIGN OR ENGINEERING. PROJECT SPECIFIC VERIFICATION IS RECOMMENDED PRIOR TO INSTALLATION.

AIR-BLOC 17MR FLUID APPLIED VAPOR PERMEABLE AIR BARRIER

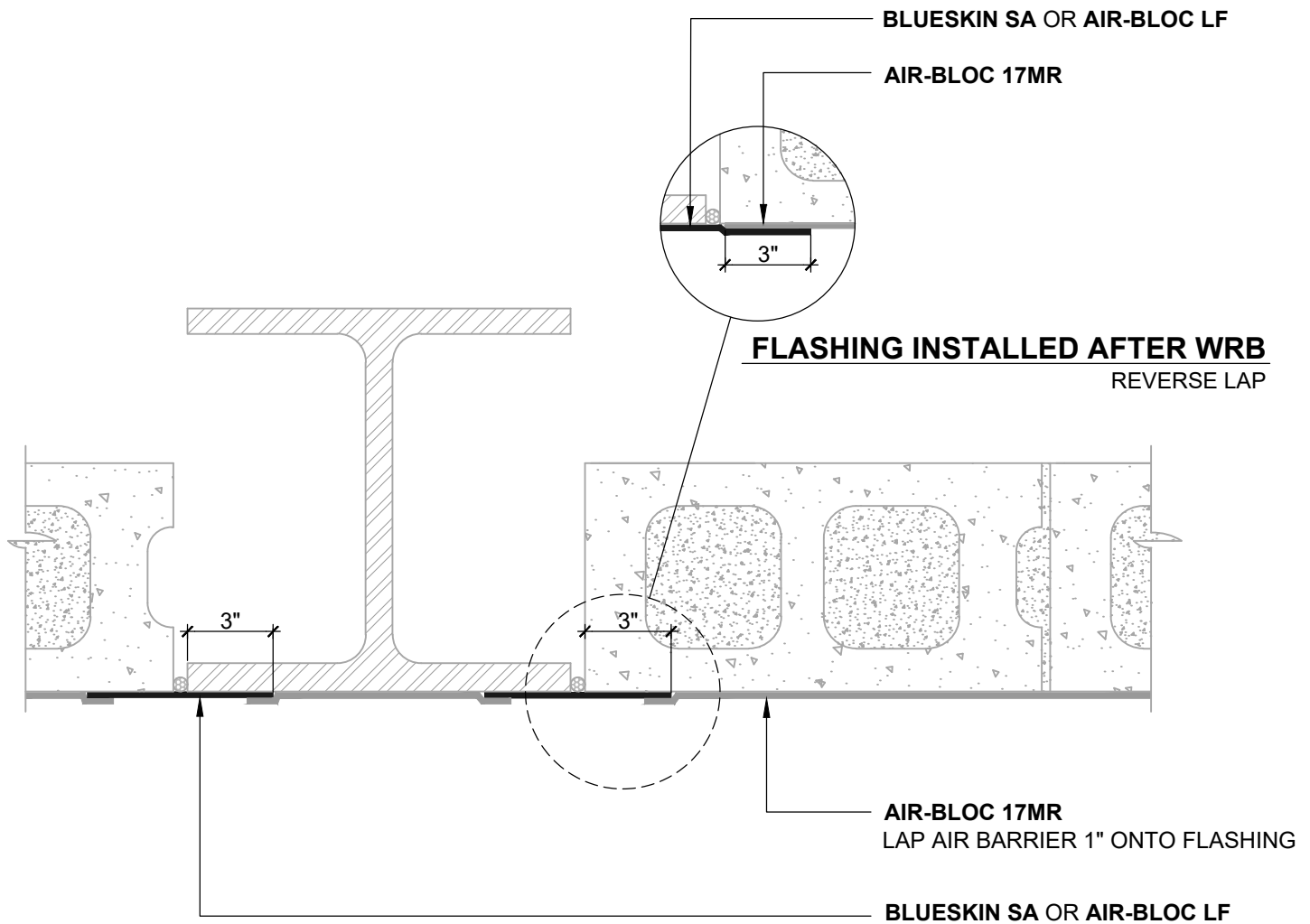
TYPICAL SOFFIT

**INSIDE AND OUTSIDE CORNERS - SECTION VIEW
SELF-ADHERED AND LIQUID-APPLIED FLASHING**

SCALE: N.T.S.

03-05-2020

AB17MR-3C



NON-MOVING JOINT (PLAN VIEW)
CONTROL JOINT/SUBSTRATE TRANSITION

NOTES:

1. DETAIL SHOWS **AIR-BLOC 17MR FLUID APPLIED VAPOR PERMEABLE AIR BARRIER**. SUBSTRATE SHOWN IS FOR REFERENCE ONLY. ACCEPTABLE SUBSTRATES INCLUDE PLYWOOD, OSB, CONCRETE, CMU, METAL, AND EXTERIOR GRADE SHEATHING.
2. FILL GROUT AND STRIKE CMU JOINTS FULL AND FLUSH TO CREATE A CONTINUOUS SUBSTRATE. REFER TO PRODUCT SPECIFIC TECHNICAL DATA SHEET FOR CURE TIME PRIOR TO INSTALLATION.
3. REFER TO NON-MOVING JOINT DETAILS FOR ALTERNATE CONSTRUCTION JOINT FLASHING OPTIONS .
4. OTHER FLASHING OPTIONS INCLUDE: **BLUESKIN SA LT, BLUESKIN BUTYL FLASH OR BLUESKIN METAL CLAD**.
5. INSTALL **AIR-BLOC 17MR** TO ACHIEVE A CONTINUOUS WATER-RESISTIVE BARRIER (WRB). INSULATION, CLADDING AND OPTIONAL VAPOR BARRIER NOT SHOWN FOR CLARITY. REFER TO LOCAL CODE ORDINANCES FOR INSULATION AND VAPOR BARRIER REQUIREMENTS.
6. REFER TO PRODUCT SPECIFIC TECHNICAL DATA SHEET (TDS) AND **AIR-BLOC 17MR** GUIDE SPECIFICATION FOR INSTALLATION PROCEDURES.

Henry[®]

999 N. Pacific Coast Highway, Suite 800
El Segundo, CA 90245
800-486-1278 • www.henry.com

MANUFACTURER GUIDE DETAILS ARE FOR REFERENCE ONLY. HENRY DOES NOT ASSUME RESPONSIBILITY FOR ERRORS OR DEVIATIONS IN DESIGN OR ENGINEERING. PROJECT SPECIFIC VERIFICATION IS RECOMMENDED PRIOR TO INSTALLATION.

AIR-BLOC 17MR FLUID APPLIED VAPOR PERMEABLE AIR BARRIER

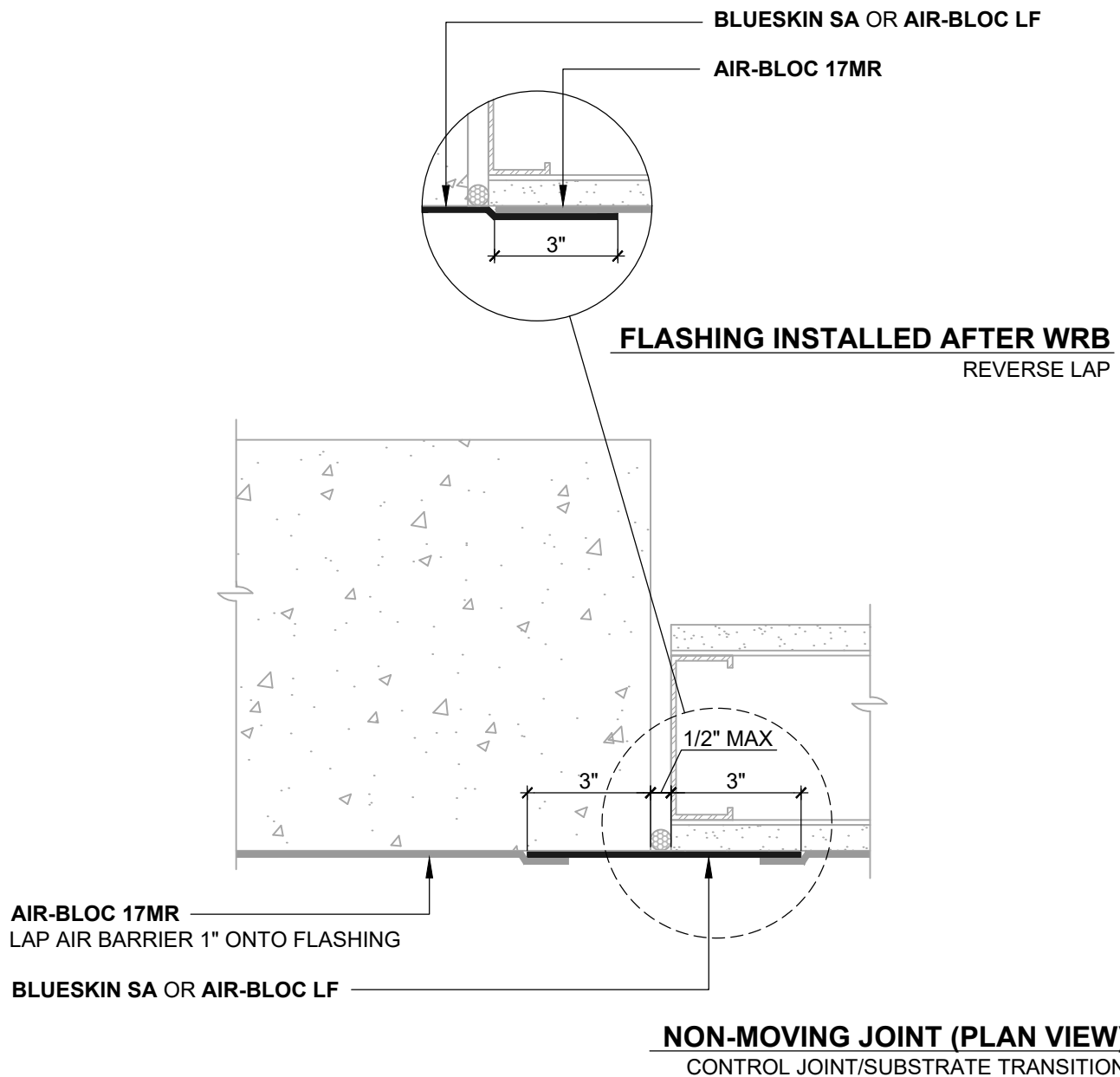
SUBSTRATE TRANSITION

**DISSIMILAR SUBSTRATE TRANSITIONS
SUBSTRATE GAPS UP TO 1/2" MAXIMUM**

SCALE: N.T.S.

03-05-2020

AB17MR-4A



NOTES:

1. DETAIL SHOWS **AIR-BLOC 17MR FLUID APPLIED VAPOR PERMEABLE AIR BARRIER**. SUBSTRATE SHOWN IS FOR REFERENCE ONLY. ACCEPTABLE SUBSTRATES INCLUDE PLYWOOD, OSB, CONCRETE, CMU, METAL, AND EXTERIOR GRADE SHEATHING.
2. REFER TO NON-MOVING JOINT DETAILS FOR ALTERNATE CONSTRUCTION JOINT FLASHING OPTIONS .
3. OTHER FLASHING OPTIONS INCLUDE: **BLUESKIN SA LT, BLUESKIN BUTYL FLASH OR BLUESKIN METAL CLAD**.
4. INSTALL **AIR-BLOC 17MR** TO ACHIEVE A CONTINUOUS WATER-RESISTIVE BARRIER (WRB). INSULATION, CLADDING AND OPTIONAL VAPOR BARRIER NOT SHOWN FOR CLARITY. REFER TO LOCAL CODE ORDINANCES FOR INSULATION AND VAPOR BARRIER REQUIREMENTS.
5. REFER TO PRODUCT SPECIFIC TECHNICAL DATA SHEET (TDS) AND **AIR-BLOC 17MR GUIDE** SPECIFICATION FOR INSTALLATION PROCEDURES.

Henry[®]

999 N. Pacific Coast Highway, Suite 800
El Segundo, CA 90245
800-486-1278 • www.henry.com

MANUFACTURER GUIDE DETAILS ARE FOR REFERENCE ONLY. HENRY DOES NOT ASSUME RESPONSIBILITY FOR ERRORS OR DEVIATIONS IN DESIGN OR ENGINEERING. PROJECT SPECIFIC VERIFICATION IS RECOMMENDED PRIOR TO INSTALLATION.

AIR-BLOC 17MR FLUID APPLIED VAPOR PERMEABLE AIR BARRIER

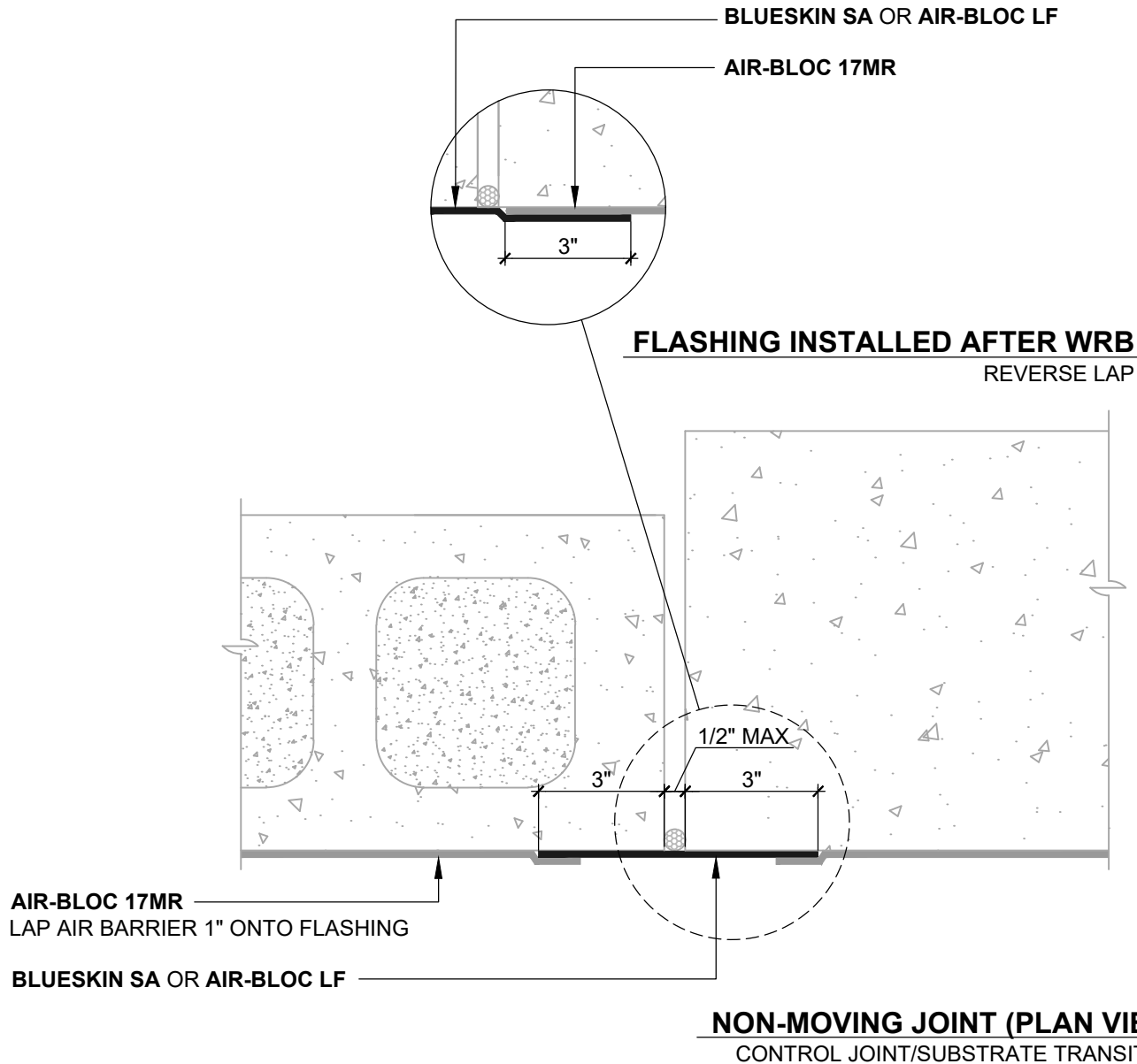
SUBSTRATE TRANSITION

**DISSIMILAR SUBSTRATE TRANSITIONS
SUBSTRATE GAPS UP TO 1/2" MAXIMUM**

SCALE: N.T.S.

03-05-2020

AB17MR-4B



NON-MOVING JOINT (PLAN VIEW)
CONTROL JOINT/SUBSTRATE TRANSITION

NOTES:

1. DETAIL SHOWS **AIR-BLOC 17MR FLUID APPLIED VAPOR PERMEABLE AIR BARRIER**. SUBSTRATE SHOWN IS FOR REFERENCE ONLY. ACCEPTABLE SUBSTRATES INCLUDE PLYWOOD, OSB, CONCRETE, CMU, METAL, AND EXTERIOR GRADE SHEATHING.
2. REFER TO NON-MOVING JOINT DETAILS FOR ALTERNATE CONSTRUCTION JOINT FLASHING OPTIONS .
3. OTHER FLASHING OPTIONS INCLUDE: **BLUESKIN SA LT, BLUESKIN BUTYL FLASH OR BLUESKIN METAL CLAD.**
4. FILL GROUT AND STRIKE CMU JOINTS FULL AND FLUSH TO CREATE A CONTINUOUS SUBSTRATE. REFER TO PRODUCT SPECIFIC TECHNICAL DATA SHEET FOR CURE TIME PRIOR TO AIR BARRIER INSTALLATION.
5. INSTALL **AIR-BLOC 17MR** TO ACHIEVE A CONTINUOUS WATER-RESISTIVE BARRIER (WRB). INSULATION, CLADDING AND OPTIONAL VAPOR BARRIER NOT SHOWN FOR CLARITY. REFER TO LOCAL CODE ORDINANCES FOR INSULATION AND VAPOR BARRIER REQUIREMENTS.
6. REFER TO PRODUCT SPECIFIC TECHNICAL DATA SHEET (TDS) AND **AIR-BLOC 17MR GUIDE** SPECIFICATION FOR INSTALLATION PROCEDURES.



999 N. Pacific Coast Highway, Suite 800
El Segundo, CA 90245
800-486-1278 • www.henry.com

MANUFACTURER GUIDE DETAILS ARE FOR REFERENCE ONLY. HENRY DOES NOT ASSUME RESPONSIBILITY FOR ERRORS OR DEVIATIONS IN DESIGN OR ENGINEERING. PROJECT SPECIFIC VERIFICATION IS RECOMMENDED PRIOR TO INSTALLATION.

AIR-BLOC 17MR FLUID APPLIED VAPOR PERMEABLE AIR BARRIER

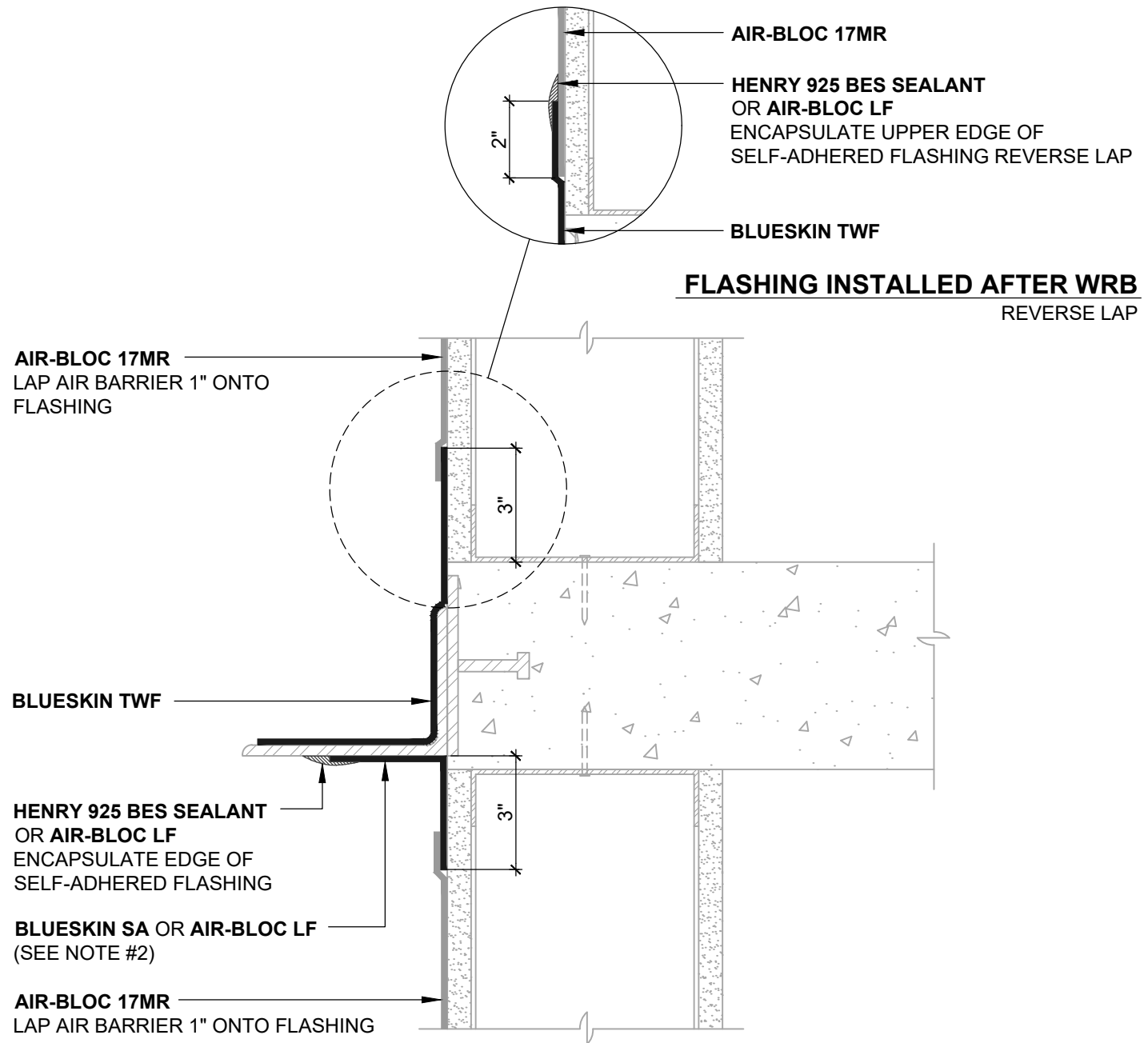
SUBSTRATE TRANSITION

**DISSIMILAR SUBSTRATE TRANSITIONS
SUBSTRATE GAPS UP TO 1/2" MAXIMUM**

SCALE: N.T.S.

03-05-2020

AB17MR-4C



NOTES:

1. DETAIL SHOWS **AIR-BLOC 17MR FLUID APPLIED VAPOR PERMEABLE AIR BARRIER**. SUBSTRATE SHOWN IS FOR REFERENCE ONLY. ACCEPTABLE SUBSTRATES INCLUDE PLYWOOD, OSB, CONCRETE, CMU, METAL, AND EXTERIOR GRADE SHEATHING.
2. OTHER FLASHING OPTIONS INCLUDE: **BLUESKIN SA LT, BLUESKIN BUTYL FLASH OR BLUESKIN METAL CLAD**.
3. INSTALL **AIR-BLOC 17MR** TO ACHIEVE A CONTINUOUS WATER-RESISTIVE BARRIER (WRB). INSULATION, CLADDING AND OPTIONAL VAPOR BARRIER NOT SHOWN FOR CLARITY. REFER TO LOCAL CODE ORDINANCES FOR INSULATION AND VAPOR BARRIER REQUIREMENTS.
4. REFER TO PRODUCT SPECIFIC TECHNICAL DATA SHEET (TDS) AND **AIR-BLOC 17MR GUIDE** SPECIFICATION FOR INSTALLATION PROCEDURES.

Henry[®]

999 N. Pacific Coast Highway, Suite 800
 El Segundo, CA 90245
 800-486-1278 • www.henry.com

MANUFACTURER GUIDE DETAILS ARE FOR REFERENCE ONLY. HENRY DOES NOT ASSUME RESPONSIBILITY FOR ERRORS OR DEVIATIONS IN DESIGN OR ENGINEERING. PROJECT SPECIFIC VERIFICATION IS RECOMMENDED PRIOR TO INSTALLATION.

AIR-BLOC 17MR FLUID APPLIED VAPOR PERMEABLE AIR BARRIER

THRU-WALL FLASHING

**DISSIMILAR SUBSTRATE TRANSITIONS
 CONTINUOUS LINTEL/STEEL ANGLE**

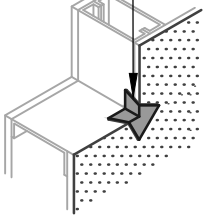
SCALE: N.T.S.

03-05-2020

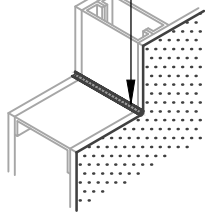
AB17MR-5A

OPTION #1
GUSSET

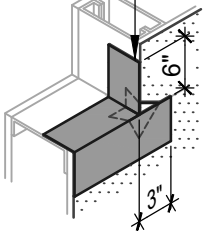
BLUESKIN SA



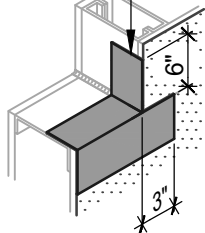
HENRY 925 BES SEALANT
OR AIR-BLOC LF



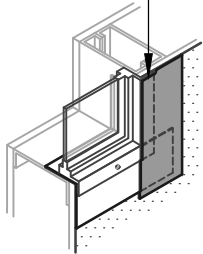
BLUESKIN SA



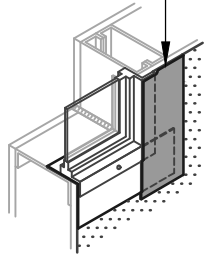
BLUESKIN SA
OR AIR-BLOC LF



BLUESKIN SA



BLUESKIN SA
OR AIR-BLOC LF



WINDOW SILL/JAMB FLASHING
SEALANT AND GUSSET METHODS

OPTION #2
SEALANT

AIR-BLOC 17MR

HENRY 925 BES SEALANT
OR AIR-BLOC LF
ENCAPSULATE UPPER EDGE
OF SELF-ADHERED FLASHING
REVERSE LAP

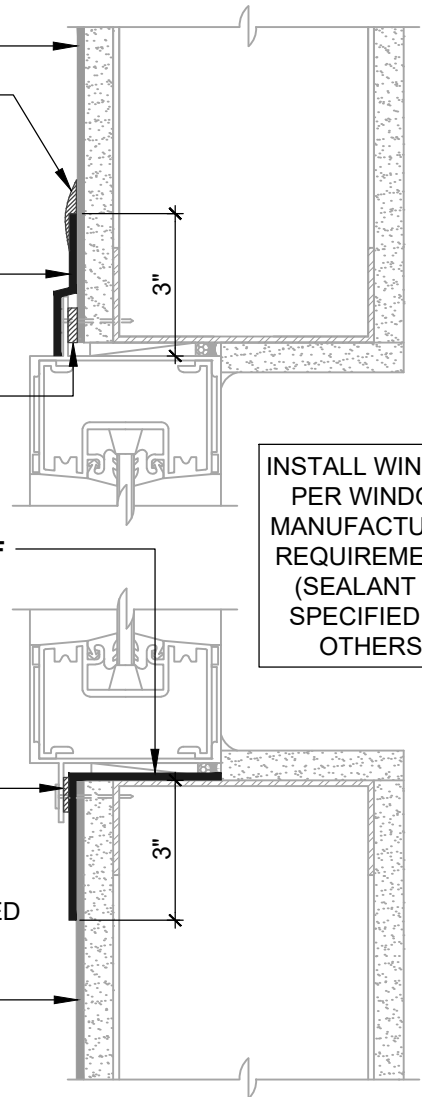
BLUESKIN SA
OR AIR-BLOC LF

SET WINDOW FLANGE
INTO A BED OF
HENRY 925 BES SEALANT

BLUESKIN SA OR AIR-BLOC LF
EXTEND FLASHING
3" (SUGGESTED) INTO ROUGH
OPENING (2" MIN)

SET WINDOW FLANGE
INTO A BED OF
HENRY 925 BES SEALANT
APPLY INTERMITTENTLY ON
SILL FLANGE WHERE REQUIRED
TO ALLOW DRAINAGE

AIR-BLOC 17MR



INSTALL WINDOW
PER WINDOW
MANUFACTURER
REQUIREMENTS
(SEALANT AS
SPECIFIED BY
OTHERS)

ASTM E2112- METHOD A1 (SECTION VIEW)
FLASHING INSTALLED AFTER WRB

NOTES:

1. DETAIL SHOWS AIR-BLOC 17MR FLUID APPLIED VAPOR PERMEABLE AIR BARRIER. SUBSTRATE SHOWN IS FOR REFERENCE ONLY. ACCEPTABLE SUBSTRATES INCLUDE PLYWOOD, OSB, CONCRETE, CMU, METAL, AND EXTERIOR GRADE SHEATHING.
2. OTHER FLASHING OPTIONS INCLUDE: BLUESKIN SA LT, BLUESKIN BUTYL FLASH OR BLUESKIN METAL CLAD.
3. PRIME CUT/RAW EDGES OF EXPOSED GYPSUM SHEATHING CORE PRIOR TO AIR-BLOC LF APPLICATION. RECOMMENDED PRIMER/ADHESIVE INCLUDE: BLUESKIN SPRAY PREP.
4. HENRY WINDOW FLASHING DETAILS ARE BASED ON ASTM E2112. REFER TO DETAIL AB17MR-6A1-A FOR SEQUENCE OF INSTALLATION. ACTUAL CONDITIONS MAY VARY. VERIFY PROJECT SPECIFIC WINDOW INSTALLATION REQUIREMENTS AND FLASHING COMPATIBILITY WITH DESIGN PROFESSIONAL.
5. INSULATION, CLADDING AND OPTIONAL VAPOR BARRIER NOT SHOWN FOR CLARITY. REFER TO LOCAL CODE ORDINANCES FOR INSULATION AND VAPOR BARRIER REQUIREMENTS.
6. REFER TO PRODUCT SPECIFIC TECHNICAL DATA SHEET (TDS) AND AIR-BLOC 17MR GUIDE SPECIFICATION FOR INSTALLATION PROCEDURES.

Henry[®]

999 N. Pacific Coast Highway, Suite 800
El Segundo, CA 90245
800-486-1278 • www.henry.com

MANUFACTURER GUIDE DETAILS ARE FOR REFERENCE ONLY. HENRY DOES NOT ASSUME RESPONSIBILITY FOR ERRORS OR DEVIATIONS IN DESIGN OR ENGINEERING. PROJECT SPECIFIC VERIFICATION IS RECOMMENDED PRIOR TO INSTALLATION.

AIR-BLOC 17MR FLUID APPLIED VAPOR PERMEABLE AIR BARRIER

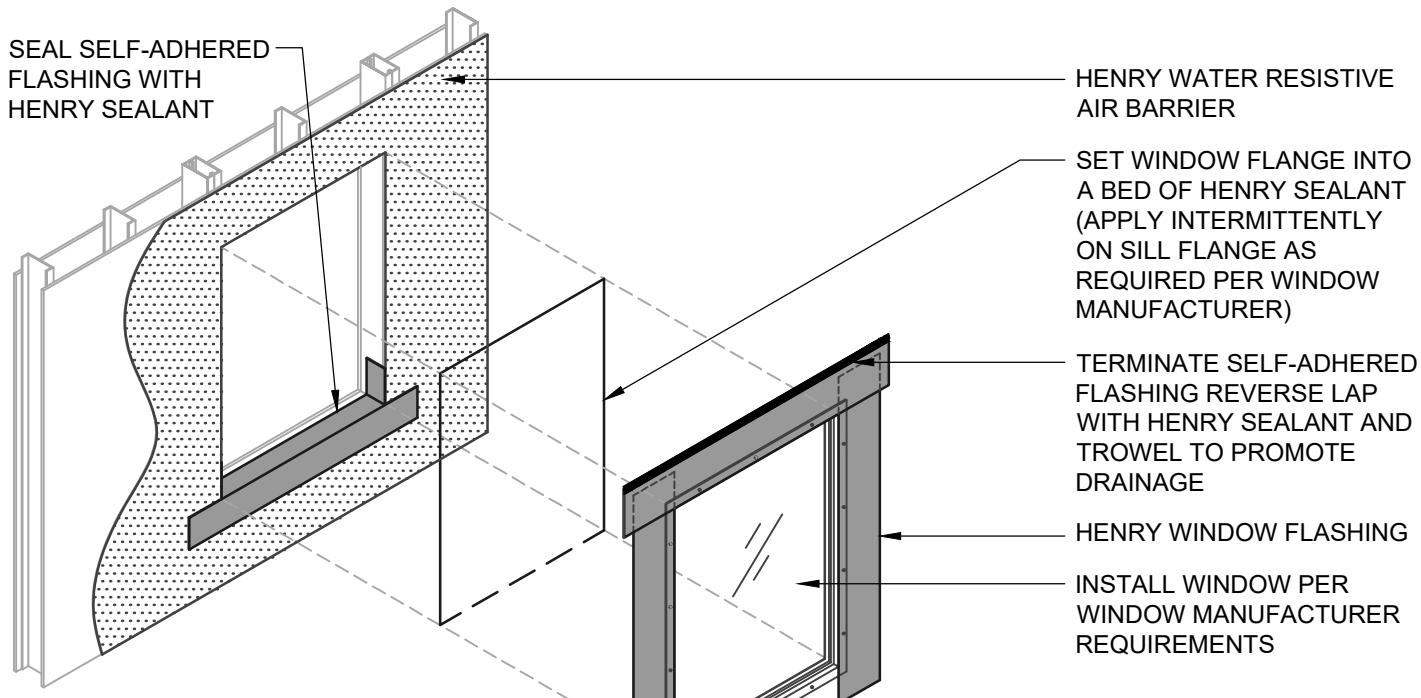
FLANGED WINDOW

**ASTM E2112 METHOD A1
FLASHING INSTALLED AFTER WRB**

SCALE: N.T.S.

03-05-2020

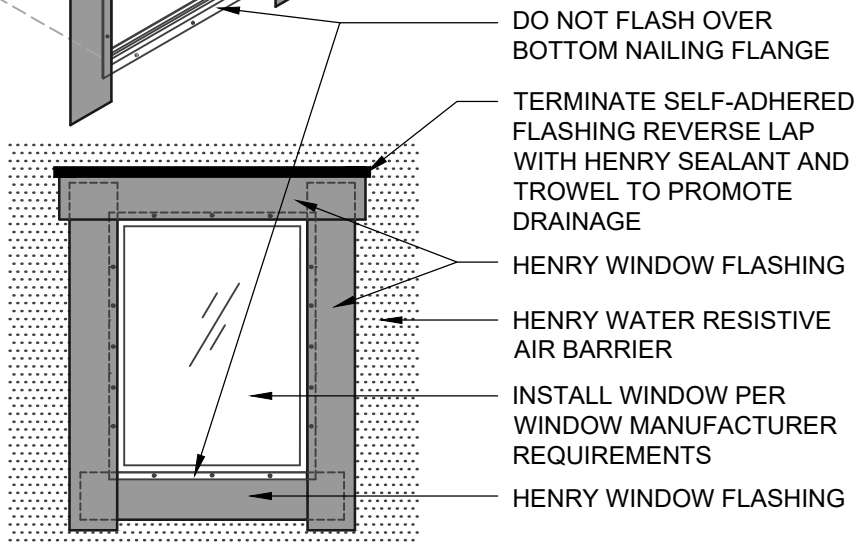
AB17MR-6A1-A



ASTM E2112 - METHOD A1
FLASHING INSTALLED AFTER WRB

Henry WATER RESISTIVE BARRIER (WRB) ASSEMBLY

HENRY WATER RESISTIVE AIR BARRIER
• AIR-BLOC 17MR
HENRY WINDOW FLASHING
• BLUESKIN SA • AIR-BLOC LF
HENRY SEALANT
• HENRY 925 BES SEALANT



ASTM E2112 - METHOD A1 (ELEVATION)
FLASHING INSTALLED AFTER WRB

NOTES:

1. DETAIL SHOWS **AIR-BLOC 17MR FLUID APPLIED VAPOR PERMEABLE AIR BARRIER**. SUBSTRATE SHOWN IS FOR REFERENCE ONLY. ACCEPTABLE SUBSTRATES INCLUDE PLYWOOD, OSB, CONCRETE, CMU, METAL, AND EXTERIOR GRADE SHEATHING.
2. OTHER FLASHING OPTIONS INCLUDE: **BLUESKIN SA LT, BLUESKIN BUTYL FLASH OR BLUESKIN METAL CLAD**.
3. PRIME CUT/RAW EDGES OF EXPOSED GYPSUM SHEATHING CORE PRIOR TO **AIR-BLOC LF** APPLICATION. RECOMMENDED PRIMER/ADHESIVE INCLUDE: **BLUESKIN SPRAY PREP**.
4. HENRY WINDOW FLASHING DETAILS ARE BASED ON ASTM E2112. ACTUAL CONDITIONS MAY VARY. VERIFY PROJECT SPECIFIC WINDOW INSTALLATION REQUIREMENTS AND FLASHING COMPATIBILITY WITH DESIGN PROFESSIONAL.
5. REFER TO PRODUCT SPECIFIC TECHNICAL DATA SHEET (TDS) AND **AIR-BLOC 17MR** GUIDE SPECIFICATION FOR INSTALLATION PROCEDURES.



999 N. Pacific Coast Highway, Suite 800
El Segundo, CA 90245
800-486-1278 • www.henry.com

MANUFACTURER GUIDE DETAILS ARE FOR REFERENCE ONLY. HENRY DOES NOT ASSUME RESPONSIBILITY FOR ERRORS OR DEVIATIONS IN DESIGN OR ENGINEERING. PROJECT SPECIFIC VERIFICATION IS RECOMMENDED PRIOR TO INSTALLATION.

AIR-BLOC 17MR FLUID APPLIED VAPOR PERMEABLE AIR BARRIER

FLANGED WINDOW

**ASTM E2112 METHOD A1
FLASHING INSTALLED AFTER WRB**

SCALE: N.T.S. 03-05-2020

AB17MR-6A1-C

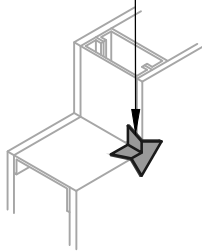
OPTION #1

GUSSET

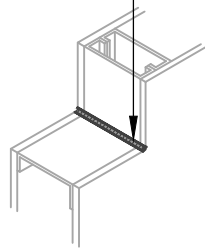
OPTION #2

SEALANT

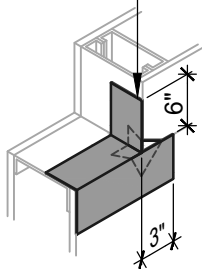
BLUESKIN SA



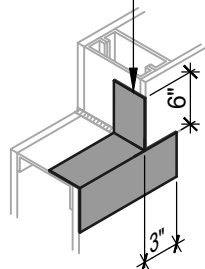
HENRY 925 BES SEALANT
OR AIR-BLOC LF



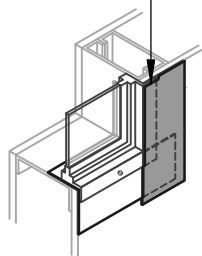
BLUESKIN SA



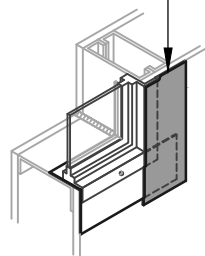
BLUESKIN SA OR
AIR-BLOC LF



BLUESKIN SA



BLUESKIN SA OR
AIR-BLOC LF



AIR-BLOC 17MR
LAP AIR BARRIER 1" ONTO
FLASHING

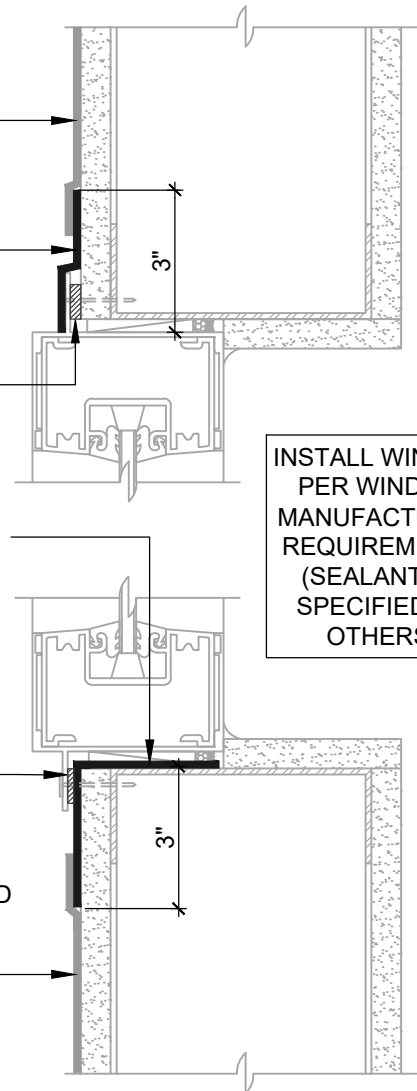
BLUESKIN SA OR
AIR-BLOC LF

SET WINDOW FLANGE
INTO A BED OF
HENRY 925 BES SEALANT

BLUESKIN SA OR AIR-BLOC LF
EXTEND FLASHING
3" (SUGGESTED) INTO ROUGH
OPENING (2" MIN)

SET WINDOW FLANGE
INTO A BED OF
HENRY 925 BES SEALANT
(APPLY INTERMITTENTLY ON
SILL FLANGE WHERE REQUIRED
TO ALLOW DRAINAGE)

AIR-BLOC 17MR
LAP AIR BARRIER 1" ONTO
FLASHING



INSTALL WINDOW
PER WINDOW
MANUFACTURER
REQUIREMENTS
(SEALANT AS
SPECIFIED BY
OTHERS)

WINDOW SILL/JAMB FLASHING

SEALANT AND GUSSET METHODS

ASTM E2112 - METHOD A (SECTION VIEW)

FLASHING INSTALLED BEFORE WRB

NOTES:

1. DETAIL SHOWS AIR-BLOC 17MR FLUID APPLIED VAPOR PERMEABLE AIR BARRIER. SUBSTRATE SHOWN IS FOR REFERENCE ONLY. ACCEPTABLE SUBSTRATES INCLUDE PLYWOOD, OSB, CONCRETE, CMU, METAL, AND EXTERIOR GRADE SHEATHING.
2. OTHER FLASHING OPTIONS INCLUDE: BLUESKIN SA LT, BLUESKIN BUTYL FLASH OR BLUESKIN METAL CLAD.
3. PRIME CUT/RAW EDGES OF EXPOSED GYPSUM SHEATHING CORE PRIOR TO AIR-BLOC LF APPLICATION. RECOMMENDED PRIMER/ADHESIVE INCLUDE: BLUESKIN SPRAY PREP.
4. HENRY WINDOW FLASHING DETAILS ARE BASED ON ASTM E2112. ACTUAL CONDITIONS MAY VARY. VERIFY PROJECT SPECIFIC WINDOW INSTALLATION REQUIREMENTS AND FLASHING COMPATIBILITY WITH DESIGN PROFESSIONAL.
5. INSTALL AIR-BLOC 17MR TO ACHIEVE A CONTINUOUS WATER-RESISTIVE BARRIER (WRB). INSULATION, CLADDING AND OPTIONAL VAPOR BARRIER NOT SHOWN FOR CLARITY. REFER TO LOCAL CODE ORDINANCES FOR INSULATION AND VAPOR BARRIER REQUIREMENTS.
6. REFER TO PRODUCT SPECIFIC TECHNICAL DATA SHEET (TDS) AND AIR-BLOC 17MR GUIDE SPECIFICATION FOR INSTALLATION PROCEDURES.



999 N. Pacific Coast Highway, Suite 800
El Segundo, CA 90245
800-486-1278 • www.henry.com

MANUFACTURER GUIDE DETAILS ARE FOR REFERENCE ONLY. HENRY DOES NOT ASSUME RESPONSIBILITY FOR ERRORS OR DEVIATIONS IN DESIGN OR ENGINEERING. PROJECT SPECIFIC VERIFICATION IS RECOMMENDED PRIOR TO INSTALLATION.

AIR-BLOC 17MR FLUID APPLIED VAPOR PERMEABLE AIR BARRIER

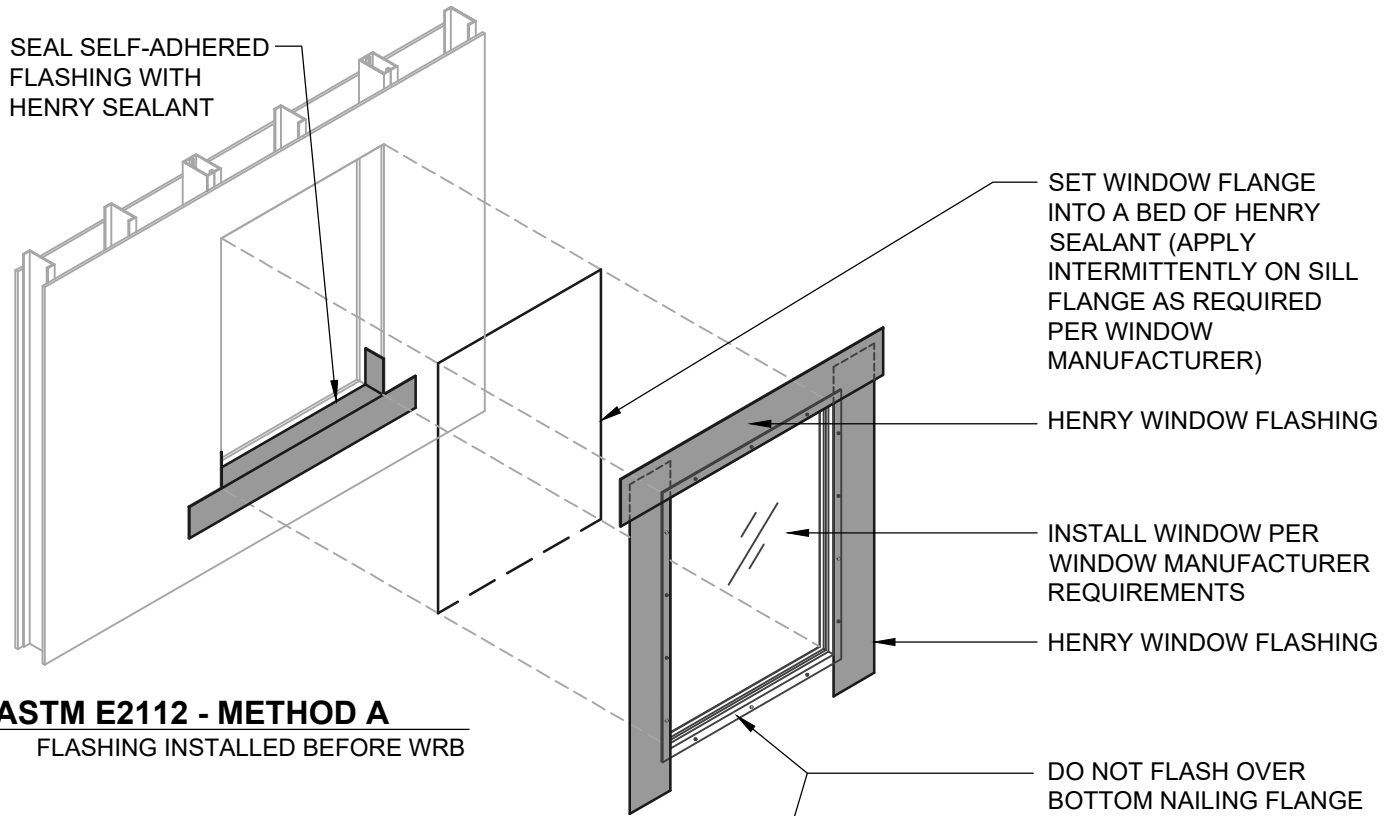
FLANGED WINDOW

ASTM E2112 METHOD A
FLASHING INSTALLED BEFORE WRB

SCALE: N.T.S.

03-05-2020

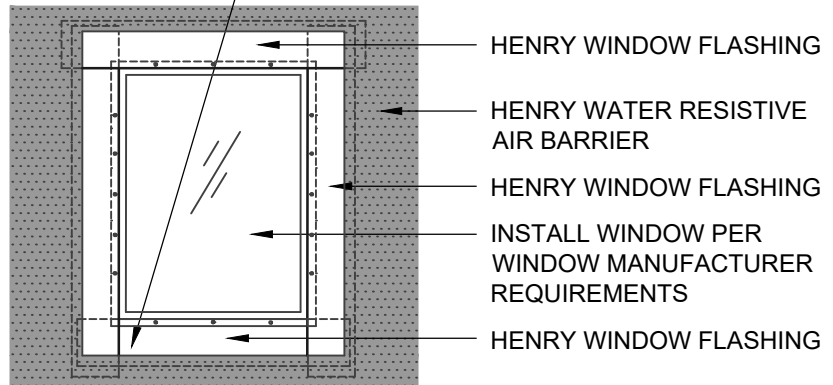
AB17MR-6A-A



ASTM E2112 - METHOD A
FLASHING INSTALLED BEFORE WRB

Henry WATER RESISTIVE BARRIER (WRB) ASSEMBLY

HENRY WATER RESISTIVE BARRIER
• AIR-BLOC 17MR
HENRY WINDOW FLASHING
• BLUESKIN SA • AIR-BLOC LF
HENRY SEALANT
• HENRY 925 BES SEALANT



ASTM E2112 - METHOD A (ELEVATION)
FLASHING INSTALLED BEFORE WRB

NOTES:

1. DETAIL SHOWS **AIR-BLOC 17MR FLUID APPLIED VAPOR PERMEABLE AIR BARRIER**. SUBSTRATE SHOWN IS FOR REFERENCE ONLY. ACCEPTABLE SUBSTRATES INCLUDE PLYWOOD, OSB, CONCRETE, CMU, METAL, AND EXTERIOR GRADE SHEATHING.
2. OTHER FLASHING OPTIONS INCLUDE: **BLUESKIN SA LT, BLUESKIN BUTYL FLASH OR BLUESKIN METAL CLAD**.
3. PRIME CUT/RAW EDGES OF EXPOSED GYPSUM SHEATHING CORE PRIOR TO **AIR-BLOC LF** APPLICATION. RECOMMENDED PRIMER/ADHESIVE INCLUDE: **BLUESKIN SPRAY PREP**.
4. HENRY WINDOW FLASHING DETAILS ARE BASED ON ASTM E2112. ACTUAL CONDITIONS MAY VARY. VERIFY PROJECT SPECIFIC WINDOW INSTALLATION REQUIREMENTS AND FLASHING COMPATIBILITY WITH DESIGN PROFESSIONAL.
5. REFER TO PRODUCT SPECIFIC TECHNICAL DATA SHEET (TDS) AND **AIR-BLOC 17MR** GUIDE SPECIFICATION FOR INSTALLATION PROCEDURES.

MANUFACTURER GUIDE DETAILS ARE FOR REFERENCE ONLY. HENRY DOES NOT ASSUME RESPONSIBILITY FOR ERRORS OR DEVIATIONS IN DESIGN OR ENGINEERING. PROJECT SPECIFIC VERIFICATION IS RECOMMENDED PRIOR TO INSTALLATION.

AIR-BLOC 17MR FLUID APPLIED VAPOR PERMEABLE AIR BARRIER

FLANGED WINDOW

**ASTM E2112 METHOD A
FLASHING INSTALLED BEFORE WRB**

SCALE: N.T.S.

03-05-2020

AB17MR-6A-C

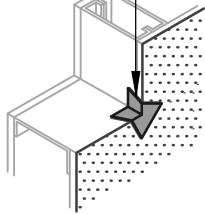


999 N. Pacific Coast Highway, Suite 800
El Segundo, CA 90245
800-486-1278 • www.henry.com

OPTION #1

GUSSET

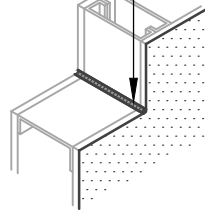
BLUESKIN SA



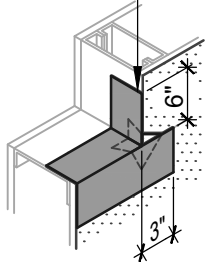
OPTION #2

SEALANT

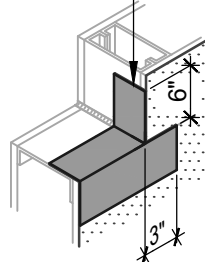
HENRY 925 BES SEALANT
OR AIR-BLOC LF



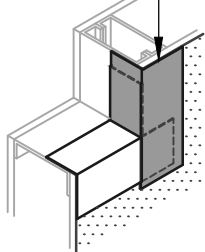
BLUESKIN SA



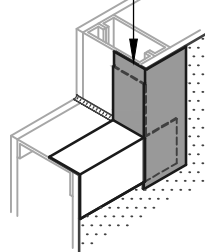
BLUESKIN SA
OR AIR-BLOC LF



BLUESKIN SA

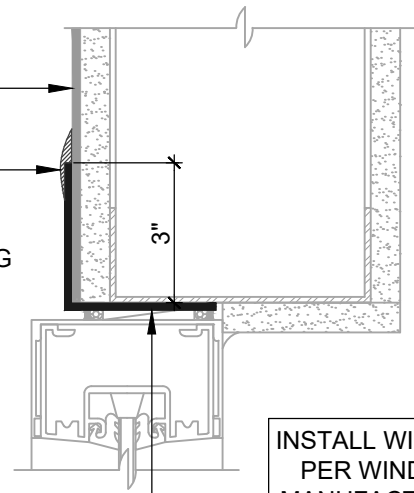


BLUESKIN SA
OR AIR-BLOC LF

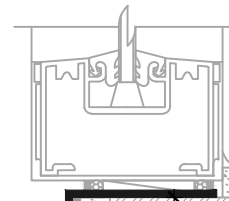


AIR-BLOC 17MR

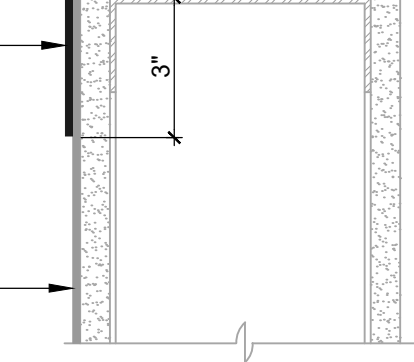
HENRY 925 BES SEALANT
OR AIR-BLOC LF
ENCAPSULATE UPPER EDGE
OF SELF-ADHERED FLASHING
REVERSE LAP



BLUESKIN SA OR
AIR-BLOC LF
EXTEND FLASHING
3" (SUGGESTED) INTO
ROUGH OPENING (2" MIN)



BLUESKIN SA OR
AIR-BLOC LF
EXTEND FLASHING
3" (SUGGESTED) INTO
ROUGH OPENING (2" MIN)



AIR-BLOC 17MR

INSTALL WINDOW
PER WINDOW
MANUFACTURER
REQUIREMENTS
(SEALANT AS
SPECIFIED BY
OTHERS)

WINDOW SILL/JAMB FLASHING

SEALANT AND GUSSET METHODS

ASTM E2112- METHOD B1 (SECTION VIEW)

FLASHING INSTALLED AFTER WRB

NOTES:

1. DETAIL SHOWS **AIR-BLOC 17MR FLUID APPLIED VAPOR PERMEABLE AIR BARRIER**. SUBSTRATE SHOWN IS FOR REFERENCE ONLY. ACCEPTABLE SUBSTRATES INCLUDE PLYWOOD, OSB, CONCRETE, CMU, METAL, AND EXTERIOR GRADE SHEATHING.
2. OTHER FLASHING OPTIONS INCLUDE: **BLUESKIN SA LT, BLUESKIN BUTYL FLASH OR BLUESKIN METAL CLAD**.
3. PRIME CUT/RAW EDGES OF EXPOSED GYPSUM SHEATHING CORE PRIOR TO **AIR-BLOC LF** APPLICATION. RECOMMENDED PRIMER/ADHESIVE INCLUDE: **BLUESKIN SPRAY PREP**.
4. HENRY WINDOW FLASHING DETAILS ARE BASED ON ASTM E2112. ACTUAL CONDITIONS MAY VARY. VERIFY PROJECT SPECIFIC WINDOW INSTALLATION REQUIREMENTS AND FLASHING COMPATIBILITY WITH DESIGN PROFESSIONAL.
5. INSTALL **AIR-BLOC 17MR** TO ACHIEVE A CONTINUOUS WATER-RESISTIVE BARRIER (WRB). INSULATION, CLADDING AND OPTIONAL VAPOR BARRIER NOT SHOWN FOR CLARITY. REFER TO LOCAL CODE ORDINANCES FOR INSULATION AND VAPOR BARRIER REQUIREMENTS.
6. REFER TO PRODUCT SPECIFIC TECHNICAL DATA SHEET (TDS) AND **AIR-BLOC 17MR** GUIDE SPECIFICATION FOR FOR INSTALLATION PROCEDURES.

Henry®

999 N. Pacific Coast Highway, Suite 800
El Segundo, CA 90245
800-486-1278 • www.henry.com

MANUFACTURER GUIDE DETAILS ARE FOR REFERENCE ONLY. HENRY DOES NOT ASSUME RESPONSIBILITY FOR ERRORS OR DEVIATIONS IN DESIGN OR ENGINEERING. PROJECT SPECIFIC VERIFICATION IS RECOMMENDED PRIOR TO INSTALLATION.

AIR-BLOC 17MR FLUID APPLIED VAPOR PERMEABLE AIR BARRIER

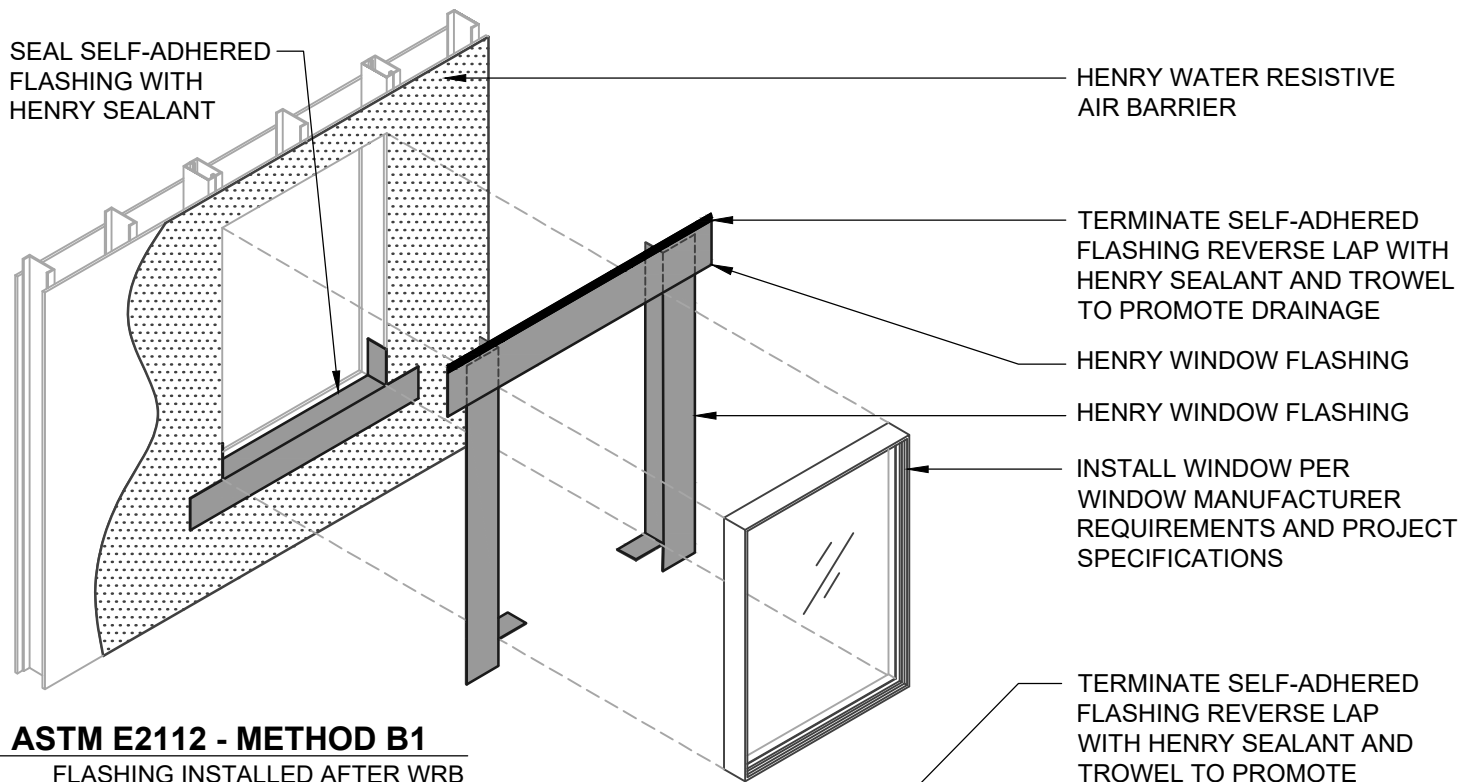
NON-FLANGED WINDOW

**ASTM E2112 METHOD B1
FLASHING INSTALLED AFTER WRB**

SCALE: N.T.S.

03-05-2020

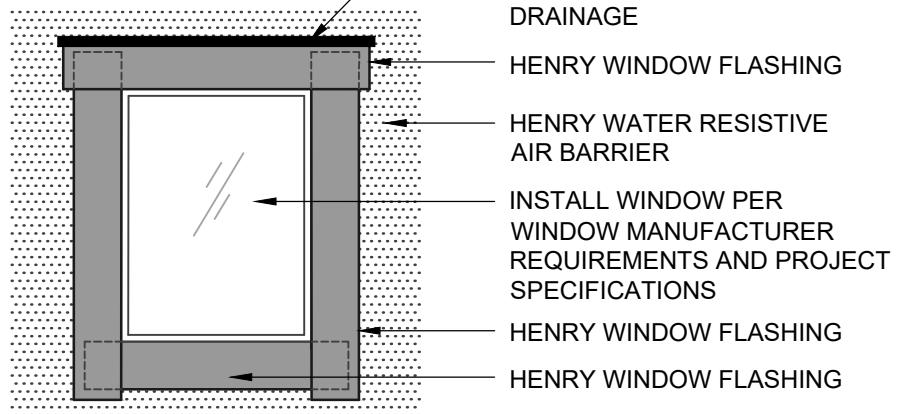
AB17MR-6B1-A



ASTM E2112 - METHOD B1
FLASHING INSTALLED AFTER WRB

Henry WATER RESISTIVE BARRIER (WRB) ASSEMBLY

HENRY WATER RESISTIVE AIR BARRIER
<ul style="list-style-type: none"> • AIR-BLOC 17MR
HENRY WINDOW FLASHING
<ul style="list-style-type: none"> • BLUESKIN SA • AIR-BLOC LF
HENRY SEALANT
<ul style="list-style-type: none"> • HENRY 925 BES SEALANT



ASTM E2112 - METHOD B1 (ELEVATION)
FLASHING INSTALLED AFTER WRB

NOTES:

1. DETAIL SHOWS **AIR-BLOC 17MR FLUID APPLIED VAPOR PERMEABLE AIR BARRIER**. SUBSTRATE SHOWN IS FOR REFERENCE ONLY. ACCEPTABLE SUBSTRATES INCLUDE PLYWOOD, OSB, CONCRETE, CMU, METAL, AND EXTERIOR GRADE SHEATHING.
2. OTHER FLASHING OPTIONS INCLUDE: **BLUESKIN BUTYL FLASH, BLUESKIN SA LT OR BLUESKIN METAL CLAD**.
3. PRIME CUT/RAW EDGES OF EXPOSED GYPSUM SHEATHING CORE PRIOR TO **AIR-BLOC LF** APPLICATION. RECOMMENDED PRIMER/ADHESIVE INCLUDE: **BLUESKIN SPRAY PREP**.
4. HENRY WINDOW FLASHING DETAILS ARE BASED ON ASTM E2112. ACTUAL CONDITIONS MAY VARY. VERIFY PROJECT SPECIFIC WINDOW INSTALLATION REQUIREMENTS AND FLASHING COMPATIBILITY WITH DESIGN PROFESSIONAL.
5. REFER TO PRODUCT SPECIFIC TECHNICAL DATA SHEET (TDS) AND **AIR-BLOC 17MR** GUIDE SPECIFICATION FOR INSTALLATION PROCEDURES.



999 N. Pacific Coast Highway, Suite 800
El Segundo, CA 90245
800-486-1278 • www.henry.com

MANUFACTURER GUIDE DETAILS ARE FOR REFERENCE ONLY. HENRY DOES NOT ASSUME RESPONSIBILITY FOR ERRORS OR DEVIATIONS IN DESIGN OR ENGINEERING. PROJECT SPECIFIC VERIFICATION IS RECOMMENDED PRIOR TO INSTALLATION.

AIR-BLOC 17MR FLUID APPLIED VAPOR PERMEABLE AIR BARRIER

NON-FLANGED WINDOW

**ASTM E2112 METHOD B1
FLASHING INSTALLED AFTER WRB**

SCALE: N.T.S.

03-05-2020

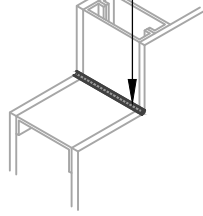
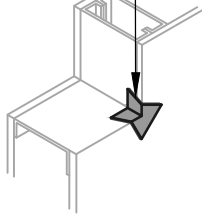
AB17MR-6B1-C

OPTION #1
GUSSET

OPTION #2
SEALANT

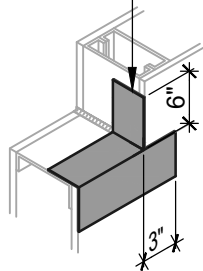
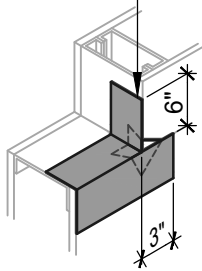
BLUESKIN SA

HENRY 925 BES SEALANT
OR AIR-BLOC LF



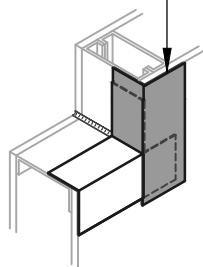
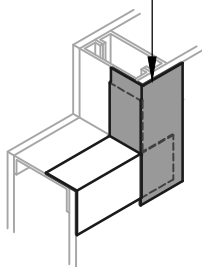
BLUESKIN SA

BLUESKIN SA
OR AIR-BLOC LF



BLUESKIN SA

BLUESKIN SA
OR AIR-BLOC LF

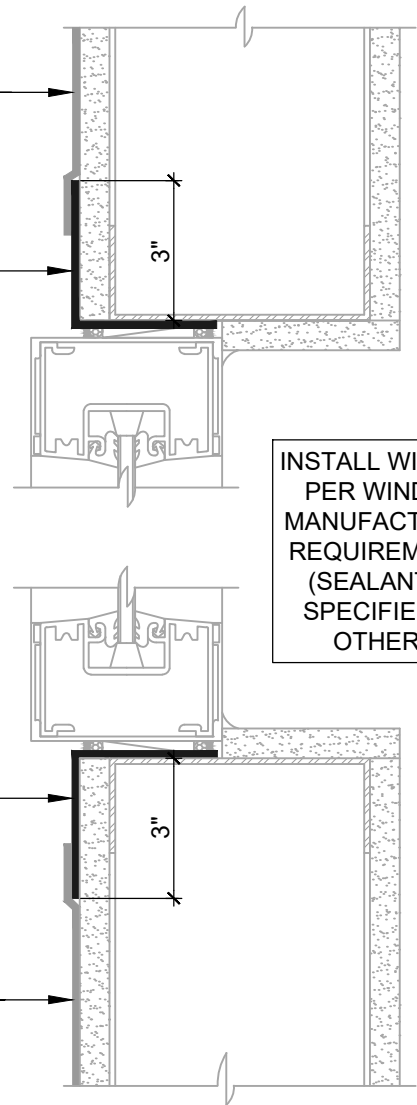


AIR-BLOC 17MR
LAP AIR BARRIER 1" ONTO
FLASHING

BLUESKIN SA OR
AIR-BLOC LF
EXTEND FLASHING
3" (SUGGESTED) INTO
ROUGH OPENING (2" MIN)

BLUESKIN SA OR
AIR-BLOC LF
EXTEND FLASHING
3" (SUGGESTED) INTO
ROUGH OPENING (2" MIN)

AIR-BLOC 17MR
LAP AIR BARRIER 1" ONTO
FLASHING



INSTALL WINDOW
PER WINDOW
MANUFACTURER
REQUIREMENTS
(SEALANT AS
SPECIFIED BY
OTHERS)

WINDOW SILL/JAMB FLASHING
SEALANT AND GUSSET METHODS

ASTM E2112- METHOD B (SECTION VIEW)

FLASHING INSTALLED BEFORE WRB

NOTES:

1. DETAIL SHOWS AIR-BLOC 17MR FLUID APPLIED VAPOR PERMEABLE AIR BARRIER. SUBSTRATE SHOWN IS FOR REFERENCE ONLY. ACCEPTABLE SUBSTRATES INCLUDE PLYWOOD, OSB, CONCRETE, CMU, METAL, AND EXTERIOR GRADE SHEATHING.
2. OTHER FLASHING OPTIONS INCLUDE: BLUESKIN SA LT, BLUESKIN BUTYL FLASH OR BLUESKIN METAL CLAD.
3. PRIME CUT/RAW EDGES OF EXPOSED GYPSUM SHEATHING CORE PRIOR TO AIR-BLOC LF APPLICATION. RECOMMENDED PRIMER/ADHESIVE INCLUDE: BLUESKIN SPRAY PREP.
4. HENRY WINDOW FLASHING DETAILS ARE BASED ON ASTM E2112. ACTUAL CONDITIONS MAY VARY. VERIFY PROJECT SPECIFIC WINDOW INSTALLATION REQUIREMENTS AND FLASHING COMPATIBILITY WITH DESIGN PROFESSIONAL.
5. INSTALL AIR-BLOC 17MR TO ACHIEVE A CONTINUOUS WATER-RESISTIVE BARRIER (WRB). INSULATION, CLADDING AND OPTIONAL VAPOR BARRIER NOT SHOWN FOR CLARITY. REFER TO LOCAL CODE ORDINANCES FOR INSULATION AND VAPOR BARRIER REQUIREMENTS.
6. REFER TO PRODUCT SPECIFIC TECHNICAL DATA SHEET (TDS) AND AIR-BLOC 17MR GUIDE SPECIFICATION FOR INSTALLATION PROCEDURES.

Henry[®]

999 N. Pacific Coast Highway, Suite 800
El Segundo, CA 90245
800-486-1278 • www.henry.com

MANUFACTURER GUIDE DETAILS ARE FOR REFERENCE ONLY. HENRY DOES NOT ASSUME RESPONSIBILITY FOR ERRORS OR DEVIATIONS IN DESIGN OR ENGINEERING. PROJECT SPECIFIC VERIFICATION IS RECOMMENDED PRIOR TO INSTALLATION.

AIR-BLOC 17MR FLUID APPLIED VAPOR PERMEABLE AIR BARRIER

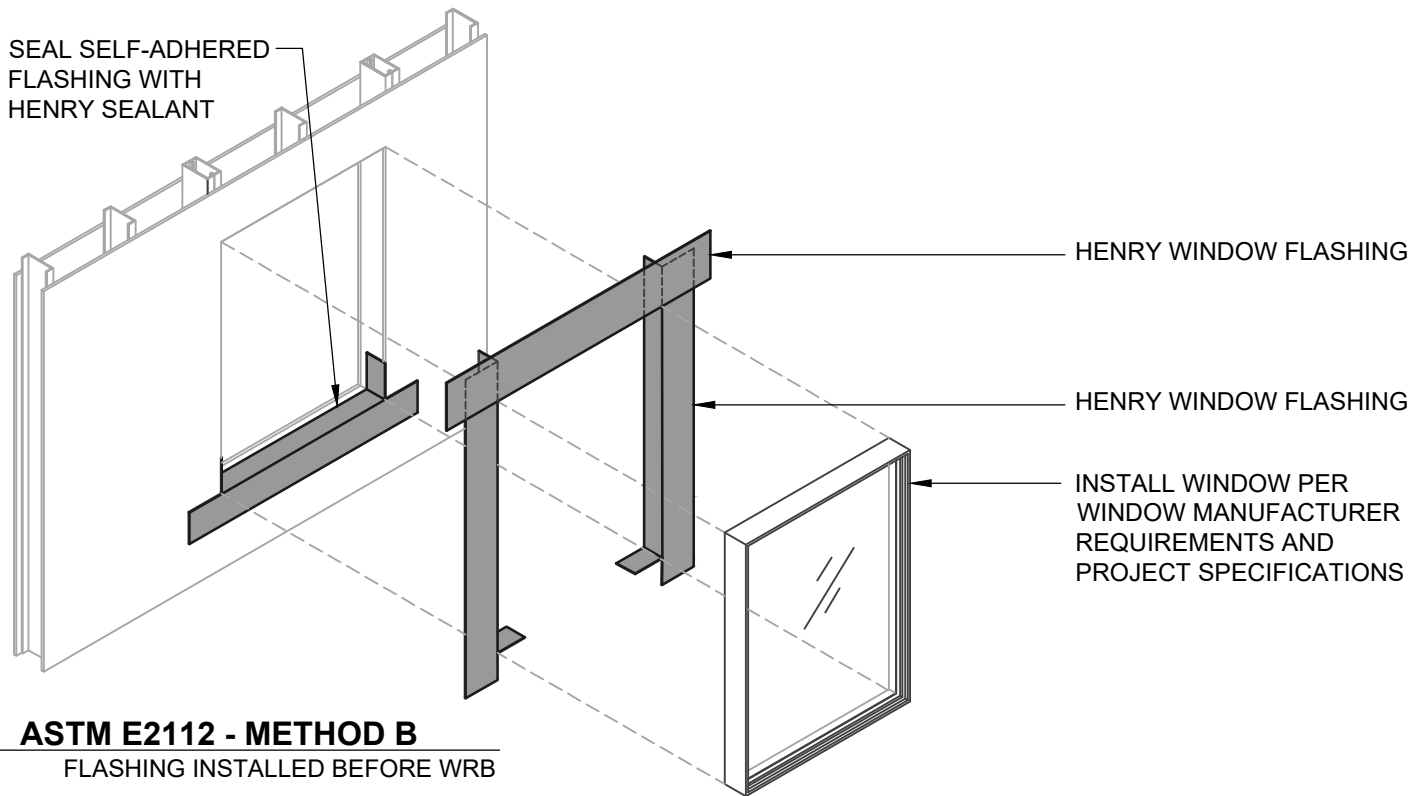
NON-FLANGED WINDOW

**ASTM E2112 METHOD B
FLASHING INSTALLED BEFORE WRB**

SCALE: N.T.S.

03-05-2020

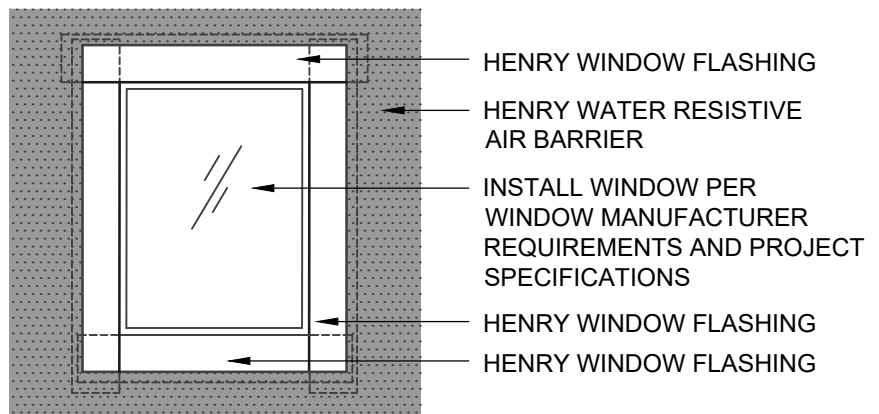
AB17MR-6B-A



ASTM E2112 - METHOD B
FLASHING INSTALLED BEFORE WRB

Henry WATER RESISTIVE BARRIER (WRB) ASSEMBLY

HENRY WATER RESISTIVE AIR BARRIER
<ul style="list-style-type: none"> • AIR-BLOC 17MR
HENRY WINDOW FLASHING
<ul style="list-style-type: none"> • BLUESKIN SA • AIR-BLOC LF
HENRY SEALANT
<ul style="list-style-type: none"> • HENRY 925 BES SEALANT



ASTM E2112 - METHOD B (ELEVATION)
FLASHING INSTALLED BEFORE WRB

NOTES:

1. DETAIL SHOWS **AIR-BLOC 17MR FLUID APPLIED VAPOR PERMEABLE AIR BARRIER**. SUBSTRATE SHOWN IS FOR REFERENCE ONLY. ACCEPTABLE SUBSTRATES INCLUDE PLYWOOD, OSB, CONCRETE, CMU, METAL, AND EXTERIOR GRADE SHEATHING.
2. OTHER FLASHING OPTIONS INCLUDE: **BLUESKIN SA LT, BLUESKIN BUTYL FLASH OR BLUESKIN METAL CLAD**.
3. PRIME CUT/RAW EDGES OF EXPOSED GYPSUM SHEATHING CORE PRIOR TO **AIR-BLOC LF** APPLICATION. RECOMMENDED PRIMER/ADHESIVE INCLUDE: **BLUESKIN SPRAY PREP**.
4. HENRY WINDOW FLASHING DETAILS ARE BASED ON ASTM E2112. ACTUAL CONDITIONS MAY VARY. VERIFY PROJECT SPECIFIC WINDOW INSTALLATION REQUIREMENTS AND FLASHING COMPATIBILITY WITH DESIGN PROFESSIONAL.
5. REFER TO PRODUCT SPECIFIC TECHNICAL DATA SHEET (TDS) AND **AIR-BLOC 17MR** GUIDE SPECIFICATION FOR FOR INSTALLATION PROCEDURES.



999 N. Pacific Coast Highway, Suite 800
El Segundo, CA 90245
800-486-1278 • www.henry.com

MANUFACTURER GUIDE DETAILS ARE FOR REFERENCE ONLY. HENRY DOES NOT ASSUME RESPONSIBILITY FOR ERRORS OR DEVIATIONS IN DESIGN OR ENGINEERING. PROJECT SPECIFIC VERIFICATION IS RECOMMENDED PRIOR TO INSTALLATION.

AIR-BLOC 17MR FLUID APPLIED VAPOR PERMEABLE AIR BARRIER

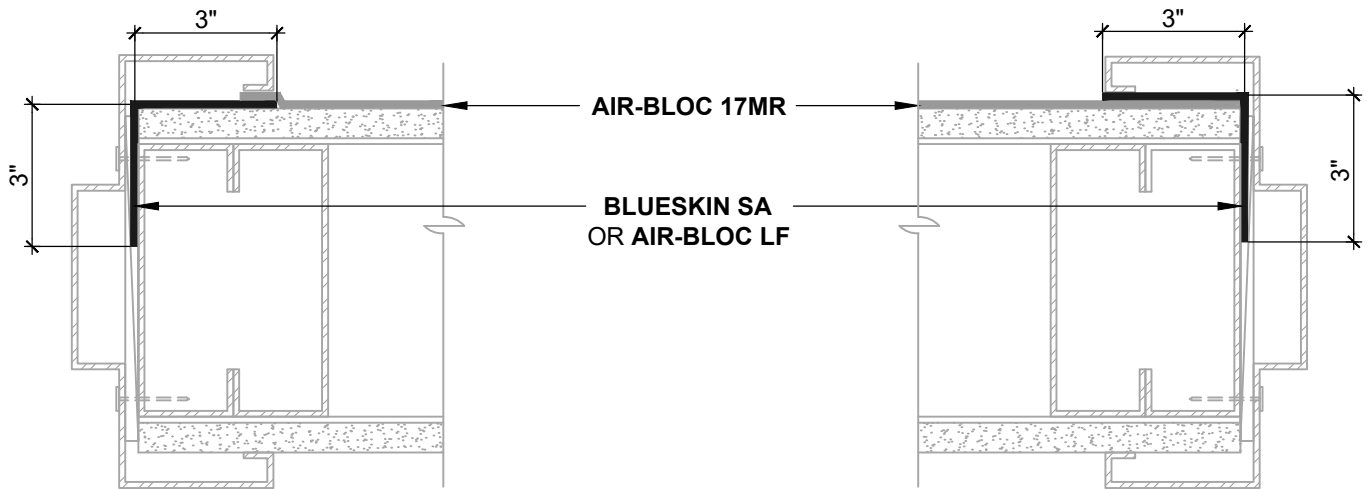
NON-FLANGED WINDOW

**ASTM E2112 METHOD B
FLASHING INSTALLED BEFORE WRB**

SCALE: N.T.S.

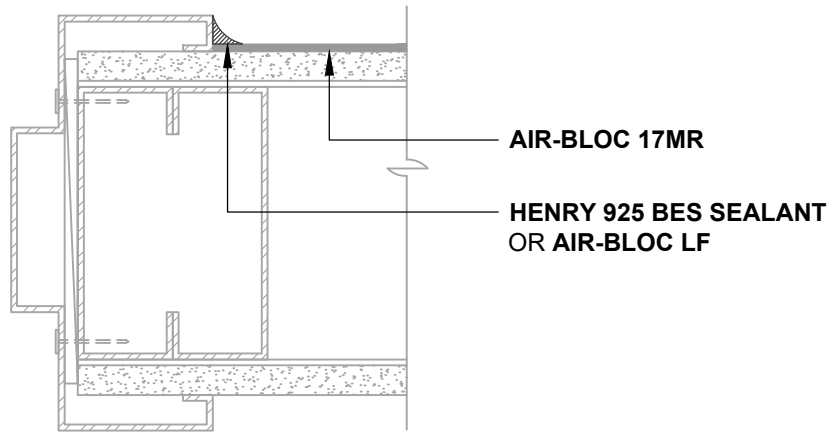
03-05-2020

AB17MR-6B-C



ASTM E2112- METHOD B1 (PLAN VIEW)
FLASHING INSTALLED BEFORE WRB

ASTM E2112- METHOD B1 (PLAN VIEW)
FLASHING INSTALLED AFTER WRB



ASTM E2112- METHOD A (PLAN VIEW)
WRB INSTALLED AFTER DOOR FRAME

NOTES:

1. DETAIL SHOWS **AIR-BLOC 17MR FLUID APPLIED VAPOR PERMEABLE AIR BARRIER**. SUBSTRATE SHOWN IS FOR REFERENCE ONLY. ACCEPTABLE SUBSTRATES INCLUDE PLYWOOD, OSB, CONCRETE, CMU, METAL, AND EXTERIOR GRADE SHEATHING.
2. OTHER FLASHING OPTIONS INCLUDE: **BLUESKIN SA LT, BLUESKIN BUTYL FLASH OR BLUESKIN METAL CLAD**.
3. PRIME CUT/RAW EDGES OF EXPOSED GYPSUM SHEATHING CORE PRIOR TO **AIR-BLOC LF** APPLICATION. RECOMMENDED PRIMER/ADHESIVE INCLUDE: **BLUESKIN SPRAY PREP**.
4. HENRY DOOR FLASHING DETAILS ARE BASED ON ASTM E2112. ACTUAL CONDITIONS MAY VARY. VERIFY PROJECT SPECIFIC WINDOW INSTALLATION REQUIREMENTS WITH DESIGN PROFESSIONAL.
5. INSTALL **AIR-BLOC 17MR** TO ACHIEVE A CONTINUOUS WATER-RESISTIVE BARRIER (WRB). INSULATION, CLADDING AND OPTIONAL VAPOR BARRIER NOT SHOWN FOR CLARITY. REFER TO LOCAL CODE ORDINANCES FOR INSULATION AND VAPOR BARRIER REQUIREMENTS.
6. REFER TO PRODUCT SPECIFIC TECHNICAL DATA SHEET (TDS) AND **AIR-BLOC 17MR** GUIDE SPECIFICATION FOR INSTALLATION PROCEDURES.

MANUFACTURER GUIDE DETAILS ARE FOR REFERENCE ONLY. HENRY DOES NOT ASSUME RESPONSIBILITY FOR ERRORS OR DEVIATIONS IN DESIGN OR ENGINEERING. PROJECT SPECIFIC VERIFICATION IS RECOMMENDED PRIOR TO INSTALLATION.

AIR-BLOC 17MR FLUID APPLIED VAPOR PERMEABLE AIR BARRIER

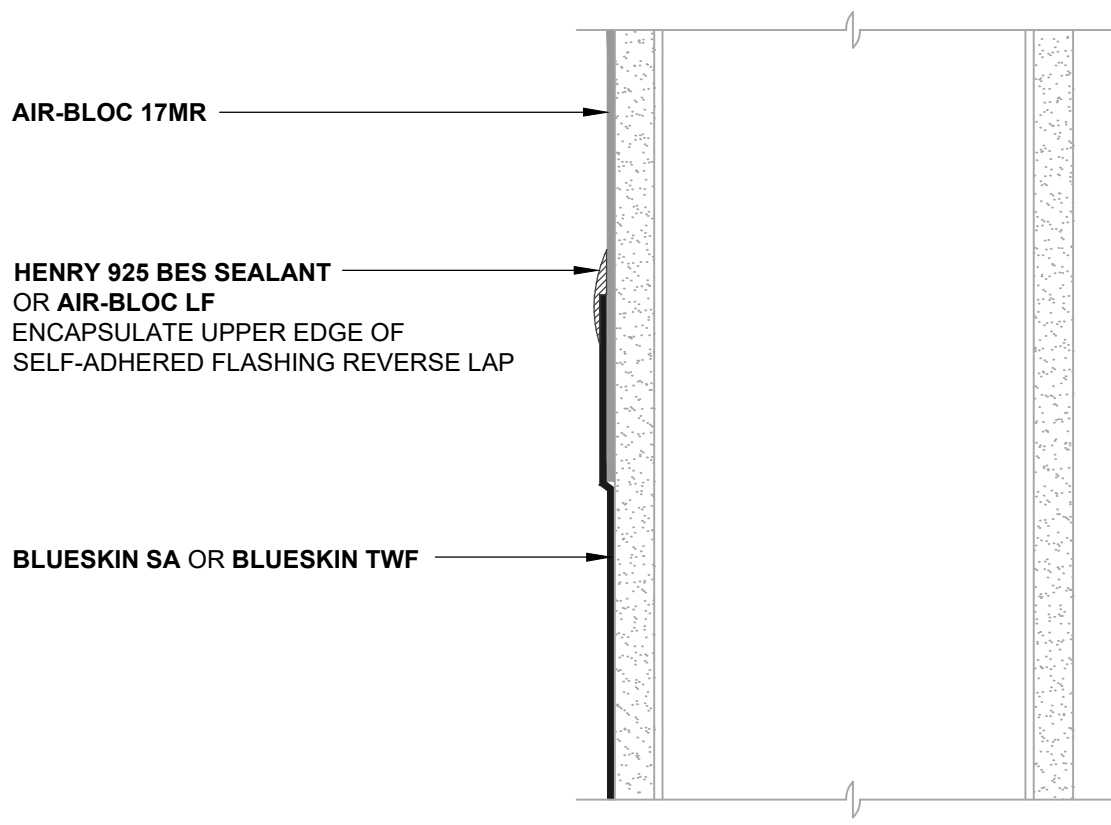
DOOR JAMB
TYPICAL JAMB FLASHING OPTIONS
HOLLOW METAL DOOR JAMB

SCALE: N.T.S. 03-05-2020

AB17MR-6C

Henry[®]

999 N. Pacific Coast Highway, Suite 800
El Segundo, CA 90245
800-486-1278 • www.henry.com



AIR-BLOC 17MR

**HENRY 925 BES SEALANT
OR AIR-BLOC LF**
ENCAPSULATE UPPER EDGE OF
SELF-ADHERED FLASHING REVERSE LAP

BLUESKIN SA OR BLUESKIN TWF

REVERSE LAPS (SECTION VIEW)
FLASHING INSTALLED AFTER WRB

NOTES:

1. DETAIL SHOWS **AIR-BLOC 17MR FLUID APPLIED VAPOR PERMEABLE AIR BARRIER**. SUBSTRATE SHOWN IS FOR REFERENCE ONLY. ACCEPTABLE SUBSTRATES INCLUDE PLYWOOD, OSB, CONCRETE, CMU, METAL, AND EXTERIOR GRADE SHEATHING.
2. OTHER FLASHING OPTIONS INCLUDE: **BLUESKIN SA LT, BLUESKIN BUTYL FLASH OR BLUESKIN METAL CLAD**.
3. INSTALL **AIR-BLOC 17MR** TO ACHIEVE A CONTINUOUS WATER-RESISTIVE BARRIER (WRB). INSULATION, CLADDING AND OPTIONAL VAPOR BARRIER NOT SHOWN FOR CLARITY. REFER TO LOCAL CODE ORDINANCES FOR INSULATION AND VAPOR BARRIER REQUIREMENTS.
4. REFER TO PRODUCT SPECIFIC TECHNICAL DATA SHEET (TDS) AND **AIR-BLOC 17MR GUIDE** SPECIFICATION FOR INSTALLATION PROCEDURES.



999 N. Pacific Coast Highway, Suite 800
El Segundo, CA 90245
800-486-1278 • www.henry.com

MANUFACTURER GUIDE DETAILS ARE FOR REFERENCE ONLY. HENRY DOES NOT ASSUME RESPONSIBILITY FOR ERRORS OR DEVIATIONS IN DESIGN OR ENGINEERING. PROJECT SPECIFIC VERIFICATION IS RECOMMENDED PRIOR TO INSTALLATION.

AIR-BLOC 17MR FLUID APPLIED VAPOR PERMEABLE AIR BARRIER

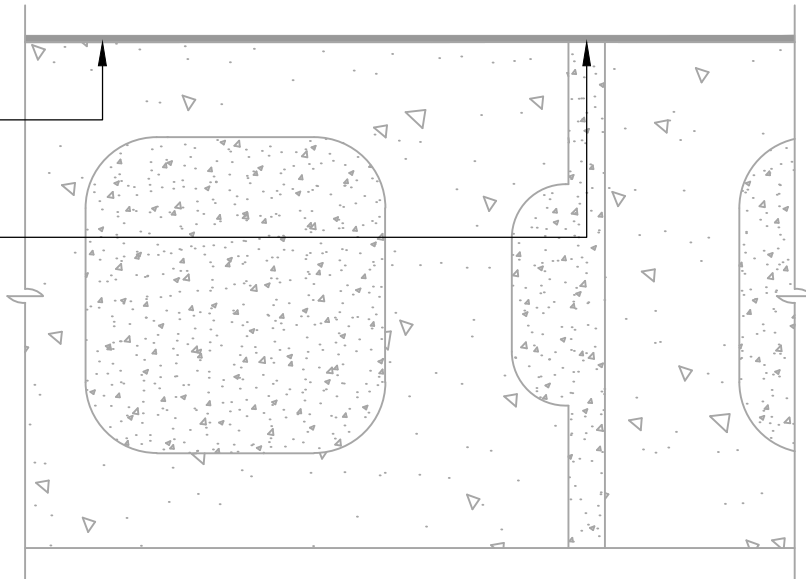
REVERSE LAP
SELF-ADHERED FLASHING
LAPPING ONTO AIR-BLOC 17MR

SCALE: N.T.S. 03-05-2020

AB17MR-7A1

AIR-BLOC 17MR

FILL GROUT AND STRIKE MORTAR FULL AND FLUSH WITH FACE OF BLOCK (SEE NOTE #2)

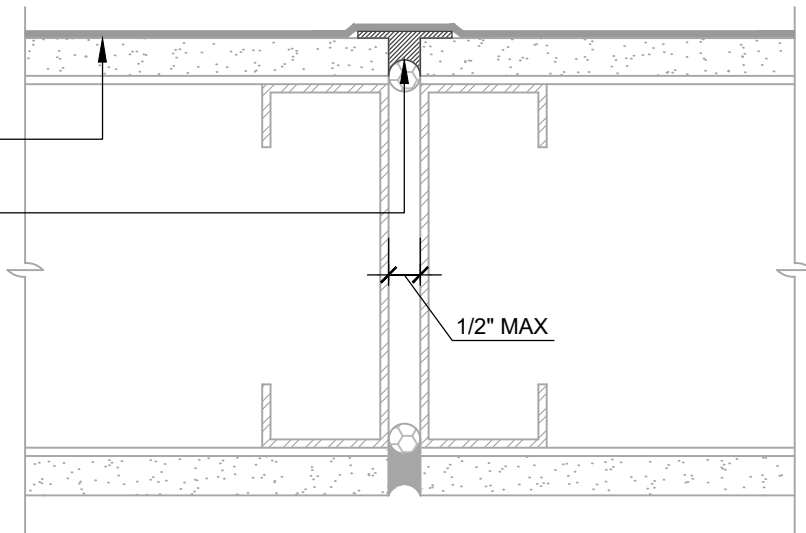


CMU MORTAR JOINTS (PLAN VIEW)

STRIKE MORTAR FULL AND FLUSH

AIR-BLOC 17MR

HENRY 925 BES SEALANT OR AIR-BLOC LF



GAPS UP TO 1/2" MAX (PLAN VIEW)

FLASHING INSTALLED BEFORE WRB

NOTES:

1. DETAIL SHOWS **AIR-BLOC 17MR FLUID APPLIED VAPOR PERMEABLE AIR BARRIER**. SUBSTRATE SHOWN IS FOR REFERENCE ONLY. ACCEPTABLE SUBSTRATES INCLUDE PLYWOOD, OSB, CONCRETE, CMU, METAL, AND EXTERIOR GRADE SHEATHING.
2. FILL GROUT AND STRIKE CMU JOINTS FULL AND FLUSH TO CREATE A CONTINUOUS SUBSTRATE. REFER TO PRODUCT SPECIFIC TECHNICAL DATA SHEET FOR CURE TIME PRIOR TO AIR BARRIER INSTALLATION.
3. INSTALL **AIR-BLOC 17MR** TO ACHIEVE A CONTINUOUS WATER-RESISTIVE BARRIER (WRB). INSULATION, CLADDING AND OPTIONAL VAPOR BARRIER NOT SHOWN FOR CLARITY. REFER TO LOCAL CODE ORDINANCES FOR INSULATION AND VAPOR BARRIER REQUIREMENTS.
4. REFER TO PRODUCT SPECIFIC TECHNICAL DATA SHEET (TDS) AND **AIR-BLOC 17MR** GUIDE SPECIFICATION FOR INSTALLATION PROCEDURES.

Henry[®]

999 N. Pacific Coast Highway, Suite 800
El Segundo, CA 90245
800-486-1278 • www.henry.com

MANUFACTURER GUIDE DETAILS ARE FOR REFERENCE ONLY. HENRY DOES NOT ASSUME RESPONSIBILITY FOR ERRORS OR DEVIATIONS IN DESIGN OR ENGINEERING. PROJECT SPECIFIC VERIFICATION IS RECOMMENDED PRIOR TO INSTALLATION.

AIR-BLOC 17MR FLUID APPLIED VAPOR PERMEABLE AIR BARRIER

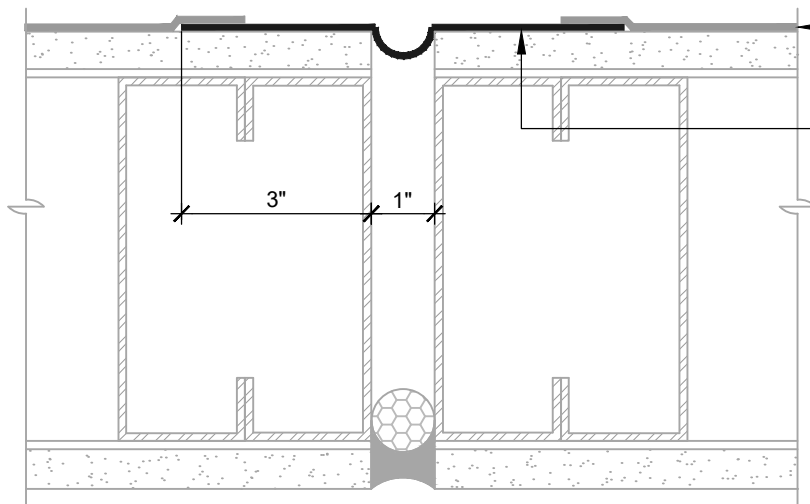
NON-MOVING JOINTS

**CMU MORTAR JOINTS AND
SUBSTRATE GAPS UP TO 1/2" WIDE MAXIMUM**

SCALE: N.T.S.

03-05-2020

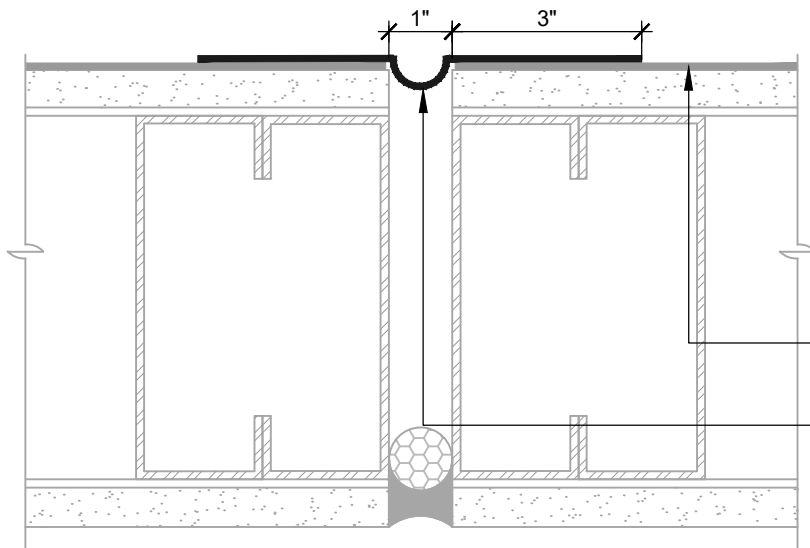
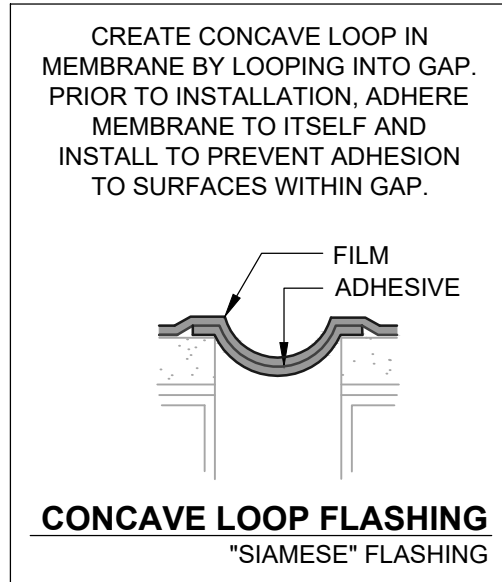
AB17MR-8A



GAPS UP TO 1" MAX (PLAN VIEW)
FLASHING INSTALLED BEFORE WRB

AIR-BLOC 17MR
LAP AIR BARRIER 1" ONTO FLASHING

BLUESKIN SA
(SEE CONCAVE LOOP FLASHING DETAIL)



GAPS UP TO 1" MAX (PLAN VIEW)
FLASHING INSTALLED AFTER WRB

AIR-BLOC 17MR

BLUESKIN SA
(SEE CONCAVE LOOP FLASHING DETAIL)

NOTES:

1. DETAIL SHOWS **AIR-BLOC 17MR FLUID APPLIED VAPOR PERMEABLE AIR BARRIER**. SUBSTRATE SHOWN IS FOR REFERENCE ONLY. ACCEPTABLE SUBSTRATES INCLUDE PLYWOOD, OSB, CONCRETE, CMU, METAL, AND EXTERIOR GRADE SHEATHING.
2. OTHER FLASHING OPTIONS INCLUDE: **BLUESKIN SA LT, BLUESKIN BUTYL FLASH OR BLUESKIN METAL CLAD**.
3. INSTALL **AIR-BLOC 17MR** TO ACHIEVE A CONTINUOUS WATER-RESISTIVE BARRIER (WRB). INSULATION, CLADDING AND OPTIONAL VAPOR BARRIER NOT SHOWN FOR CLARITY. REFER TO LOCAL CODE ORDINANCES FOR INSULATION AND VAPOR BARRIER REQUIREMENTS.
4. REFER TO PRODUCT SPECIFIC TECHNICAL DATA SHEET (TDS) AND **AIR-BLOC 17MR** GUIDE SPECIFICATION FOR INSTALLATION PROCEDURES.

MANUFACTURER GUIDE DETAILS ARE FOR REFERENCE ONLY. HENRY DOES NOT ASSUME RESPONSIBILITY FOR ERRORS OR DEVIATIONS IN DESIGN OR ENGINEERING. PROJECT SPECIFIC VERIFICATION IS RECOMMENDED PRIOR TO INSTALLATION.

AIR-BLOC 17MR FLUID APPLIED VAPOR PERMEABLE AIR BARRIER

NON-MOVING JOINTS

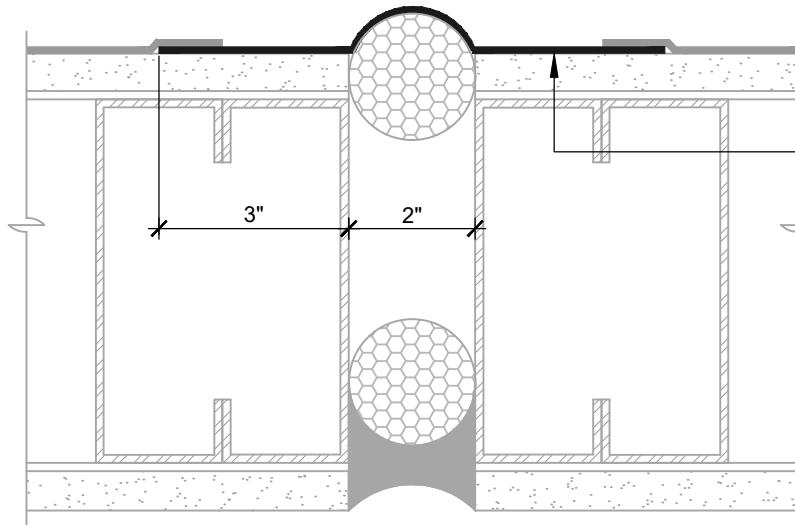
**SUBSTRATE GAPS UP TO 1" WIDE MAXIMUM
SELF-ADHERED FLASHING**

SCALE: N.T.S. 03-05-2020

AB17MR-8B1

Henry[®]

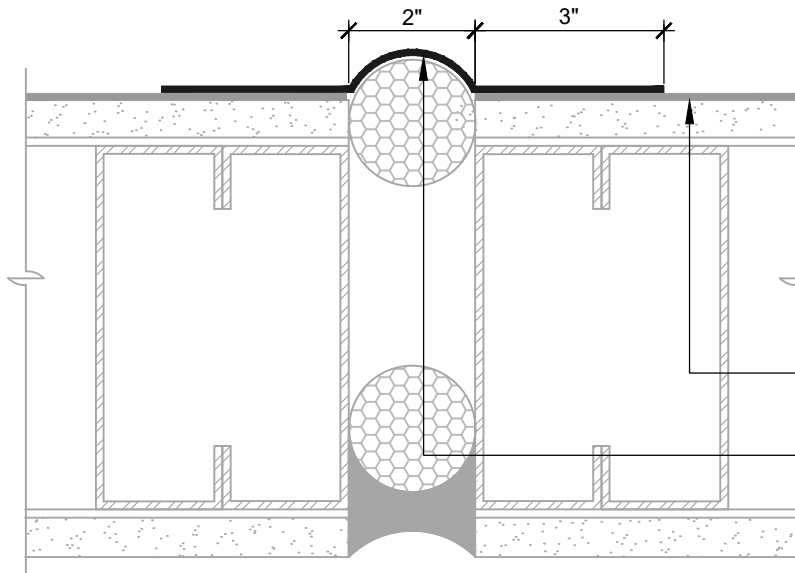
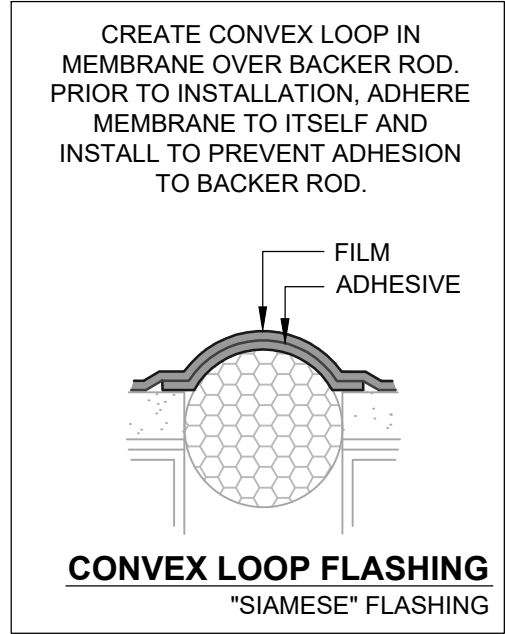
999 N. Pacific Coast Highway, Suite 800
El Segundo, CA 90245
800-486-1278 • www.henry.com



GAPS UP TO 2" MAX (PLAN VIEW)
FLASHING INSTALLED BEFORE WRB

AIR-BLOC 17MR
LAP AIR BARRIER 1" ONTO FLASHING

BLUESKIN SA
(SEE CONVEX LOOP FLASHING DETAIL)



GAPS UP TO 2" MAX (PLAN VIEW)
FLASHING INSTALLED AFTER WRB

AIR-BLOC 17MR

BLUESKIN SA
(SEE CONVEX LOOP FLASHING DETAIL)

NOTES:

1. DETAIL SHOWS **AIR-BLOC 17MR FLUID APPLIED VAPOR PERMEABLE AIR BARRIER**. SUBSTRATE SHOWN IS FOR REFERENCE ONLY. ACCEPTABLE SUBSTRATES INCLUDE PLYWOOD, OSB, CONCRETE, CMU, METAL, AND EXTERIOR GRADE SHEATHING.
2. OTHER FLASHING OPTIONS INCLUDE: **BLUESKIN SA LT, BLUESKIN BUTYL FLASH OR BLUESKIN METAL CLAD**.
3. INSTALL **AIR-BLOC 17MR** TO ACHIEVE A CONTINUOUS WATER-RESISTIVE BARRIER (WRB). INSULATION, CLADDING AND OPTIONAL VAPOR BARRIER NOT SHOWN FOR CLARITY. REFER TO LOCAL CODE ORDINANCES FOR INSULATION AND VAPOR BARRIER REQUIREMENTS.
4. REFER TO PRODUCT SPECIFIC TECHNICAL DATA SHEET (TDS) AND **AIR-BLOC 17MR** GUIDE SPECIFICATION FOR INSTALLATION PROCEDURES.

MANUFACTURER GUIDE DETAILS ARE FOR REFERENCE ONLY. HENRY DOES NOT ASSUME RESPONSIBILITY FOR ERRORS OR DEVIATIONS IN DESIGN OR ENGINEERING. PROJECT SPECIFIC VERIFICATION IS RECOMMENDED PRIOR TO INSTALLATION.

AIR-BLOC 17MR FLUID APPLIED VAPOR PERMEABLE AIR BARRIER

NON-MOVING JOINTS

**SUBSTRATE GAPS UP TO 2" WIDE MAXIMUM
SELF-ADHERED FLASHING**

SCALE: N.T.S.

03-05-2020

AB17MR-8C1

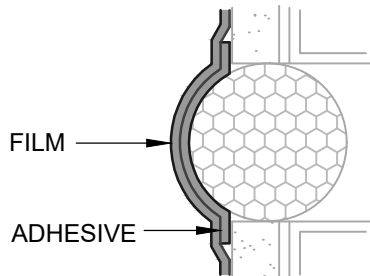
Henry[®]

999 N. Pacific Coast Highway, Suite 800
El Segundo, CA 90245
800-486-1278 • www.henry.com

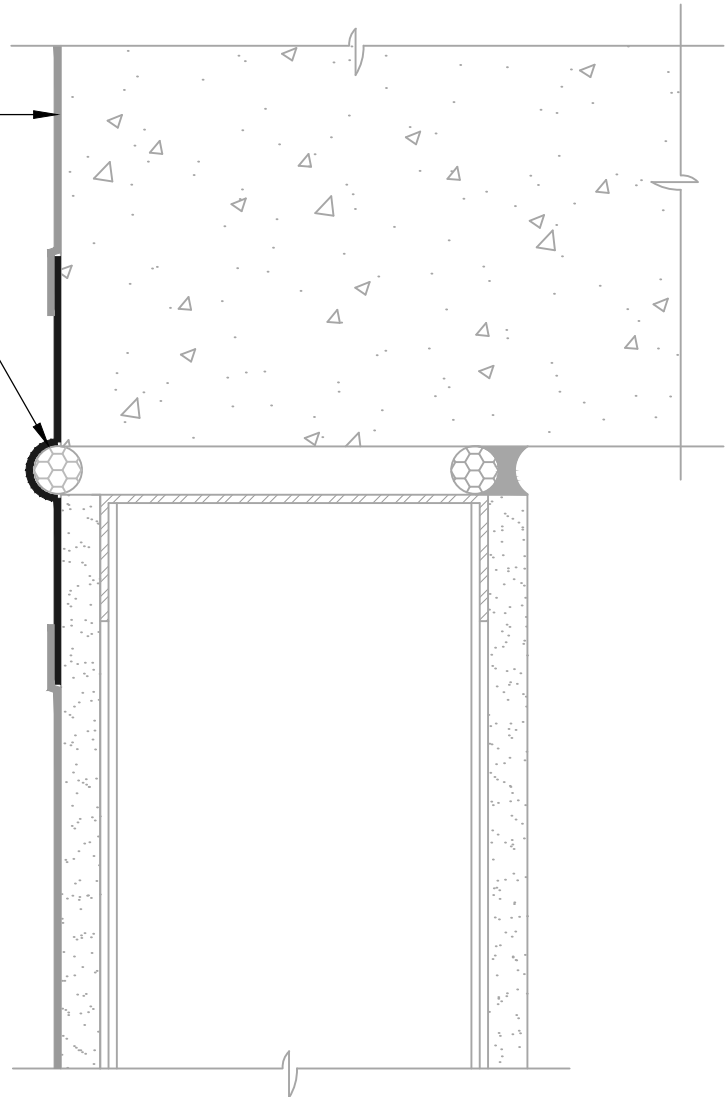
AIR-BLOC 17MR
LAP AIR BARRIER 1" ONTO FLASHING

BLUESKIN SA
(SEE CONVEX LOOP FLASHING DETAIL)

CREATE CONVEX LOOP IN
MEMBRANE OVER BACKER ROD.
PRIOR TO INSTALLATION, ADHERE
MEMBRANE TO ITSELF AND
INSTALL TO PREVENT ADHESION
TO BACKER ROD.



CONVEX LOOP FLASHING
"SIAMESE" FLASHING



NOTES:

1. DETAIL SHOWS **AIR-BLOC 17MR FLUID APPLIED VAPOR PERMEABLE AIR BARRIER**. SUBSTRATE SHOWN IS FOR REFERENCE ONLY. ACCEPTABLE SUBSTRATES INCLUDE PLYWOOD, OSB, CONCRETE, CMU, METAL, AND EXTERIOR GRADE SHEATHING.
2. OTHER FLASHING OPTIONS INCLUDE: **BLUESKIN SA LT, BLUESKIN BUTYL FLASH OR BLUESKIN METAL CLAD**.
3. INSTALL **AIR-BLOC 17MR** TO ACHIEVE A CONTINUOUS WATER-RESISTIVE BARRIER (WRB). INSULATION, CLADDING AND OPTIONAL VAPOR BARRIER NOT SHOWN FOR CLARITY. REFER TO LOCAL CODE ORDINANCES FOR INSULATION AND VAPOR BARRIER REQUIREMENTS.
4. REFER TO PRODUCT SPECIFIC TECHNICAL DATA SHEET (TDS) AND **AIR-BLOC 17MR** GUIDE SPECIFICATION FOR INSTALLATION PROCEDURES.

Henry[®]

999 N. Pacific Coast Highway, Suite 800
El Segundo, CA 90245
800-486-1278 • www.henry.com

MANUFACTURER GUIDE DETAILS ARE FOR REFERENCE ONLY. HENRY DOES NOT ASSUME RESPONSIBILITY FOR ERRORS OR DEVIATIONS IN DESIGN OR ENGINEERING. PROJECT SPECIFIC VERIFICATION IS RECOMMENDED PRIOR TO INSTALLATION.

AIR-BLOC 17MR FLUID APPLIED VAPOR PERMEABLE AIR BARRIER

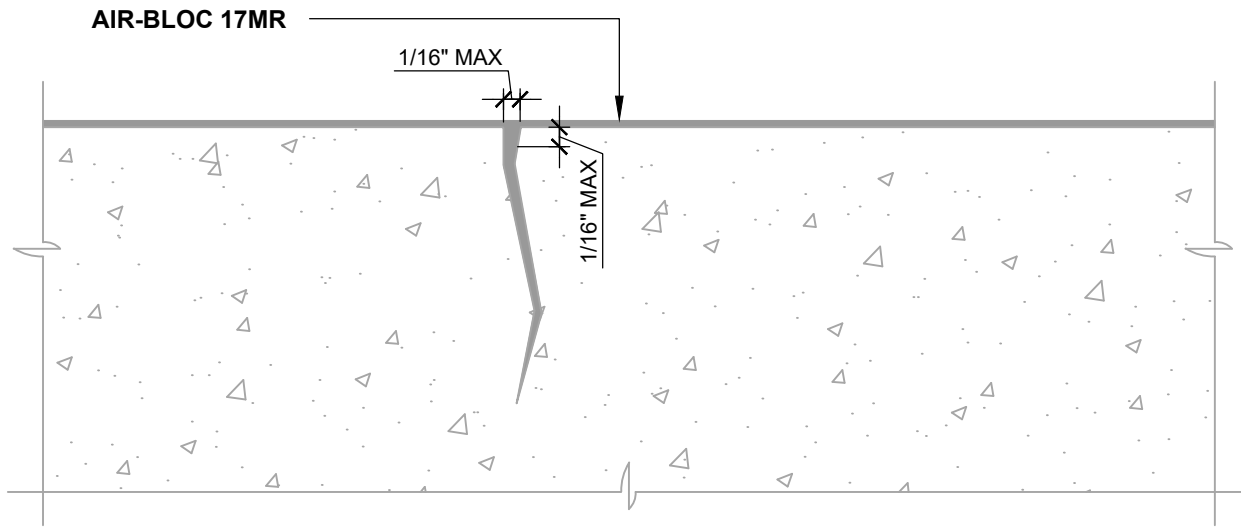
DEFLECTION JOINT

**HORIZONTAL DEFLECTION JOINT
SELF-ADHERED FLASHING**

SCALE: N.T.S.

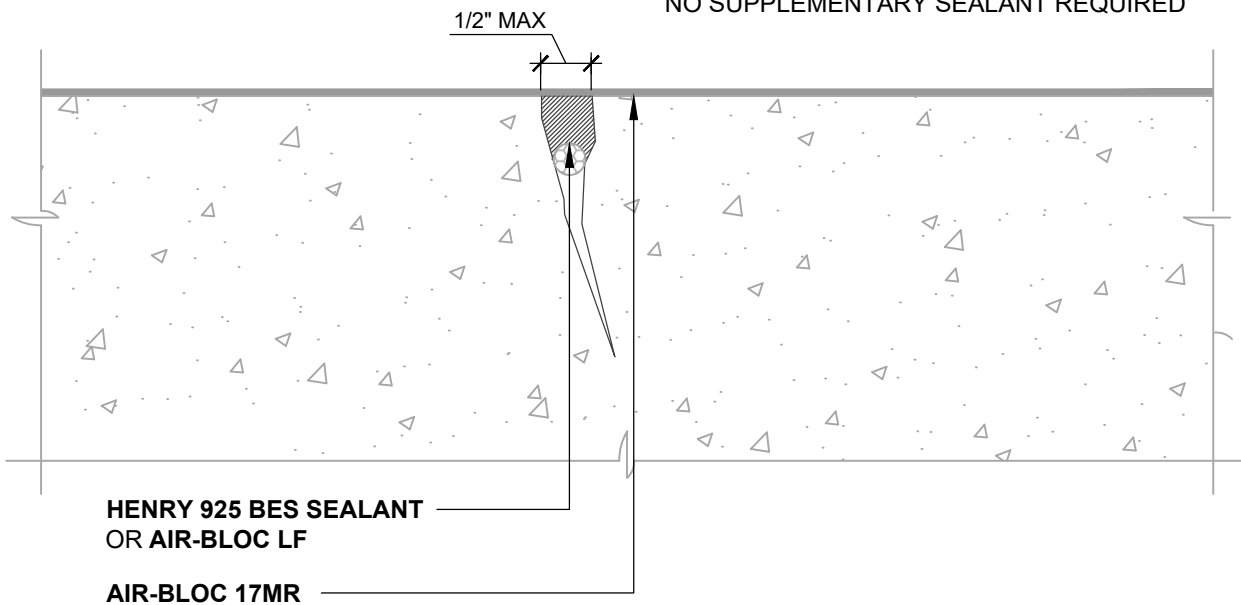
03-05-2020

AB17MR-8DA



GAPS UP TO 1/16" MAX (PLAN VIEW)

NO SUPPLEMENTARY SEALANT REQUIRED



GAPS UP TO 1/2" MAX (PLAN VIEW)

SEALANT OR LIQUID APPLIED FLASHING
INSTALLED BEFORE WRB

NOTES:

1. DETAIL SHOWS **AIR-BLOC 17MR FLUID APPLIED VAPOR PERMEABLE AIR BARRIER**. THIS DETAIL IS SPECIFIC TO MASONRY AND CONCRETE SUBSTRATES ONLY. REFER TO NON-MOVING JOINT DETAILS FOR OTHER SUBSTRATE FLASHINGS.
2. INSTALL **AIR-BLOC 17MR** TO ACHIEVE A CONTINUOUS WATER-RESISTIVE BARRIER (WRB). INSULATION, CLADDING AND OPTIONAL VAPOR BARRIER NOT SHOWN FOR CLARITY. REFER TO LOCAL CODE ORDINANCES FOR INSULATION AND VAPOR BARRIER REQUIREMENTS.
3. REFER TO PRODUCT SPECIFIC TECHNICAL DATA SHEET (TDS) AND **AIR-BLOC 17MR** GUIDE SPECIFICATION FOR INSTALLATION PROCEDURES.

Henry[®]

999 N. Pacific Coast Highway, Suite 800
El Segundo, CA 90245
800-486-1278 • www.henry.com

MANUFACTURER GUIDE DETAILS ARE FOR REFERENCE ONLY. HENRY DOES NOT ASSUME RESPONSIBILITY FOR ERRORS OR DEVIATIONS IN DESIGN OR ENGINEERING. PROJECT SPECIFIC VERIFICATION IS RECOMMENDED PRIOR TO INSTALLATION.

AIR-BLOC 17MR FLUID APPLIED VAPOR PERMEABLE AIR BARRIER

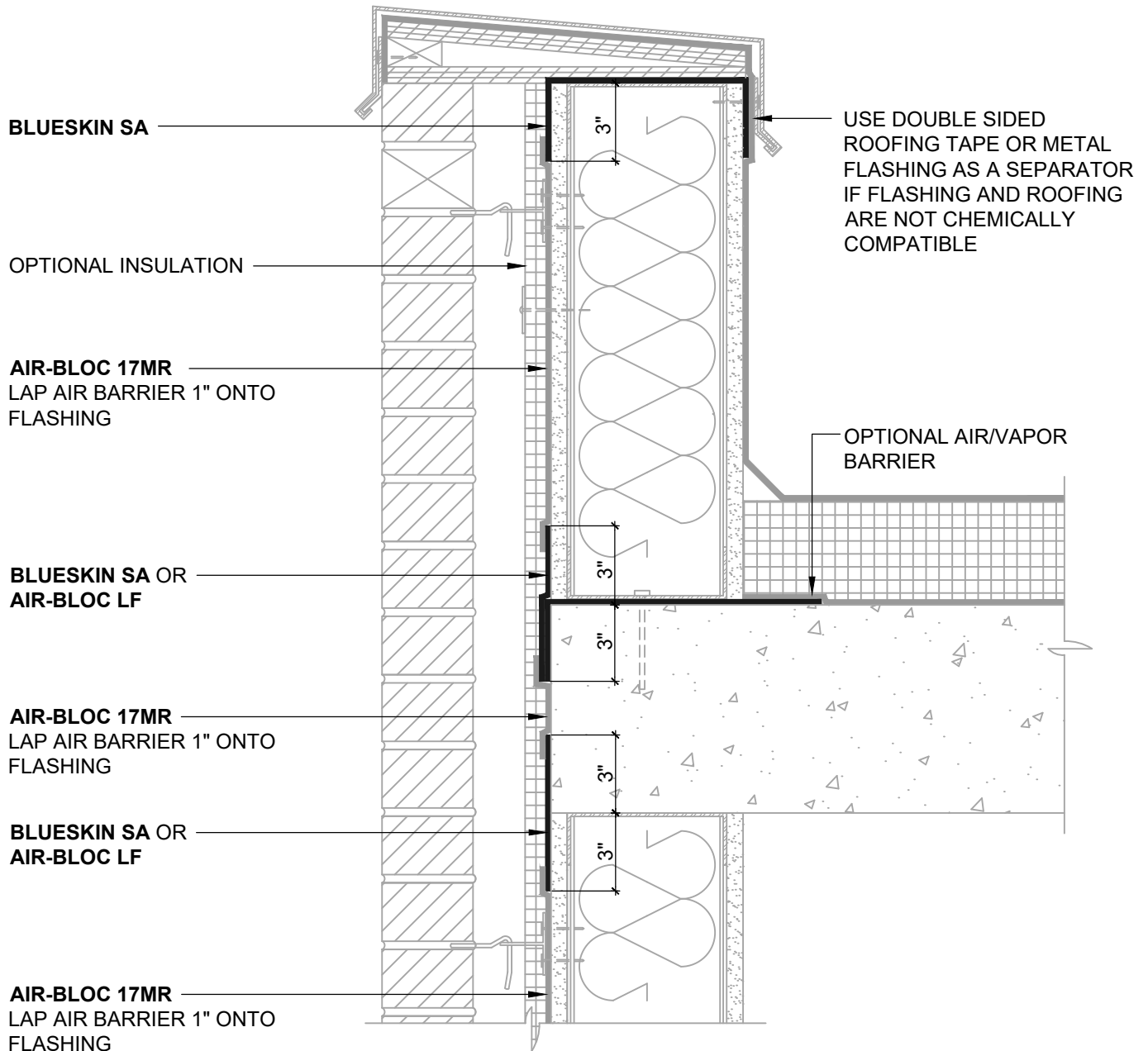
SUBSTRATE CRACKS

**MASONRY AND CONCRETE SUBSTRATE
CRACKS UP TO 1/2" WIDE MAXIMUM**

SCALE: N.T.S.

03-05-2020

AB17MR-8E



NOTES:

1. DETAIL SHOWS **AIR-BLOC 17MR FLUID APPLIED VAPOR PERMEABLE AIR BARRIER**. SUBSTRATE SHOWN IS FOR REFERENCE ONLY. ACCEPTABLE SUBSTRATES INCLUDE PLYWOOD, OSB, CONCRETE, CMU, METAL, AND EXTERIOR GRADE SHEATHING.
2. OTHER FLASHING OPTIONS INCLUDE: **BLUESKIN SA LT, BLUESKIN BUTYL FLASH OR BLUESKIN METAL CLAD**.
3. INSTALL **AIR-BLOC 17MR** TO ACHIEVE A CONTINUOUS WATER-RESISTIVE BARRIER (WRB). INSULATION, CLADDING AND OPTIONAL VAPOR BARRIER NOT SHOWN FOR CLARITY. REFER TO LOCAL CODE ORDINANCES FOR INSULATION AND VAPOR BARRIER REQUIREMENTS.
4. REFER TO PRODUCT SPECIFIC TECHNICAL DATA SHEET (TDS) AND **AIR-BLOC 17MR** GUIDE SPECIFICATION FOR INSTALLATION PROCEDURES.

Henry[®]

999 N. Pacific Coast Highway, Suite 800
El Segundo, CA 90245
800-486-1278 • www.henry.com

MANUFACTURER GUIDE DETAILS ARE FOR REFERENCE ONLY. HENRY DOES NOT ASSUME RESPONSIBILITY FOR ERRORS OR DEVIATIONS IN DESIGN OR ENGINEERING. PROJECT SPECIFIC VERIFICATION IS RECOMMENDED PRIOR TO INSTALLATION.

AIR-BLOC 17MR FLUID APPLIED VAPOR PERMEABLE AIR BARRIER

PARAPET TRANSITION

AIR BARRIER INSTALLED ON FRONT OF WALL AND ROOFING ASSEMBLY INSTALLED ON BACK OF WALL

SCALE: N.T.S.

03-05-2020

AB17MR-9A

HENRY HIGH
TEMPERATURE ROOFING
UNDERLAYMENT

BLUESKIN SA

OPTIONAL INSULATION

AIR-BLOC 17MR
LAP AIR BARRIER 1" ONTO
FLASHING

BLUESKIN SA OR
AIR-BLOC LF

AIR-BLOC 17MR
LAP AIR BARRIER 1" ONTO
FLASHING

BLUESKIN SA OR
AIR-BLOC LF

AIR-BLOC 17MR
LAP AIR BARRIER 1" ONTO
FLASHING

AIR-BLOC 17MR
LAP AIR BARRIER 1" ONTO
FLASHING

USE DOUBLE SIDED ROOFING
TAPE OR METAL FLASHING AS
A SEPARATOR IF FLASHING
AND ROOFING ARE NOT
CHEMICALLY COMPATIBLE

OPTIONAL AIR/VAPOR
BARRIER

NOTES:

1. DETAIL SHOWS **AIR-BLOC 17MR FLUID APPLIED VAPOR PERMEABLE AIR BARRIER**. SUBSTRATE SHOWN IS FOR REFERENCE ONLY. ACCEPTABLE SUBSTRATES INCLUDE PLYWOOD, OSB, CONCRETE, CMU, METAL, AND EXTERIOR GRADE SHEATHING.
2. OTHER FLASHING OPTIONS INCLUDE: **BLUESKIN SA LT, BLUESKIN BUTYL FLASH OR BLUESKIN METAL CLAD**.
3. INSTALL **AIR-BLOC 17MR** TO ACHIEVE A CONTINUOUS WATER-RESISTIVE BARRIER (WRB). INSULATION, CLADDING AND OPTIONAL VAPOR BARRIER NOT SHOWN FOR CLARITY. REFER TO LOCAL CODE ORDINANCES FOR INSULATION AND VAPOR BARRIER REQUIREMENTS.
4. REFER TO PRODUCT SPECIFIC TECHNICAL DATA SHEET (TDS) AND **AIR-BLOC 17MR** GUIDE SPECIFICATION FOR INSTALLATION PROCEDURES.

Henry[®]

999 N. Pacific Coast Highway, Suite 800
El Segundo, CA 90245
800-486-1278 • www.henry.com

MANUFACTURER GUIDE DETAILS ARE FOR REFERENCE ONLY. HENRY DOES NOT ASSUME RESPONSIBILITY FOR ERRORS OR DEVIATIONS IN DESIGN OR ENGINEERING. PROJECT SPECIFIC VERIFICATION IS RECOMMENDED PRIOR TO INSTALLATION.

AIR-BLOC 17MR FLUID APPLIED VAPOR PERMEABLE AIR BARRIER

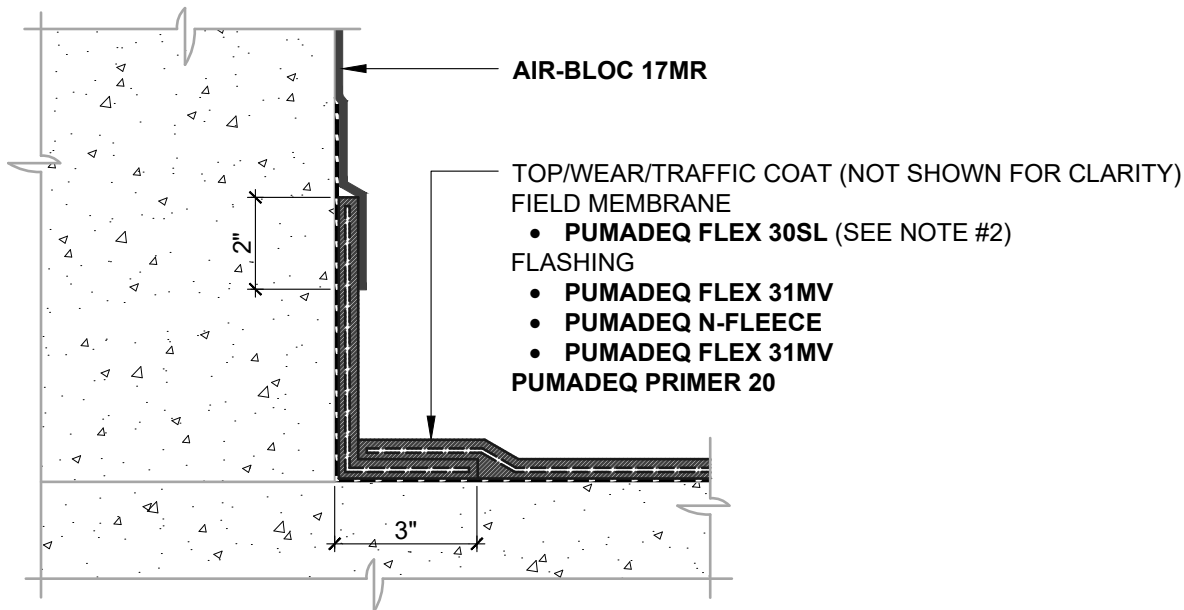
PARAPET TRANSITION

**AIR BARRIER INSTALLED ON FRONT OF WALL
AND AIR BARRIER INSTALLED ON BACK OF WALL**

SCALE: N.T.S.

03-05-2020

AB17MR-9B



AIR BARRIER INSTALLED AFTER PUMADEC SYSTEM

N.T.S

AIR-BLOC 17MR

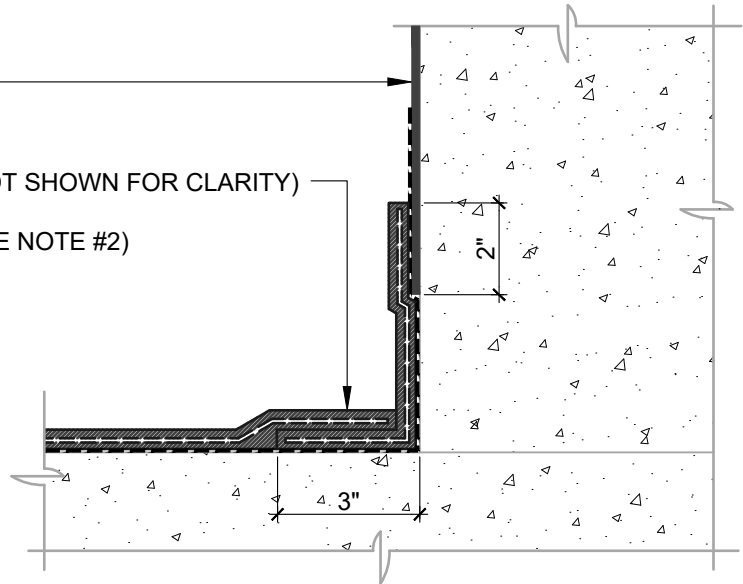
TOP/WEAR/TRAFFIC COAT (NOT SHOWN FOR CLARITY)
FIELD MEMBRANE

- PUMADEC FLEX 30SL (SEE NOTE #2)

FLASHING

- PUMADEC FLEX 31MV
- PUMADEC N-FLEECE
- PUMADEC FLEX 31MV

PUMADEC PRIMER 20



AIR BARRIER INSTALLED BEFORE PUMADEC SYSTEM

N.T.S

NOTES:

1. DETAIL SHOWS **AIR-BLOC 17MR VAPOR PERMEABLE AIR BARRIER** AND **HENRY PUMADEC SYSTEM** TRANSITION. SUBSTRATE SHOWN IS FOR REFERENCE ONLY. REFER TO PRODUCT SPECIFIC TECHNICAL DATA SHEET (TDS) FOR PRODUCT SPECIFIC ACCEPTABLE SUBSTRATES.
2. TRANSITION DETAIL IS SUITABLE FOR BOTH REINFORCED AND UNREINFORCED **PUMADEC SYSTEM** FIELD MEMBRANE APPLICATIONS. TOP, WEAR, AND TRAFFIC COATING NOT SHOWN FOR CLARITY. REFER TO **PUMADEC SYSTEM** DETAILS FOR FURTHER CLARITY.
3. REFER TO PRODUCT SPECIFIC TECHNICAL DATA SHEET (TDS), GUIDE SPECIFICATION AND INSTALLATION MANUAL FOR INSTALLATION PROCEDURES.

Henry[®]

999 N. Pacific Coast Highway, Suite 800
El Segundo, CA 90245
800-486-1278 • www.henry.com

MANUFACTURER GUIDE DETAILS ARE FOR REFERENCE ONLY. HENRY DOES NOT ASSUME RESPONSIBILITY FOR ERRORS OR DEVIATIONS IN DESIGN OR ENGINEERING. PROJECT SPECIFIC VERIFICATION IS RECOMMENDED PRIOR TO INSTALLATION.

AIR-BLOC 17MR TIE-IN TO PUMADEC SYSTEM

TIE-IN DETAIL

**EXPOSED FLASHING
PUMADEC 31MV**

SCALE: N.T.S.

06-05-2019

AB17MR-TID3A

Warranty #: SAMPLE
Issued:
Expiration:

**HENRY COMPANY ("HENRY")
5 YEAR EXTENDED MATERIAL WARRANTY
AIR-BLOC® 17MR ("PRODUCT")**

Building Name:
Building Location:
Building OWNER: ("OWNER")
Date Product(s) Installation Completed:
Contractor:
Square Footage:

What This Limited Warranty Covers:

Commencing with the date of completion of installation of the Product(s) and continuing for the duration of this Warranty, if manufacturing defects in the Product(s) cause the Product(s) to not perform in conformance with the Product(s) label or tech data sheet, as published on www.henry.com at time of warranty issuance, or for its intended application, then HENRY at its sole option will, subject to the following section (What This Warranty Does Not Cover), either (1) refund OWNER's original purchase price for the Product(s) prorated by the unused portion of the warranty term; or (2) provide the amount of Product(s) necessary to make repairs. Under option (1), during the first year after installation of the Product(s), HENRY will refund OWNER's purchase price for the Product(s), exclusive of installation cost and minus any proration and costs previously incurred by HENRY for the replacement of Product(s) under this Warranty. After the first year, the purchase price to be refunded will be prorated by the remaining number of years of the Warranty term, minus any cost previously incurred by HENRY for the replacement of Product(s) under this Warranty.

Decisions as to the extent of repair or replacement required will be made solely by HENRY. The opinion of HENRY with respect to this matter shall be final. The remedy under this Warranty is available only for that portion of the Product(s) exhibiting defects at the time of the warranty claim. The replacement Product(s) as well as any remaining original Product(s) will be warranted only for the original warranty period. This limited warranty applies only to Product(s) used for an application specified by HENRY for the Product(s) and applied in strict accordance with HENRY published specifications, as published on www.henry.com in effect at the time of application. IF PRODUCT(S) IS USED FOR OTHER THAN A HENRY SPECIFIED APPLICATION, MISUSED OR ABUSED, IT IS SOLD AS IS AND WITHOUT ANY EXPRESS OR IMPLIED WARRANTIES, INCLUDING OF MERCHANTABILITY OR FITNESS FOR A PARTICULAR PURPOSE.

What This Warranty Does Not Cover:

This Warranty warrants that the Product(s) will be free from manufacturing defects which affect the ability of the Product(s) to perform in conformance with the Product(s) label or tech data sheet for its intended application during the Warranty Period; it is not a warranty that the Product(s) will never leak or age or to undertake responsibilities, liabilities or obligations other than those specifically identified in the preceding section.

The Contractor who installs the Product(s) is not a representative, agent or employee of HENRY. HENRY therefore is not bound by any representations made by the Contractor and does not warrant or guarantee the Contractor's workmanship.

HENRY is not responsible or liable for: (a) personal injury or property damage of any kind, even if arising from a breach of this Warranty, (b) damage to the building, or to other components of the building or its contents, including mold, mildew or interruption or complete disruption in the use of the building, (c) expenses associated with installation, removal, excavation, or replacement of other materials, building assemblies, mechanical equipment or scaffolding in connection with accessing, testing, repairing, removal, or replacement of the Product(s), (d) change in color or other aesthetic diminution, and (e) damage to the Product(s) attributable to one or more of the following conditions:

1. Acts of God and natural calamities (including, but without limitation, lightning, Beaufort Scale 10 or higher winds, hurricane, tornado, hail,

earthquake, flood, or other violent storm or casualty), impact of objects or damage to the Product(s) due to settlement, distortion, failure or cracking of the roof deck, walls or foundation of the building, or for any splitting, cracking, blistering, delamination or separation of the Product(s) due to defect and/or failure of underlying materials not supplied by HENRY or for damage by foot traffic.

2. Civil insurrection, war, riot, terrorism, intentional destruction or vandalism.
3. Exposure to ionized radiation, contamination by radioactivity from any nuclear source, or bird droppings, chemical, or vermin attack on the Product(s).
4. Failure to timely report leaks or to repair leaks not covered by this Warranty.
5. Leaks caused by water entering from building components adjacent to the Product(s) or moisture migration either through or around other building components such as rooftop equipment, walls, copings, pitch pans and details which do not conform with HENRY details.
6. Installations on or through the Product(s) unless done in a manner prescribed and accepted by HENRY.
7. Repairs or alterations to the Product(s) that are not authorized first in writing by HENRY.
8. Inadequate rooftop drainage or ponding lasting longer than 48 hours as defined by the National Roofing Contractors Association.
9. Normal wear and tear.

Obtaining Warranty Service:

If the Product(s) fails to perform in conformance with the Product(s) label or tech data sheet for its intended application, notify HENRY by email at warranty@henry.com, within 48 hours or within the next business day after discovery of any defect in the Product(s). The OWNER must give written notice to HENRY no later than thirty (30) days after a defect is discovered or should by reasonable diligence have been discovered. Claims under this Warranty will require proof of purchase by the OWNER. HENRY is not responsible for any claims without such proof of purchase. A purchase receipt or other proof of date of original purchase is required before warranty service is provided. Should the alleged failure or the remedy sought by the OWNER lie outside the scope of this Warranty, OWNER agrees to promptly reimburse HENRY for the cost of any investigation requested by OWNER, including remedy costs, plus a HENRY administrative fee of \$250.00.

Time for Remedy:

HENRY shall have forty-five (45) days after receipt of written notification of a Product(s) defect to initiate either of the remedies contained in this Warranty unless prevented by acts of God or events beyond HENRY's reasonable control.

Limitations and Exclusions:

TO THE EXTENT PERMITTED BY APPLICABLE LAW, HENRY DISCLAIMS ANY OTHER WARRANTY EXPRESS OR IMPLIED, THAN THAT PROVIDED FOR HEREIN. THIS WARRANTY IS IN LIEU OF AND EXCLUDES ALL OTHER WARRANTIES, GUARANTEES, CONDITIONS AND REPRESENTATIONS, EXPRESS OR IMPLIED, ORAL OR WRITTEN, STATUTORY OR OTHERWISE, INCLUDING BUT NOT LIMITED TO ANY IMPLIED CONDITIONS OR WARRANTIES AS TO THE MERCHANTABILITY OR FITNESS FOR A PARTICULAR PURPOSE OF THE HENRY PRODUCT(S). SOME STATES DO NOT ALLOW LIMITATIONS ON HOW LONG AN IMPLIED WARRANTY LASTS, SO THE

ABOVE LIMITATION MAY NOT APPLY TO YOU. HENRY DOES NOT AUTHORIZE ANY PERSON INCLUDING ITS REPRESENTATIVES, TO MAKE ANY REPRESENTATION OR TO OFFER ANY WARRANTY, CONDITION OR GUARANTY IN RESPECT OF THE PRODUCT(S) OTHER THAN THIS WARRANTY. THIS MATERIAL WARRANTY CANNOT BE MODIFIED EXCEPT IN WRITING SIGNED BY HENRY'S WARRANTY MANAGER. THIS LIMITED WARRANTY SHALL BE THE OWNER'S SOLE AND EXCLUSIVE REMEDY AGAINST HENRY AND UNDER NO CIRCUMSTANCES SHALL HENRY BE LIABLE FOR AN AMOUNT GREATER THAN THE ACTUAL PURCHASE PRICE OF THE UNIT OR FOR ANY CONSEQUENTIAL, EXEMPLARY, SPECIAL, INCIDENTAL OR OTHER DAMAGES INCLUDING, BUT NOT LIMITED TO, LOSS OF PROFITS, LOSS OF USE, OR DAMAGE TO THE BUILDING OR ITS CONTENTS OR THE ROOF DECK. INCIDENTAL, CONSEQUENTIAL AND EXEMPLARY DAMAGES SHALL NOT BE RECOVERABLE EVEN IF THE REMEDIES OR THE ACTIONS PROVIDED FOR IN THIS WARRANTY FAIL OF THEIR ESSENTIAL PURPOSE. SOME STATES DO NOT ALLOW THE EXCLUSION OR LIMITATION OF INCIDENTAL OR CONSEQUENTIAL DAMAGES, SO THE ABOVE LIMITATION OR EXCLUSION MAY NOT APPLY TO YOU. HENRY SHALL NOT BE LIABLE FOR ANY DAMAGES WHICH ARE BASED UPON NEGLIGENCE, GROSS NEGLIGENCE, BREACH OF WARRANTY, BREACH OF CONTRACT, STRICT LIABILITY OR ANY OTHER LEGAL THEORY OF LIABILITY OTHER THAN THE EXCLUSIVE LIABILITY SET FORTH IN THIS WARRANTY.

Conditions of Warranty:

HENRY's continuing liability under this Warranty is conditioned upon the following:

- a) The Product(s) was stored, handled, applied and maintained in accordance with HENRY's instructions, recommendations and specifications in effect at the time of application;
- b) The Product(s) and all components thereof have been sold by HENRY except where authorized by HENRY;
- c) HENRY and the Contractor have been paid in full for the Product(s);
- d) The Product(s) has not been altered, modified or repaired without prior written approval of HENRY;
- e) The OWNER has notified HENRY in writing of any failure of the Product(s) covered by this Warranty within thirty (30) days following such failure;

- f) There has been no misuse, abuse or negligence with respect to the Product(s) on the part of the OWNER, facility or mechanical tradesmen.

Transfer:

This Warranty is assignable conditioned upon prior written approval by HENRY. Such approval is subject to the terms, conditions and fees contained in HENRY's application for transfer of warranty.

Waiver:

HENRY's failure at any time to enforce or rely upon any of the terms or conditions stated herein shall not be construed to be a waiver of its rights hereunder.

OWNER's Agreement:

HENRY would not agree to assume the obligations contained in this Warranty in the absence of any of the limitations and exclusions contained herein. Therefore, (1) OWNER's agreement to each and every term of this Warranty is an essential condition precedent to HENRY's obligations hereunder; (2) in the absence of such agreement by the OWNER the Product(s) is sold AS IS AND WITHOUT ANY EXPRESS OR IMPLIED WARRANTIES, INCLUDING OF MERCHANTABILITY OR FITNESS FOR A PARTICULAR PURPOSE; (3) failure of any condition precedent herein shall discharge HENRY from all further obligation under this Warranty, and the disclaimer herein of any other warranties, conditions and representations shall survive; and (4) by accepting or asserting any rights hereunder, OWNER irrevocably agrees to indemnify and hold harmless HENRY, its affiliates, successors, assigns, directors, officers, employees and agents (each an "Indemnified Party") from and against all claims, expenses (including attorney's fees and expenses), losses, liabilities and damages in any way related to or arising from matters described in the section of this Warranty entitled "What This Warranty Does Not Cover," and all amounts paid in defense of the foregoing which may be imposed upon, incurred by or asserted against an Indemnified Party by any person, firm or entity.

Except as otherwise expressly provided above, this Warranty shall be governed by and construed in accordance with the laws of the State of Texas without regard to conflict of law rules.

THIS WARRANTY GIVES YOU SPECIFIC LEGAL RIGHTS, AND YOU MAY ALSO HAVE OTHER RIGHTS WHICH VARY FROM STATE TO STATE OR COUNTRY TO COUNTRY, IF OUTSIDE OF THE UNITED STATES.

HENRY COMPANY

By: _____
Name:

Date: _____

NOTE: SAMPLE WARRANTIES ARE PROVIDED CONDITIONALLY AND SHOULD NOT BE CONSTRUED OR INTERPRETED AS A REPRESENTATION OR PROMISE THAT HENRY WILL IN FACT PROVIDE SUCH A WARRANTY FOR A SPECIFIC PROJECT. HENRY WARRANTIES ARE NOT VALID OR BINDING UNLESS AND UNTIL ALL OF HENRY'S REQUIREMENTS FOR WARRANTY ISSUANCE ARE MET AND A PROJECT-SPECIFIC WARRANTY IS ISSUED. HENRY RESERVES THE RIGHT TO MODIFY THE TERMS OF ITS SAMPLE WARRANTIES FOR ANY REASON, AT ANYTIME, WITH OR WITHOUT NOTICE. FOR MORE INFORMATION ABOUT HENRY'S REQUIREMENTS, PLEASE CONTACT THE HENRY WARRANTY DEPARTMENT AT WARRANTY@HENRY.COM.

Product Certification

Henry® Air-Bloc® 17MR Vapor Permeable Air Barrier

Air-Bloc® 17MR is a liquid-applied air barrier intended for use on above grade vertical surfaces. Henry® Company manufacturing facilities implement full time quality control and are ISO certified. Each batch of Air-Bloc® 17MR is tested to confirm compliance with the physical properties as stated on the product specific Henry® technical data sheet.

Air-Bloc® 17MR meets the following standards:

- ASTM E2357 - Assembly Air Leakage
- ASTM D5590 - Mold Resistance
- NFPA 285 (see Henry® NFPA 285 Air Barrier Assemblies Teck-Talk Bulletin)
- ASTM E84 - Flame Spread Index and Smoke Development: Class A

Air-Bloc® 17MR is compatible with the following commonly used Henry® products:

- Air-Bloc® LF Liquid-Applied Flashing
- Aquatac™ Primer
- Blueskin® Adhesive
- Blueskin® Butyl Flash
- Blueskin® LVC Adhesive
- Blueskin® LVC Spray Primer
- Blueskin® SA Air and Vapor Barrier
- Blueskin® TWF Thru-Wall Flashing
- Henry® 183 Glass Reinforcing Fabric
- Henry® 925 BES Sealant
- Polybitume 570-05 Polymer Modified Sealing Compound

Air-Bloc® 17MR is suitable for application onto the following substrates: exterior gypsum board, masonry, concrete, CMU, foil faced sheathing, ICF, stone, wood, and metal.

Air-Bloc® 17MR does not contain lead, PBDE or PCBs. The maximum VOC content of Air-Bloc® 17MR is 100 g/L.

Air-Bloc® 17MR has a peak heat release rate of less than 150 kW/M², a total heat release of less than 20MJ/m² and an effective heat of combustion of less than 18MJ/kg as determined in accordance with ASTM E 1354 and has a flame spread index of 25 or less and a smoke-developed index of 450 or less as determined in accordance with ASTM E84.

Refer to the product specific technical data sheet available at www.henry.com for further information or contact Henry® Technical Support at 800-486-1278.

Henry® Company

999 N. Pacific Coast Highway, Suite 800
El Segundo, CA 90245
800-486-1278 | www.henry.com

LEED INFORMATION

PRODUCT: Air-Bloc 17MR

MR - CREDIT 4.x – RECYCLED CONTENT
RECYCLED CONTENT (POST-CONSUMER): 0%

RECYCLED CONTENT (POST-INDUSTRIAL): 0%

MR - CREDIT 5.x– REGIONAL MATERIALS

EXTRACTION SITE: Raw materials are sourced to Henry from various North American sources and extraction site of raw materials may vary without notice. As a result, the extraction site of materials used to manufacture this product is undetermined.

MANUFACTURING SITE: **Scarborough, Ontario, Canada, M1E3X6**

MR- CREDIT 6 AND 7 – RAPIDLY RENEWABLE MATERIALS AND CERTIFIED WOODX

This product does not contain rapidly renewable materials or certified wood

* IEQ – CREDIT 4.1 – ADHESIVES AND SEALANTS
VOC CONTENT: <100 g/L

* IEQ – CREDIT 4.2 – PAINTS AND COATINGS
VOC CONTENT: <100 g/L