

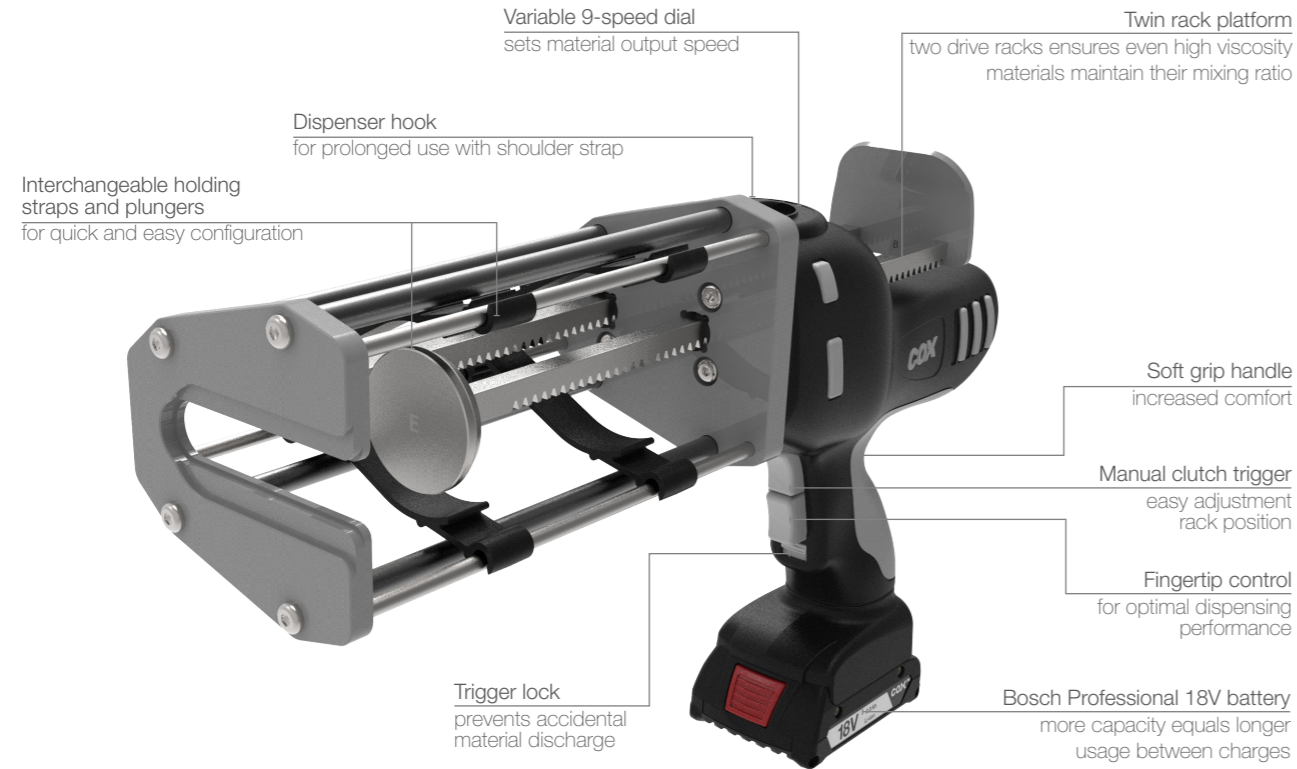


COX™ 2-Component Dispenser

ElectraFlow™ Dual Ultra 400 MR

2-component battery powered dispenser for 400mL cartridges.

The **ElectraFlow Dual Ultra 400 MR** is part of a range of battery dispensers, designed for use with medium to high viscosity sealants and adhesives.

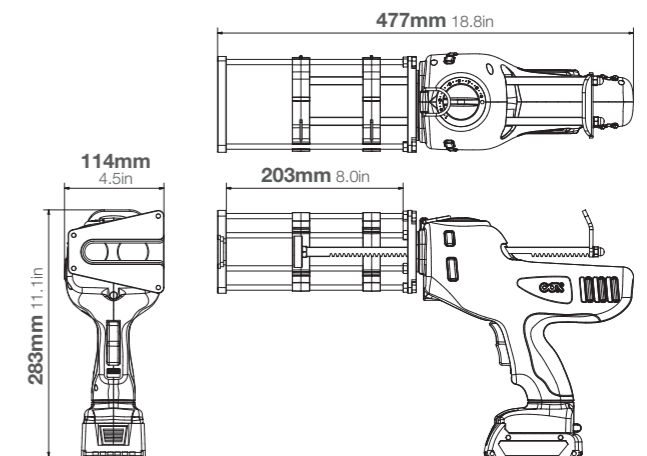


Model shown: ElectraFlow Dual Ultra 400 MR

Specifications

- Weight: 2.5-5kg / 5.5-11lbs
- Frame Length: 203mm / 8.0in
- Maximum Thrust: 5kN
- Voltage: 18V
- Battery Capacity: 2.0Ah
- Battery Charge Time: 35min
- Battery Type: Li-ion
- Handle Material: PC/ABS
- Frame Material: Steel/Aluminum
- Tool Component Approvals: CE, REACH, RoHS
- Cartridge Capacity: 400mL (14oz)
- Cartridge Ratio: 1:1, 2:1, 4:1, 10:1
- Viscosity: Medium/High
- Standard Color: Black/Grey
- Customized versions on demand

Dimensions



Part number:

VBE 400 MR
81400-D (US)

Article number:

EK2400
-

Packaging:

1 per Box
1 per Box

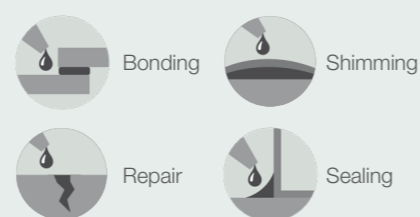
Product advantages

- Interchangeable cartridge straps and plungers
- Rechargeable 18V lithium Bosch battery
- Twin rack platform
- Automatic rack retraction
- Warranty up to 2 years for both battery and charger*

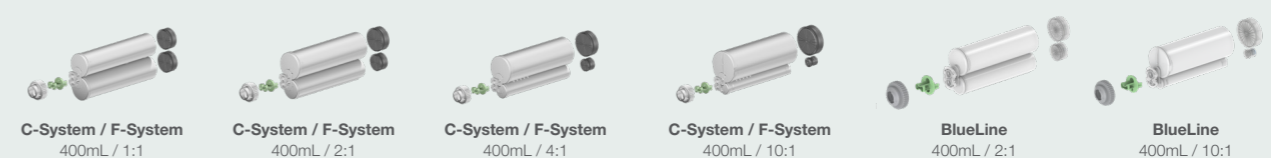
Customer benefits

- For quick and easy configuration
- 100% longer life time
- Ensures mixing ratio is maintained
- Anti-drip mechanism – no run on
- Gives you long worry free performance

Applications

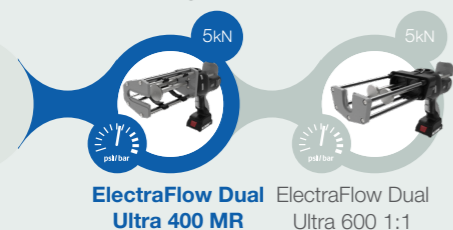


Matching MIXPAC™ side-by-side cartridges



The 2-component dispenser 400 MR is compatible with alternative cartridges. Please note, fit for purpose of the cartridges strictly requires customer's testing and approval thereof.

Product by range



Matching accessories

Batteries, battery charger, plungers, straps and shoulder strap s shown on product catalog and website.