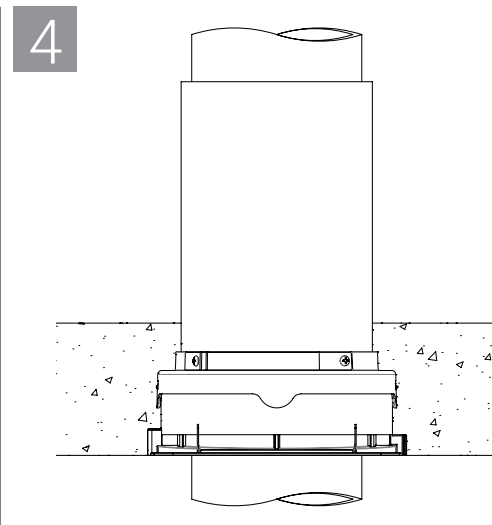
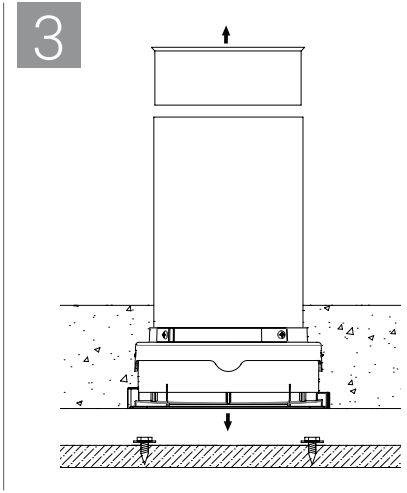
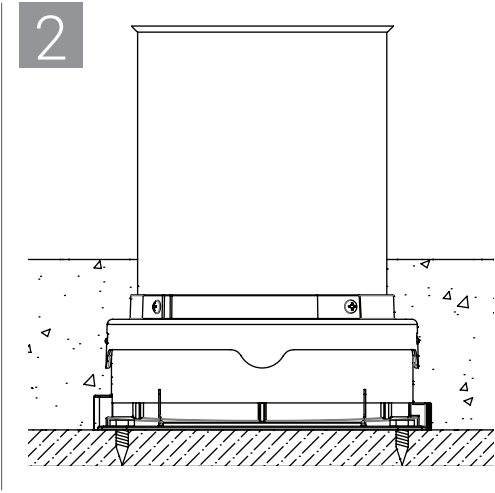
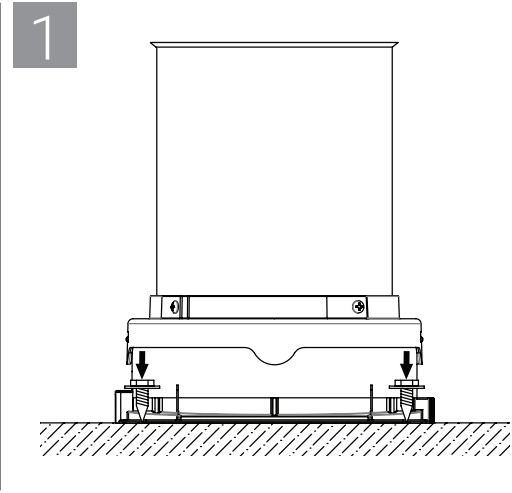
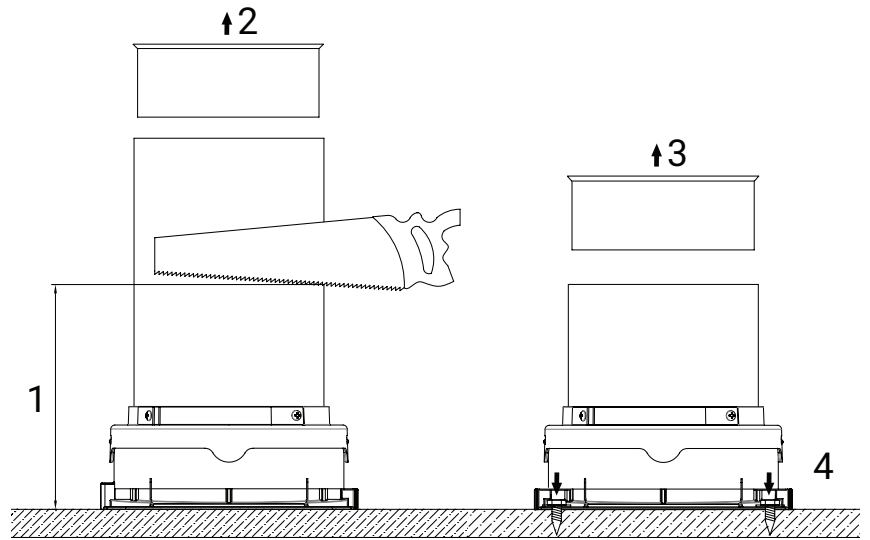


SpecSeal® Cast-In Device for 2", 3", 4" & 6" Devices



Optional Steps For Trimming Device Height



Note: For more information on firestop installation, refer to ASTM E3157.

