



Expanding Your Solutions

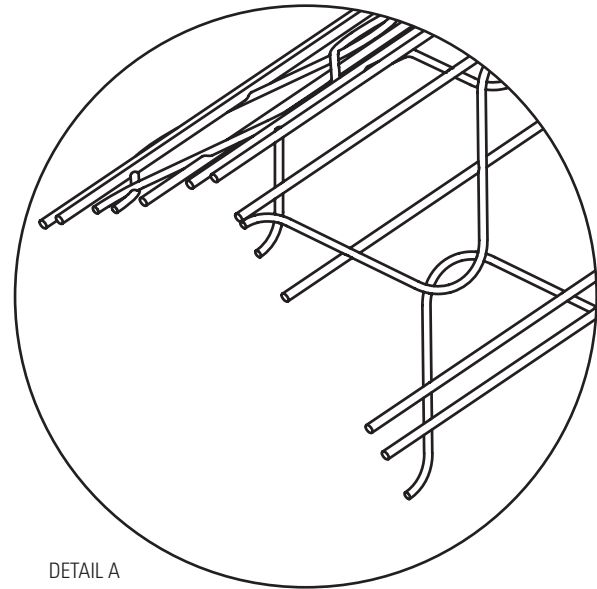
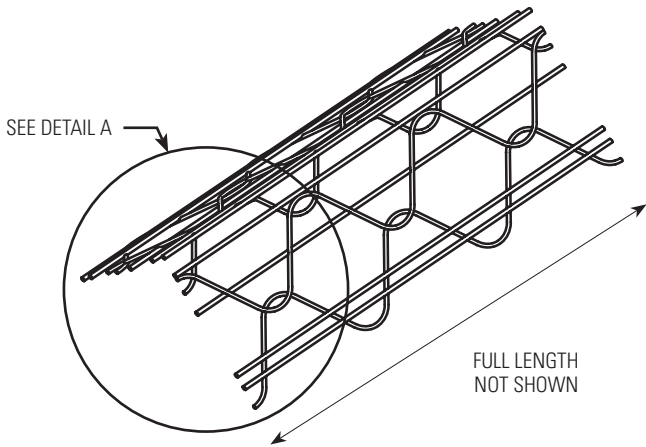
Corporate Headquarters
13191 Crossroads Pkwy N., Ste 325
City of Industry, CA 91746
Phone: 800.775.2362
Fax: 626.330.7598

Manufacturing Facilities
City of Industry, CA
Denver, CO
Ft. Worth, TX
Pittsburg, CA

Structural Engineering/Design
1001-A Pittsburgh Antioch Hwy
Pittsburg, CA 94565
Phone: 800.775.2362
Fax: 626.330.7598

Technical Services
13191 Crossroads Pkwy N., Ste 325
City of Industry, CA 91746
Phone: 800.416.2278
Fax: 626.249.5004

CEMCORNER



DETAIL A

Properties

CEMCO's CEMCORNER is used as an exterior corner reinforcement that has a nailing strip along both sides for faster installation and straighter corners. CEMCORNER was designed so that it is easier for Portland cement plaster to flow into the nose of the CEMCORNER. CEMCORNER is available in standard straight, straight arch, bullnose, bullnose arch, and a special bullnose-shortflange to accommodate almost every conceivable corner application.

Packaging

Product	Length	Foot / Carton	Cartons / Pallet
Straight	8'	320	24
Straight	9'	360	24
Straight	10'	400	24
Straight Arch	10'	400	24
Straight Short Flange	10'	400	24
Bullnose	8'	320	24
Bullnose	9'	360	24
Bullnose	10'	400	24
Bullnose Arch	10'	400	24
Bullnose Short Flange	10'	400	24

ASTM & Code Standards:

- ASTM A641
- ASTM A933
- IBC: 2012, 2015, 2018
- CBC: 2013, 2016
- AISI: S100-07, S100-12, S100-16, S220-11, S220-15

LEED v4 for Building and Design Construction

- MR Prerequisite: Construction and Demolition Waste Management Planning.
- MR Credit: Construction and Demolition Waste Management.
- MR Credit: Building Product Disclosure and Optimization – Sourcing of Raw Materials, Option 2.
- MR Credit: Building Product Disclosure and Optimization – Environmental Product Declarations, Options 1 & 2.
- MR Credit: Building Product Disclosure and Optimization – Material Ingredients, Option 1.
- MR Credit: Building Life-Cycle Impact Reduction, Option 4.

CEMCO cold-formed steel framing products contain 30% to 37% recycled steel.

- Total Recycled Content: 36.9%
- Post-Consumer: 19.8%
- Pre-Consumer: 14.4%

Technical Services

Technical Services: 800.416.2278
Structural Engineering/Design: 925.473.9340
www.cemcosteel.com



This technical information reflects the most current information available and supersedes any and all previous publications effective December 21, 2018.

12-21-18 AT