

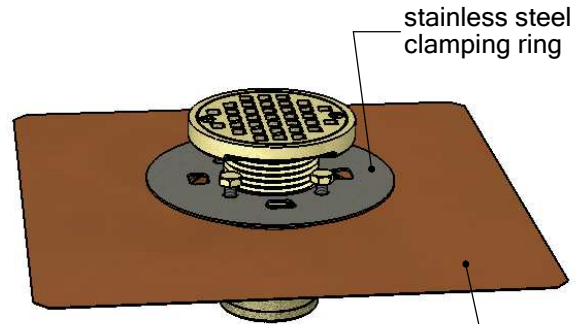
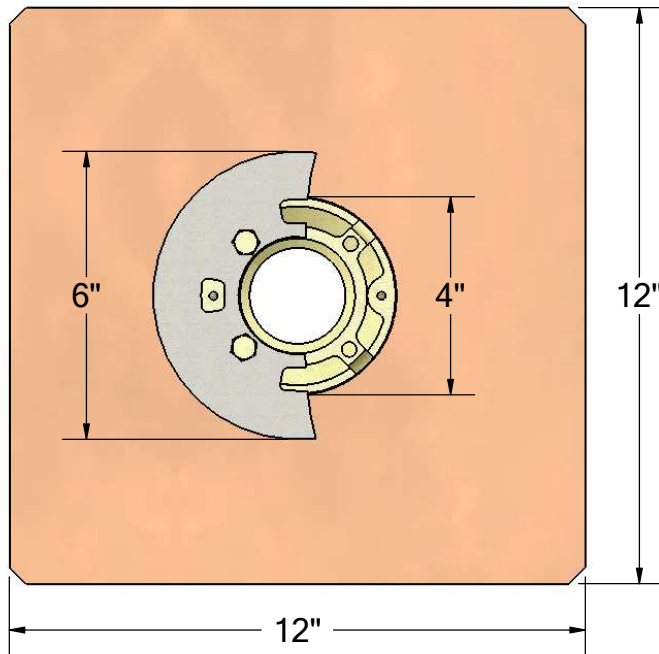


1895 Gillespie Way, El Cajon, CA 92020
 tel: (619) 448-3567
 fax: (619) 448-9072 tbirdusa.com

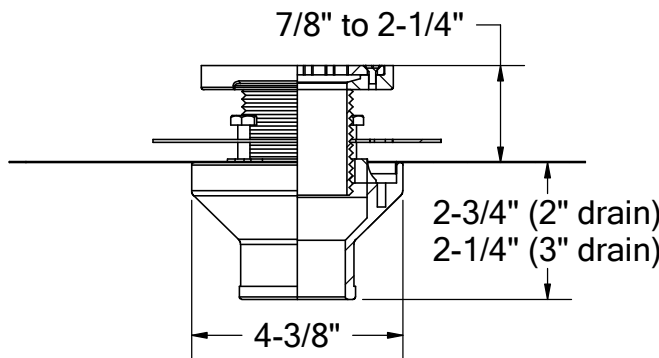
SHOWER DRAIN



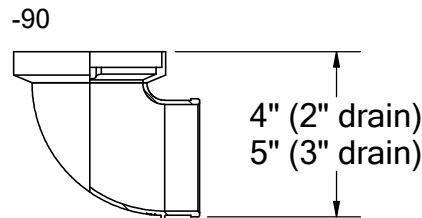
16 oz copper or 316 grade stainless steel flange. Stainless clamp ring. Adjustable 5" square nickel-bronze grate, 5" square tile-in grate, 4" round bronze grate. Polished chrome and oil-rubbed grate finishes available. Available in 2" and 3" outlet.



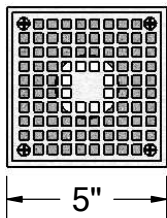
flashing attached to bronze 4" bowl, reduced to 2" or 3" no-hub fitting



optional:



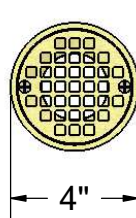
-SQ



-SQTG



-RN



PART #	
SD2NH	2" no-hub
SD3NH	3" no-hub *
OPTIONS	
	16 oz copper flange
S-	316 stainless steel flange
-90	90° outlet connection
-SQ	square grate, ni-bronze, 5" x 5", 8.84 in ² free area
-SQTG	square tile-in grate, stainless, 5" x 5", 5.47 in ² free area
-RN	round grate, brass, 4", 3.54 in ² free area
GRATE FINISH	
-CG	polished chrome
-ORB	oil-rubbed bronze

* excluded from ICC-ES listing