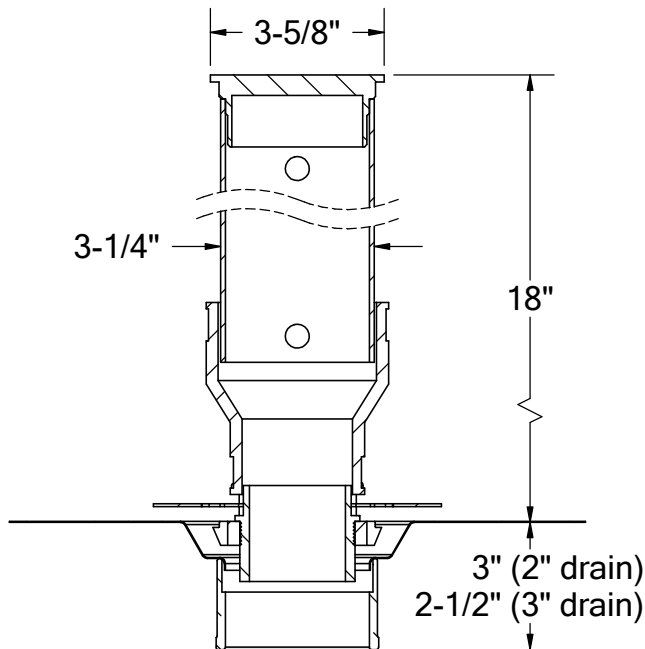
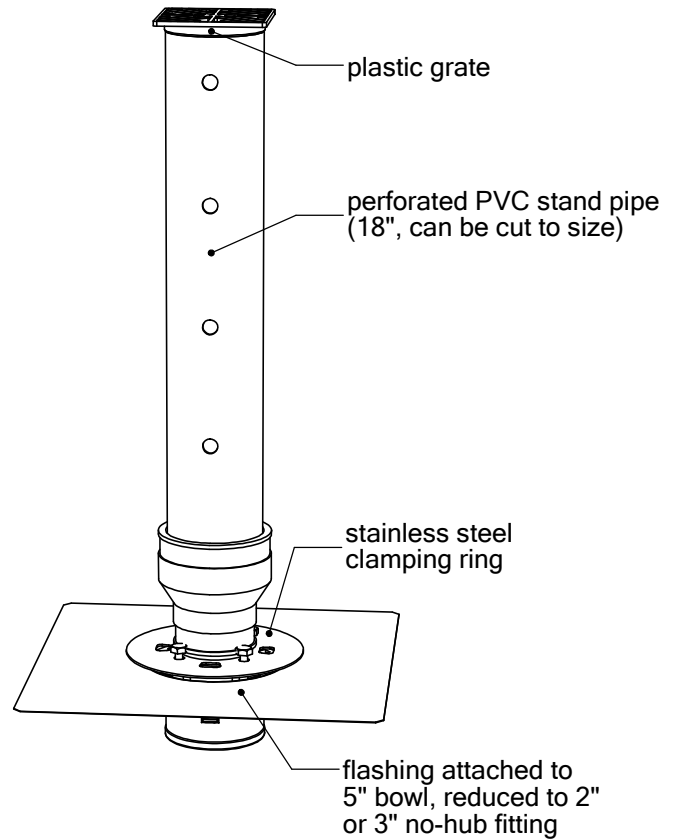
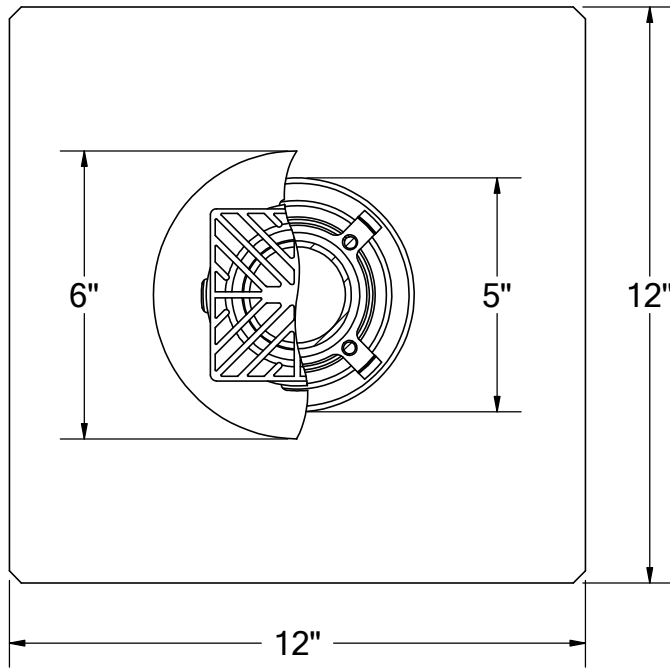




1895 Gillespie Way, El Cajon, CA 92020  
 tel: (619) 448-3567  
 fax: (619) 448-9072 tbirdusa.com

# PLANTER BOX DRAIN

16 oz copper or 316 grade stainless steel flashing. Stainless steel clamping ring. Supplied with 18" PVC stand pipe and plastic grate. PVC pipe can be cut to smaller lengths.



### Installation:

1. Mechanically attach drain flashing to subfloor/planter box.
2. Apply waterproof membrane over drain flashing.
3. Install clamping ring with four screws.
4. Set optional positive weep protector over drain opening.
5. Install 2" threaded ABS adapter into drain opening.
6. Cut and install drainage pipe to required height.

<b>PART #</b>	
BDPB2NH	2" no-hub
BDPB3NH	3" no-hub
<b>OPTIONS</b>	
	16 oz copper flashing
S-	stainless steel flashing
	positive weep protector
<b>GRATE FREE AREA</b>	
plastic grate	4.4 in <sup>2</sup>