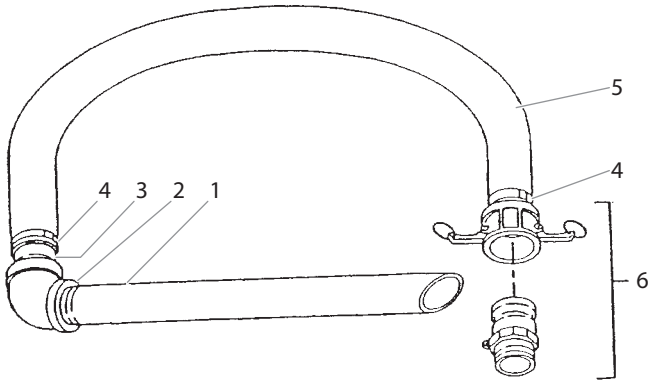
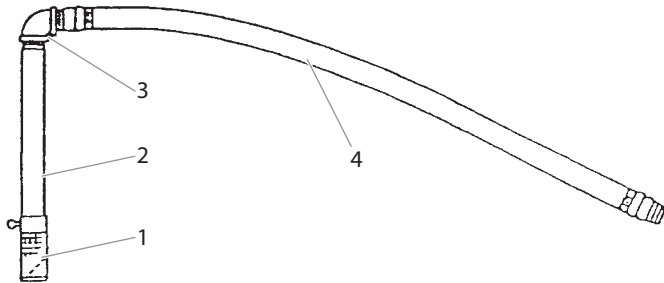


Hydra M™ 2000 / 4000 Fluid Accessories

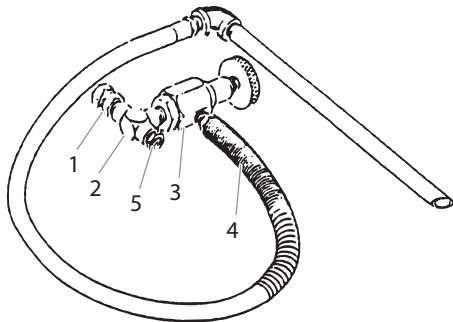


| Siphon Hose Assembly Part # 103-818 (Hydra M™ 2000) | | | |
|--|----------|------------------|------|
| ITEM NO. | PART NO. | DESCRIPTION | QTY. |
| 1 | 103-612 | Tube | 1 |
| 2 | 192-991 | Elbow | 1 |
| 3 | 194-991 | Nipple | 1 |
| 4 | 103-684 | Clamp | 2 |
| 5 | 421-202 | Hose | 1 |
| 6 | 194-201 | CamLock assembly | 1 |



| Siphon Hose Assembly Part # 103-814 (55 gal., Hydra M™ 4000) | | | |
|---|----------|-----------------------|------|
| ITEM NO. | PART NO. | DESCRIPTION | QTY. |
| 1 | 103-629 | Rock catcher assembly | 1 |
| 2 | 103-642 | Tube | 1 |
| 3 | 205-559 | Elbow | 1 |
| 4 | 606-126 | Hose assembly | 1 |

| Siphon Hose Assembly Part # 103-812 (5 gal., Hydra M™ 4000) | | | |
|--|----------|-----------------------|------|
| ITEM NO. | PART NO. | DESCRIPTION | QTY. |
| 1 | 103-629 | Rock catcher assembly | 1 |
| 2 | 103-641 | Tube | 1 |
| 3 | 205-559 | Elbow | 1 |
| 4 | 604-125 | Hose assembly | 1 |



| Outlet Assemblies With Pressure Bleed Valve | | | | |
|---|----------|----------------------|---------|---------|
| ITEM NO. | PART NO. | DESCRIPTION | 840-207 | 840-208 |
| 1 | 200-556 | Swivel adapter, 1" | 1 | |
| 1a | 138-037 | Swivel adapter, 3/4" | | 1 |
| 2 | 813-009 | Cross | 1 | |
| 2a | 817-004 | Tee | | 1 |
| 3 | 929-063 | Bushing | | 1 |
| 3a | 929-075 | Bushing | 1 | |
| 3b | 929-076 | Bushing | 1 | |
| 4 | 945-600 | Valve, bleed | 1 | 1 |
| 5 | 103-106 | Bleed line assembly | 1 | 1 |
| 6 | 210-039 | Plug, pipe | 1 | |

Key Accessories and Service Kits

These items may be purchased separately from your local Titan distributor.

| Part No. | Description |
|----------|---|
| 103-818 | Siphon hose assembly with CamLock assembly, 1 1/2" x 6' |
| 103-807 | Siphon hose assembly with rock catcher 1" x 4' |
| 103-812 | Siphon hose assembly with rock catcher 1 1/4" x 4' |
| 103-814 | 55-gallon siphon hose assembly |
| 103-629 | Rock catcher |
| 920-001 | Paint filter element, 5 mesh (for multicolors and heavy materials) |
| 920-004 | Paint filter element, 50 mesh (for latex and normal architectural materials) |
| 920-005 | Paint filter element, 100 mesh (for stains, lacquers and fine finish materials) |
| 101-208 | Grounding clamp |
| 101-212 | Grounding wire, 12 gauge x 25' |
| 314-480 | Piston Lube upper packing lubricant, 8 ounces |
| 700-926 | Piston Lube upper packing lubricant, 1 quart |
| 430-362 | Coolflo™ hydraulic fluid, 1 quart |
| 430-361 | Coolflo™ hydraulic fluid, 1 gallon |
| 441-071 | Minor service kit for hydraulic motor |
| 441-701 | Major service kit for hydraulic motor |
| 185-050 | Minor service kit for 185-551 fluid pump |
| 185-500 | Major service kit for 185-551 fluid pump |
| 245-050 | Minor service kit for 245-555 fluid pump |
| 245-500 | Major service kit for 245-555 fluid pump |
| 315-050 | Minor service kit for 315-555 fluid pump |
| 315-500 | Major service kit for 315-555 fluid pump |
| 920-050 | Service kit for paint filter |
| 944-050 | Service kit for bleed valve |
| 975-212 | 2-gun manifold with ball valves, 1/4" |
| 975-214 | 4-gun manifold with ball valves, 1/4" |
| 975-111 | 1-gun add-on, 1/4" |
| 975-302 | 2-gun manifold with ball valves, 3/8" |
| 975-304 | 4-gun manifold with ball valves, 3/8" |
| 975-311 | 1-gun add-on, 3/8" |