

# DuPont™ Weathermate™ Flashings and DuPont™ Sill Pan

## Installation Recommendations

### SYSTEM OVERVIEW

#### General Information

These instructions describe how to use DuPont™ Weathermate™ Flashings along with DuPont™ Sill Pan\* to flash a flanged window installed on a wall assembly consisting of rigid foam as the water-resistive barrier (WRB) on a wood frame wall.

As a segment of Weathermate™ Weather Barrier Solutions, Weathermate™ Flashings include Weathermate™ Straight Flashing and Weathermate™ Flexible Flashing. Weathermate™ Straight Flashing is a self-adhering, flexible flashing used as part of a water-resistive barrier system on typical building substrates like wood, insulating sheathing, housewrap and concrete. Weathermate™ Flexible Flashing is a self-adhering, fully adhered flashing that conforms to curved surfaces to provide a tear-resistant seal. DuPont™ Sill Pan is a translucent, two-piece molded polymer sill pan for flashing the base of windows. Its molded design can be adjusted to fit most window sill widths, providing a continuous shield against water infiltration – even in tricky sill corners.

For excellent protection against air infiltration and moisture penetration, count on the full line of Weathermate™ Weather Barrier Solutions from DuPont:

- Weathermate™ housewraps
- Weathermate™ Construction Tape
- Weathermate™ Sill Pan
- Weathermate™ Straight and/or Flexible Flashing
- Great Stuff Pro™ Window & Door Polyurethane Foam Sealant\*\*
- DuPont™ Styrofoam™ Brand extruded polystyrene foam insulation and DuPont™ polyisocyanurate insulation\*\*\*

#### Safety and Conditions of Use

- Consult the label and Material Safety Data Sheet before using any Weathermate™ Weather Barrier Solutions products.
- Wear long sleeves, gloves and eye protection, and use only in well-ventilated areas or wear proper respiratory protection.
- For more detailed instructions, contact your DuPont representative or visit [building.dupont.com](http://building.dupont.com).

### INSTALLATION

#### 1. Install Rigid Foam Insulation

Install approved water-resistive Styrofoam™ Brand Extruded polystyrene foam insulation or DuPont polyisocyanurate insulation. Visit [building.dupont.com](http://building.dupont.com) for complete installation instructions on how to install rigid foam as a WRB.

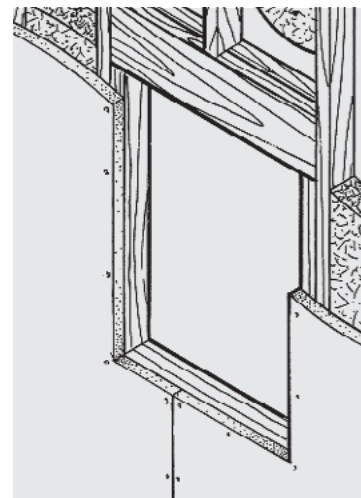


Figure 1

#### 2. Install DuPont™ Sill Pan

- Position one corner piece along the base of window rough opening, lapping over insulation. **Note: DuPont™ Sill Pan is suitable for use in windowsills only.**

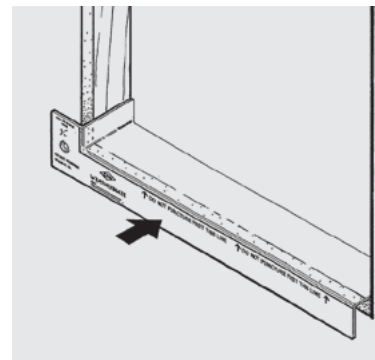


Figure 2a

\* Weathermate™ products and DuPont™ Sill Pan are former products of The Dow Chemical Company.

\*\* Consult the label and Material Safety Data Sheet carefully before use.

\*\*\* DuPont polyisocyanurate insulation available in U.S. only.

- b. Press firmly against corner of window opening. Nail or staple in place, following embossed instructions on product.

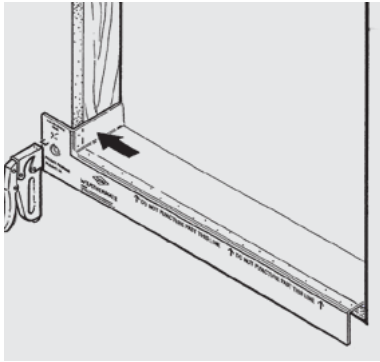


Figure 2b

- c. Position second piece, overlapping first piece with a minimum overlap of 2" (51 mm). Press second piece firmly into corner of window opening. Nail or staple in place, following embossed instructions on product.

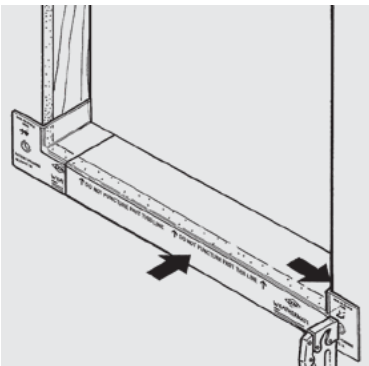


Figure 2c

- d. For window openings wider than 5' (1.5 m), install **DuPont™ Sill Pan** in corners, then cut the corner off a third piece. Center this straight length over the two corner pieces, overlapping each piece a minimum of 2" (51 mm). **Note: DuPont™ Sill Pan works best when sloped to the exterior.**

- e. Seal overlap seam and top edge of corner pieces with **DuPont™ Weathermate™ Flashing**.

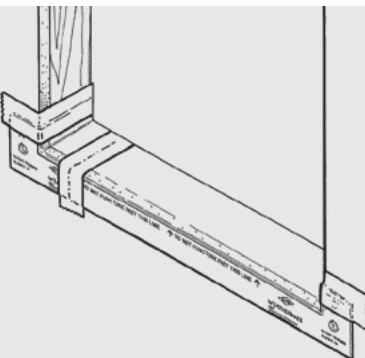


Figure 2e

- f. If shims are necessary when installing the window, place them underneath **DuPont™ Sill Pan**.

### 3. Flash Window Openings

- a. Ensure insulation and wood stud surfaces are clean, dry and free of grease, dust or debris.
- b. Remove release liner and apply minimum of 6" (152 mm) wide **Weathermate™ Straight Flashing** to the window rough opening, wrapping around sheathing and frame as shown. If additional adhesion is needed to hold flashing in place against wood framing, staples may be used.

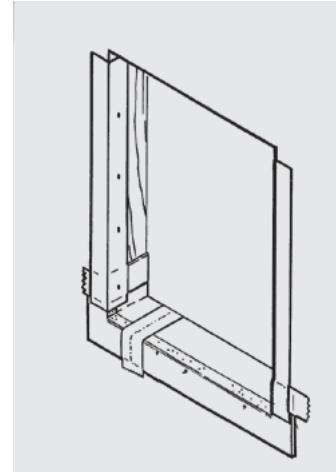


Figure 3

### 4. Install Window and Flash Jamb

- a. Apply a continuous bead of sealant to the back side of the mounting flange, along the header and sides of the window. For more detailed instructions, contact your DuPont representative or visit [building.dupont.com](http://building.dupont.com).

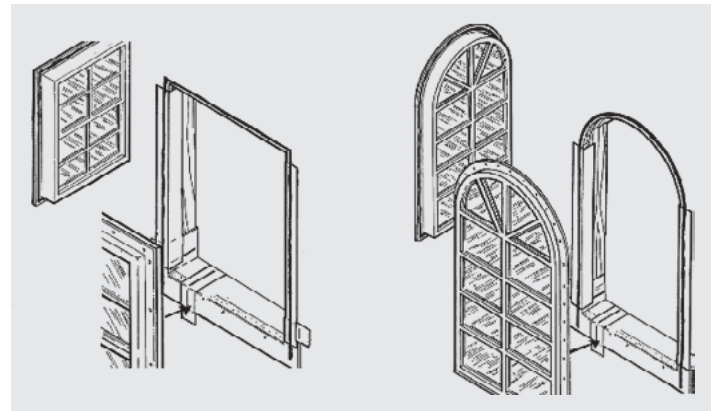


Figure 4a

- b. Install windows plumb, level and square, according to manufacturer recommendations.

- c. Remove release liner and apply **DuPont™ Weathermate™ Straight Flashing** along jambs, overlapping **DuPont™ Sill Pan** or other sill flashing.

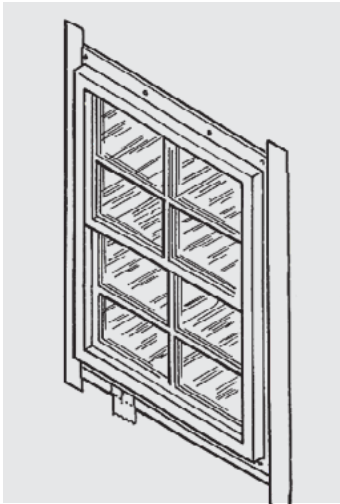


Figure 4c

### Curved Windows

- c. For curved windows, cut a piece of **Weathermate™ Flexible Flashing** 1' (30 cm) longer than the arc length of the header.
- d. Install along header. Do not stretch flashing. Header flashing should overlap jamb flashings by a minimum of 6" (152 mm). If necessary, secure outer edges of **Weathermate™ Flexible Flashing** with plastic cap nails to hold in place.



Figure 5d

### 5. Flash the Header

#### Rectangular Windows

- a. Install **Weathermate™ Straight Flashing** along header, overlapping and extending past jamb flashings.
- b. Tape head flashing with 2-7/8" (73 mm) **Weathermate™ Construction Tape**.

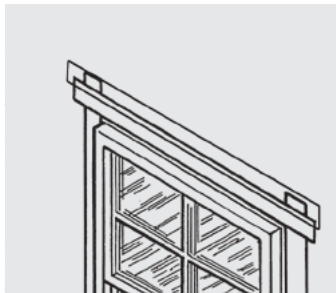


Figure 5A-B

### 6. Air Seal Interior Window Perimeter

To further reduce air infiltration, seal around interior window perimeter with **Great Stuff Pro™ Window & Door Polyurethane Foam Sealant**. This sealant features a minimal-expanding, pliable formulation that won't bow windows and doors, when properly installed.

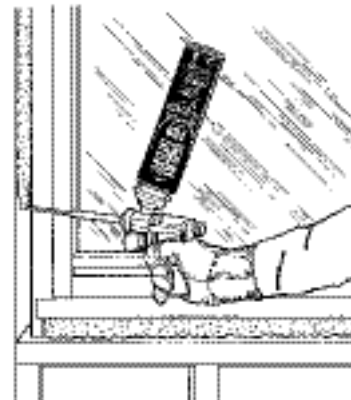


Figure 6



**For more information visit us at  
[building.dupont.com](http://building.dupont.com)  
or call 1-866-583-2583**

**NOTICE:** No freedom from any patent owned by DuPont or others is to be inferred. Because use conditions and applicable laws may differ from one location to another and may change with time, Customer is responsible for determining whether products and the information in this document are appropriate for Customer's use and for ensuring that Customer's workplace and disposal practices are in compliance with applicable laws and other government enactments. The product shown in this literature may not be available for sale and/or available in all geographies where DuPont is represented. The claims made may not have been approved for use in all countries or regions. DuPont assumes no obligation or liability for the information in this document. References to "DuPont" or the "Company" mean the DuPont legal entity selling the products to Customer unless otherwise expressly noted. **NO EXPRESS WARRANTIES ARE GIVEN EXCEPT FOR ANY APPLICABLE WRITTEN WARRANTIES SPECIFICALLY PROVIDED BY DUPONT. ALL IMPLIED WARRANTIES INCLUDING THOSE OF MERCHANTABILITY AND FITNESS FOR A PARTICULAR PURPOSE ARE EXPRESSLY EXCLUDED.** The buyer assumes all risks as to the use of the material. Buyer's exclusive remedy or any claim (including without limitations, negligence, strict liability, or tort) shall be limited to the refund of the purchase price of the material. Failure to strictly adhere to any recommended procedures shall release DuPont Specialty Products USA, LLC or its affiliates, of all liability with respect to the materials or the use thereof. The information herein is not intended for use by non-professional designers, applicators or other persons who do not purchase or utilize this product in the normal course of their business.

**CAUTION:** When cured, these products are combustible and will burn if exposed to open flame or sparks from high-energy sources. Do not expose to temperatures above 240°F (116°C). For more information, consult (Material) Safety Data Sheet ((M)SDS), call DuPont at 1-866-583-BLUE (2583) or contact your local building inspector. In an emergency, call 1-989-636-4400 in the U.S. or 1-519-339-3711 in Canada. The blowing agent contained within this product can exhibit vapor flame limits under the right conditions. If specific operating conditions are such that concentrations of the blowing agent above the lower flammable limit can accumulate in areas with high relative humidity and in the presence of high-energy electrical discharges or other ignition sources, additional measures such as increased ventilation or coded electrical equipment (class one, division two) may be warranted. **DO NOT SMOKE DURING USE. DO NOT USE NEAR ANY OPEN FLAME OR ELECTRICAL SOURCE. OUTDOOR USE ONLY. INDOOR USE INCREASES LIKELIHOOD OF IGNITABLE CONDITIONS.** INSTASTIK™ Quik Set Commercial Roofing Adhesive contains isocyanate and a blowing agent. Read the label and (Material) Safety Data Sheet ((M)SDS) carefully before use. Wear gloves, and goggles or safety glasses. Provide adequate ventilation or wear proper respiratory protection. Contents under pressure. For outside use only.

Building and/or construction practices unrelated to insulation could greatly affect moisture and the potential for mold formation. No material supplier including DuPont can give assurance that mold will not develop in any specific system.

DuPont™, the DuPont Oval Logo, and all trademarks and service marks denoted with ™, SM or ® are owned by affiliates of DuPont de Nemours, Inc. unless otherwise noted. © 2019 DuPont

43-D100376-enNA-0619 CDP