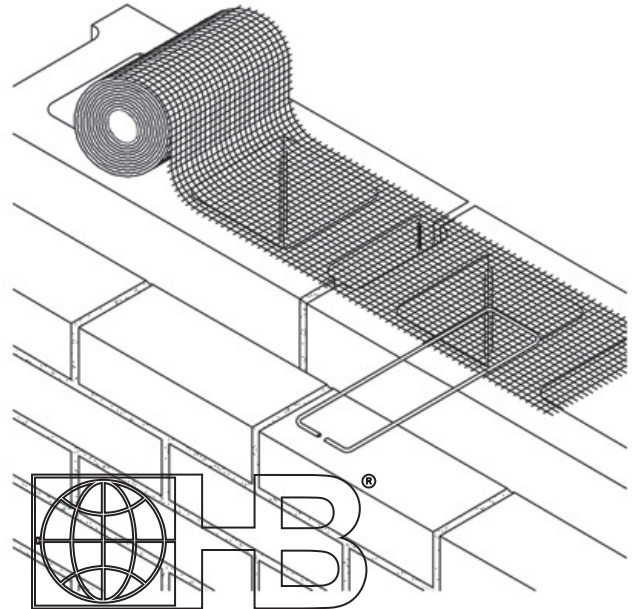
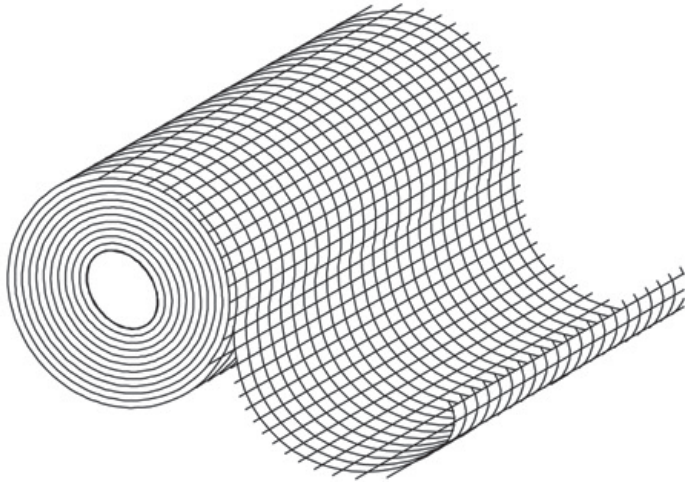


# Mortar Collection Systems/Grout Screen

## MGS - Mortar / Grout Screen



DRAWINGS FOR ILLUSTRATIVE PURPOSES ONLY

**Features:**

- Isolates flow of grout in designated areas requiring reinforced concrete block.
- Allows for greater bonding of masonry anchor in hollow block construction.
- ¼" square monofilament screen is fabricated from high strength, non-corrosive polypropylene polymers.
- Micro-thin material has high tensile and burst strength, yet will not interfere with mortar bond.

**Technical Data:**

- Polypropylene mesh tested in conformance with ASTM D5034.

**Width:**

- 4" (for 6" block)
- 6" (for 8" block)
- 8" (for 10" block)
- 10" (for 12" block)
- 12" (for 14" block)

**Note:** Length per roll is 100 ft.

**IMPORTANT:** Since each construction project is unique, the appropriate selection and use of any product contained herein must be determined by competent architects, engineers and other appropriate professionals who are familiar with the specific requirements of the project in question.