



WATERPROOFING

Sika[®] Swellstop[™] & Sika[®] Lockstop[™]

STRIP-APPLIED WATERSTOPS FOR NON-MOVING JOINTS

Sika® Swellstop™

Hydrophilic controlled expansion waterstop for non-moving joints

Sika® Swellstop™ IS A HIGHLY VERSATILE, STRIP-APPLIED WATERSTOP FOR NON-MOVING CONCRETE JOINTS. FORMULATED TO ENCAPSULATE HYDROPHILIC MATERIALS INTO A RUBBER BASE, Swellstop™ CREATES A CONTROLLED, MOISTURE-ACTIVATED, COMPRESSION SEAL.

Sika® Swellstop™'s structural integrity conforms well to the underlying substrate and exhibits self-healing properties when needed. Unlike many traditional clay-based products, Sika® Swellstop™ will not expand to a point at which the waterstop itself is destroyed. Field experience has proven that products, which continually expand, lose much of their structural integrity and can actually erode when subjected to a constant flow of water. Furthermore, the controlled expansion properties engineered into Sika® Swellstop™, reduce the internal pressures created in cast-in-place applications, which can cause spalling in foundations and wall structures.

Sika® Swellstop™ is ideal for a variety of non-moving joint applications, including:

- Retaining walls
- Box culverts
- Penetrations
- Concrete pipes
- Vaults
- Slabs

KEY ADVANTAGES

- Simple, low-cost installation
- Create watertight bond
- Require no split forming
- Multiple sizes for numerous applications
- Internationally accepted



PHYSICAL PROPERTIES

Description	Value
Color	Black
Specific gravity (ASTM D71)	1.60 ± 5%
Volatile matter ASTM D6	1% maximum
Penetration, cone at 77°F 15 gm; 5 sec. ASTM D217	40 ± 5%
Application temperature	10°F - 125°F
Service temperature	-30°F - 180°F

AVAILABLE SIZES



■ **Sika® Swellstop™ I:**
3/4" X 1
16'8" rolls x 6 rolls/
carton = 100 ft./carton



■ **Sika® Swellstop™ II:**
3/8" X 3/4"
25' rolls x 6 rolls/carton
= 150 ft./carton

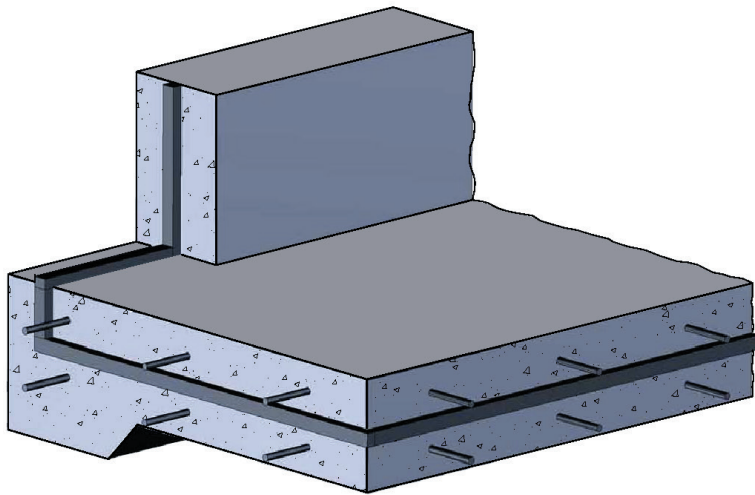


■ **Sika® Swellstop™ SC**
1/2" x 3/4" x 1-1/4"
20' roll x 6 rolls/carton
= 120 ft./carton

Sika® Lockstop™

Mastic waterstop for construction joints

Sika® Lockstop™ IS A STRIP-APPLIED MASTIC WATERSTOP FOR NON-MOVING CONCRETE JOINTS. WHEN PROPERLY INSTALLED USING Sika® Lockstop™ PRIMER ADHESIVE, Sika® Lockstop™ CREATES A WATERTIGHT SEAL BETWEEN CONCRETE SURFACES. Sika® Lockstop™ DOES NOT SWELL OR CREATE ANY INTERNAL JOINT PRESSURES AND REQUIRES MINIMAL CONCRETE COVERAGE.



AVAILABLE SIZES



■ Sika® Lockstop™: 3/4" x 1" | 16'-8" roll
6 rolls/carton | 100'/carton

KEY ADVANTAGES

- Watertight bond
- No split forming
- Easy to install
- Economical

Sika® Lockstop™ conforms well to the underlying substrate and exhibits self-healing properties. Unlike hydrophilic waterstop products, Sika® Lockstop™ will not expand when subjected to moisture and can be installed in nearly all weather conditions and temperatures.

Sika® Lockstop™ is ideal for a variety of non-moving joint applications, including:

- Retaining walls
- Box culverts
- Penetrations
- Concrete pipes
- Vaults
- Slabs

PHYSICAL PROPERTIES

Description	ASTM test	Required limits	Typical values
Specific gravity	D71	1.15 - 1.50	1.22 - 1.30
Flash point	D92	350°F min.	450°F
Fire point	D92	375°F min.	475°F
Ash inert materials	D482	25% min.	35%
Volatile material	D6	3% min.	1.20%

PRIMERS AND COMPLEMENTARY PRODUCTS

AVAILABLE REQUIRED PRIMERS



Swellstop™ Solvent-based primer

- Packaging: 1 gal. and 1 qt. cans
- Yield: ~700-800 ft./gal.



Swellstop™ Water-based primer

- Packaging: 1 gal.
- Yield: 2400 ft./gal.

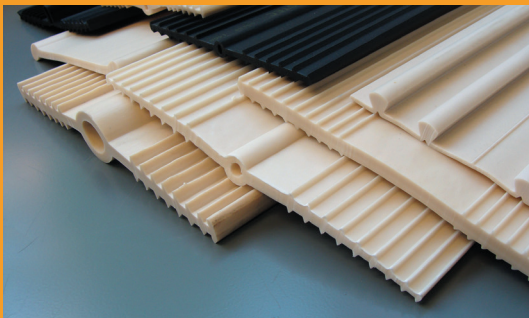


Lockstop™ Solvent-based primer

- Packaging: 1 gal.
- Yield: ~700-800 ft./gal.

Complete Installation Guidelines and CSI Format, Three Part Specifications are available in print or online.

Please consult a Sika® Greenstreak® Engineer for further information.



If your project involves working joints please consult Sika® Greenstreak® about one of our available PVC waterstops.

The sale of all Sika products are subject to the following Limited Warranty:

LIMITED MATERIAL WARRANTY

Sika warrants this product for one year from date of installation to be free from manufacturing defects and to meet the technical properties on the current Product Data Sheet if used as directed within shelf life. User determines suitability of product for intended use and assumes all risks. Buyer's sole remedy shall be limited to the purchase price or replacement of product exclusive of labor or cost of labor.

NO OTHER WARRANTIES EXPRESS OR IMPLIED SHALL APPLY INCLUDING ANY WARRANTY OF MERCHANTABILITY OR FITNESS FOR A PARTICULAR PURPOSE. SIKA SHALL NOT BE LIABLE UNDER ANY LEGAL THEORY FOR SPECIAL OR CONSEQUENTIAL DAMAGES. SIKA SHALL NOT BE RESPONSIBLE FOR THE USE OF THIS PRODUCT IN A MANNER TO INFRINGE ON ANY PATENT OR ANY OTHER INTELLECTUAL PROPERTY RIGHTS HELD BY OTHERS.

Our most current General Sales Conditions shall apply. Please consult the Product Data Sheets prior to any use and processing.

SIKA CORPORATION

Sika Greenstreak Sales and Technical Support Office
3400 Tree Court Industrial Blvd.
Saint Louis, MO 63122
Phone: +800 325 9504

SIKA CORPORATION

201 Polito Avenue
Lyndhurst, NJ 07071
Phone: +201 933 8800
usa.sika.com

Greenstreak

BUILDING TRUST

