

**westcoat**  
SPECIALTY COATING SYSTEMS

MADE IN U.S.A.  
SINCE 1981



**WATERPROOF**

DECKS • BALCONIES • ELEVATED WALKWAYS





**westcoat**<sup>®</sup>  
SPECIALTY COATING SYSTEMS

**DECORATIVE.  
PROTECTIVE.  
WATERPROOF.**

## **THE ULTIMATE IN WATERPROOF DECK TECHNOLOGY**

Westcoat's Waterproof product line delivers strong, long-lasting protection and easy to clean surfaces.

With 40 years of industry experience, Westcoat offers innovative, durable surface solutions for the discriminating professional.

Take the guesswork out of selecting and applying specialty coatings with Westcoat's simplified solution for every type of coating application. An all-inclusive line of step-by-step coating products makes selecting the right process for every job even easier.

Engineered to achieve superior results, Westcoat Specialty Coating Systems delivers numerous protective, textured and decorative options for a variety of applications.

# ALX™ Pro | Plywood Waterproofing

ALX™ is a waterproof walking deck system that gives plywood the look and feel of concrete with a decorative appeal. Designed for use on plywood, ALX™ is ideal for areas with heavy traffic or in cases where elimination of the appearance of plywood seams is essential. ALX™ can be stapled through most old deck systems to provide an excellent method for the rehabilitation of problem surfaces. Compared to other WP Systems, Westcoat ALX system is the ultimate in waterproof deck technology.



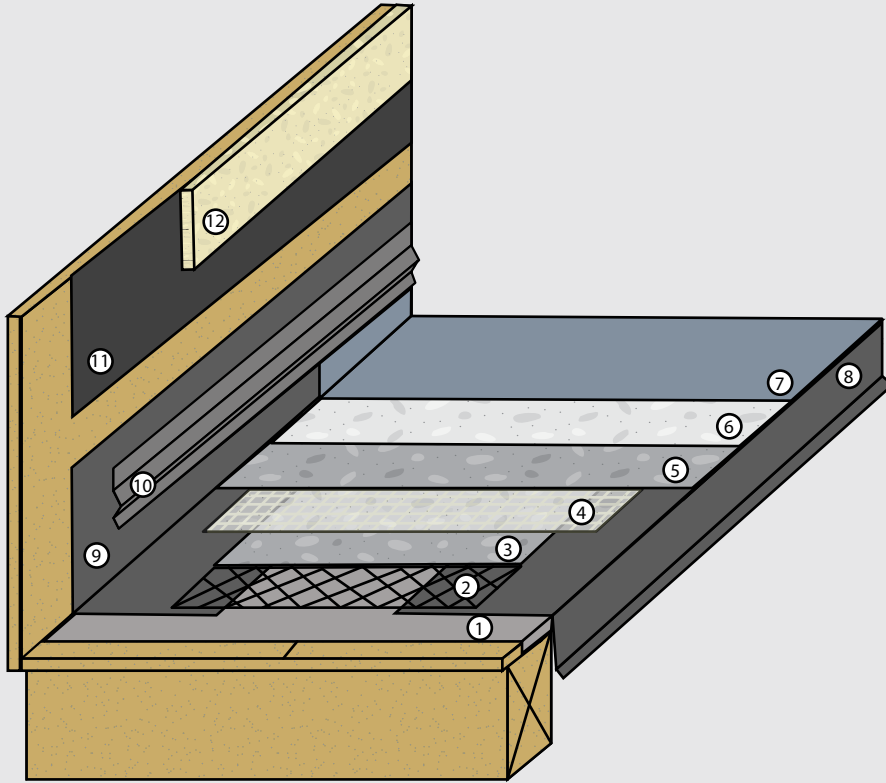
## Up to 20 Year Warranty with WP-40 Full Coverage / 3/4" T&G Plywood

COMPONENTS	SYSTEM ATTRIBUTES	MAINTENANCE
WP-40 Sheet Membrane WP-10 Staples WP-25 Metal Lath WP-47H Fiberlath Heavy Duty WP-51 Polyurethane Sealant WP-81 Cement Modifier WP-90 Waterproofing Resin SC-10 Acrylic Topcoat TC-1 Basecoat Cement TC-3 Medium Texture Cement	ICC Evaluated ESR-2201 Meets Class A Fire Test ASTM E-108 Meets One-Hour Fire Rating ASTM E-119 Meets Class I Vapor Retarder ASTM E96 Sound Reduction Heat Reflective   CRRC   SRI Custom Colors and Finishes Available	Sweep weekly. Hose and broom monthly. Use diluted degreaser for tough spots. Remove build up with diluted vinegar. Inspect every 2-4 years. Resealed 3 to 5 years.

ALX Systems Available: Pro (as shown above), Standard, Custom, Solar Reflective and Underlayment

# Systems and Solutions

## ALX Pro Standard – Overview Architectural Details



### KEYNOTES

- ① Sheet Membrane
- ② Metal Lath
- ③ Base Coat
- ④ Fiberlath Resin Membrane
- ⑤ Slurry Coat
- ⑥ Texture Coat
- ⑦ Topcoat
- ⑧ Drip Edge Metal (2"x4")  
- 26 gauge, bonderized
- ⑨ Wall-to-deck "L" Metal (6"x4")  
- 26 gauge, bonderized
- ⑩ Continuous drip screed
- ⑪ Building Paper
- ⑫ Wall Finish

- Standard overlap is bottom to top with a 4" overlap.

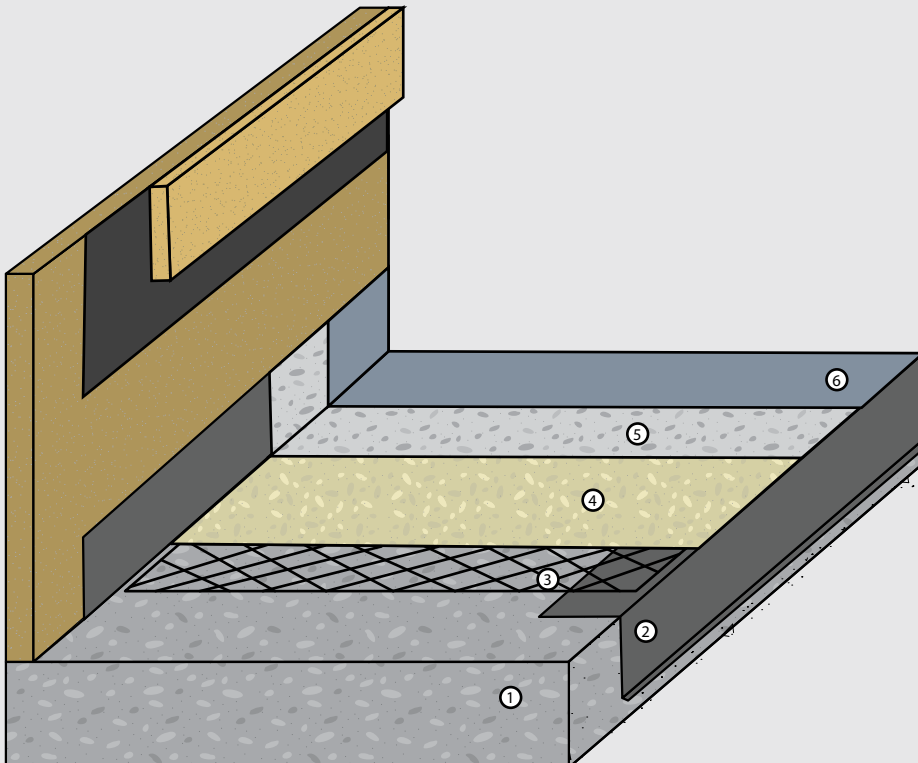
- Apply WP-51 on all flashing seams and overlaps.

- Minimum 5/8" exterior grade plywood.

- Minimum 1/4" slope required on all decks

- Refer to local building codes and standards.

## MACoat Standard – Overview Architectural Details



### KEYNOTES

- ① Concrete Substrate
- ② Bonderized Flashing
- ③ Fiberlath
- ④ Base Coat
- ⑤ Slurry Coat
- ⑥ Acrylic Topcoat

- Concrete must be a minimum 2,500 PSI.

- Concrete must be cured for a minimum 28 days.

- Concrete substrate must be prepared to a profile equal to ICRI CSP 3.

- Refer to local building codes and standards.

# MACoat™ Standard | Concrete Waterproofing

MACoat™ is a fiberlath reinforced deck system that allows water vapor to migrate up and pass through the coating, while still shedding liquid water from off the top. This is different from most traditional urethane coatings, which are not permeable. In many cases it can be applied over existing deck systems to provide an excellent method for the rehabilitation of problem surfaces. Permeable vapor retarder and waterproofing system.



## 5 Year and 10 Year Warranty options.

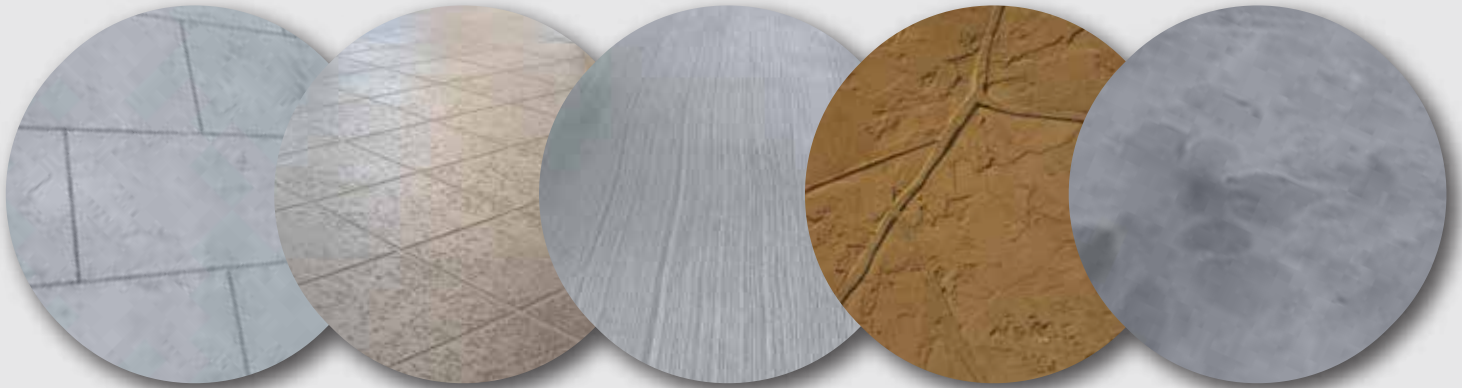
COMPONENTS	SYSTEM ATTRIBUTES	MAINTENANCE
WP-51 Polyurethane Sealant EC-72 Epoxy Patch Gel WP-47 Fiberlath WP-47-3 Seam Tape WP-90 Waterproofing Resin WP-81 Cement Modifier TC-1 Basecoat Cement TC-3 Medium Texture Cement SC-10 Acrylic Topcoat	One-Hour Fire Resistance Rating Class A Fire-Retardant Roofing System Breathable Heat Reflective   CRRC   SRI	Sweep weekly. Hose and broom monthly. Use diluted degreaser for tough spots. Remove build up with diluted vinegar. Inspect every 2-4 years. Resealed 3 to 5 years.

MACoat Systems Available: Standard (as shown above), Custom, Solar Reflective and Underlayment

# THE RIGHT FINISH FOR EVERY JOB.

## No need to sacrifice style when choosing a waterproofing system.

Westcoat's waterproofing systems can be customized to meet your design goals. With endless coloring options using our pigmented topcoats and water-based stain coloring systems, you can also opt for a variety of textures, patterns and sealers. Custom finishes can be applied to both ALX and MACoat, offering unlimited design possibilities, we are able to create patterns and textures that transform the surface into a work of art.



## Finishing Touch

- Textures vary from smooth or decorative skip trowel to a more aggressive non-slip surface.
- Add patterns by applying Grout Tape for a wood plank look or Stone Strips for a flagstone design.
- Protect with a sealer for any environment whether it's a high traffic multi-family walkway or a residential balcony deck.
- Options to install tile, stone, overlays and epoxy over the slurry coat.
- Solar reflective options meet California Title 24 Cool Roof Requirements.

## Certifications and Reports



Westcoat's ALX and MACoat have been tested in accordance with AC39 Acceptance Criteria for Walking Decks and feature certifications and accreditations, including an active ICC Report: ESR-2201 and Los Angeles Research Reports (LARR): RR 25983 & RR 25986.

These reports verify the superior caliber of Westcoat products and impeccable quality control methods. In addition, these reports also provide proven application instructions for applicators and contractors, to help ensure proper installations.