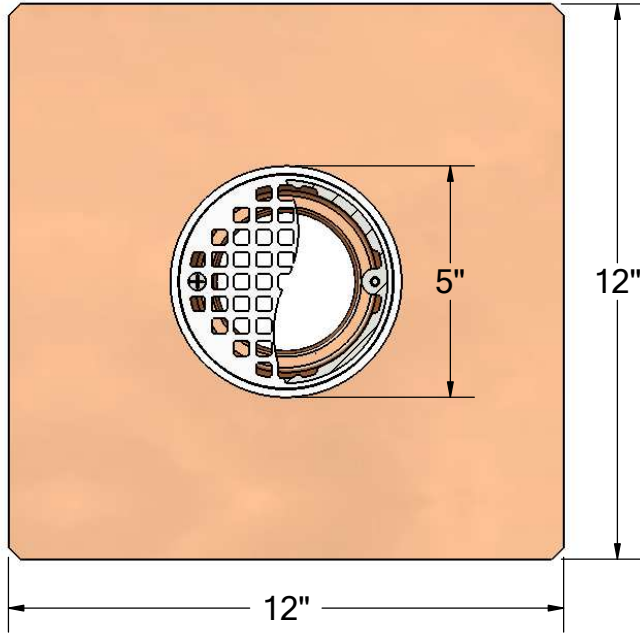




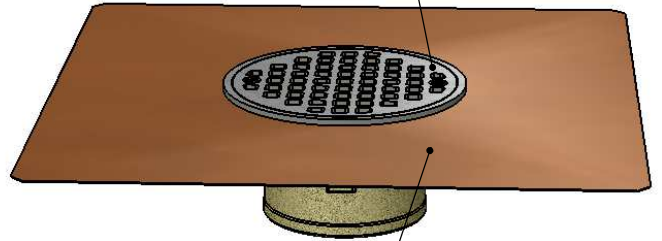
1895 Gillespie Way, El Cajon, CA 92020  
 tel: (619) 448-3567  
 fax: (619) 448-9072    tbirdusa.com

# 5" THIN MEMBRANE DRAIN

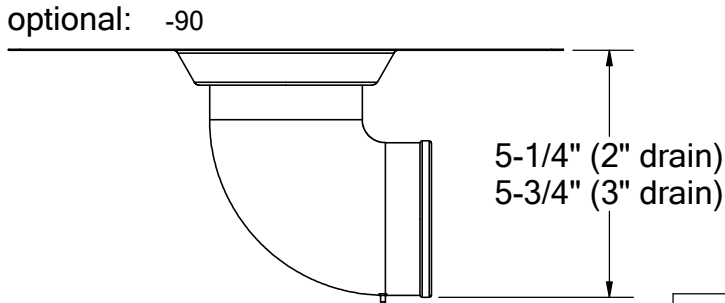
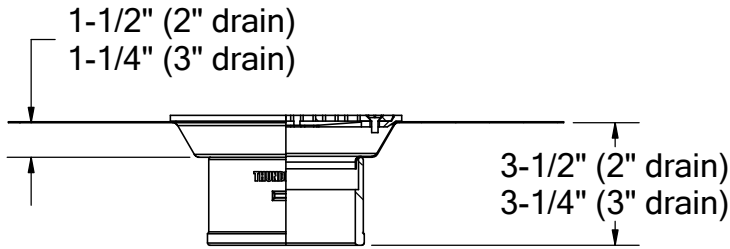
16 oz copper or 316 grade stainless flange. 5" round nickel-bronze grate. Available in 2" and 3" outlet sizes.



round grate, nickel-bronze, 5"  
 5.88 in<sup>2</sup> free area



flashing attached to 2" or 3"  
 bronze no-hub fitting



optional: -90

PART #	
BD52F	2" no-hub
BD53F	3" no-hub
BD53FTA	3" male thread
OPTIONS	
	16 oz copper flange
S-	316 stainless steel flange
-90	90° connection
	round grate, nickel-bronze, 5" 5.88 in <sup>2</sup> free area