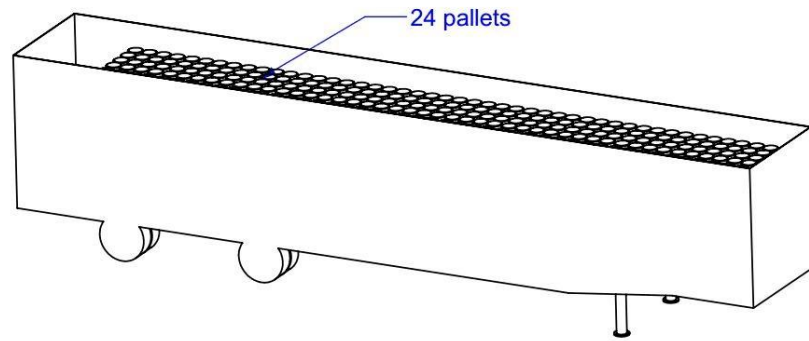


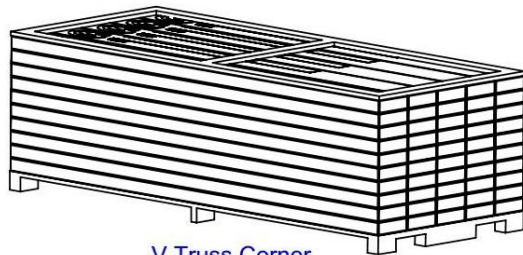
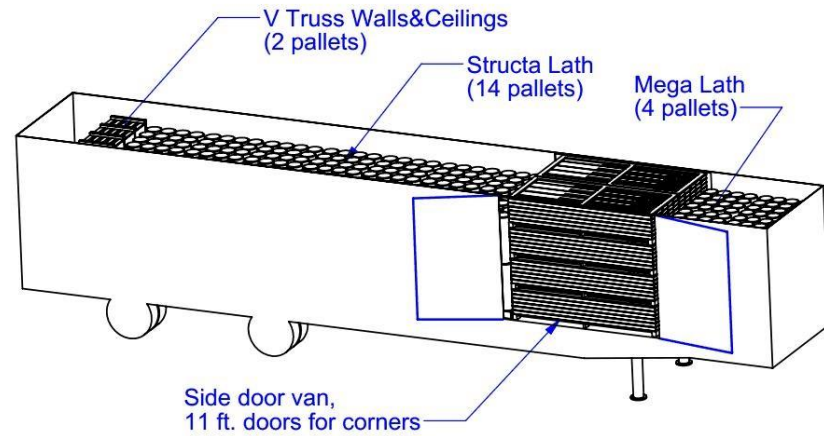
# STRUCTA WIRE CORP

## Shipping details

### Truck load of rolled products

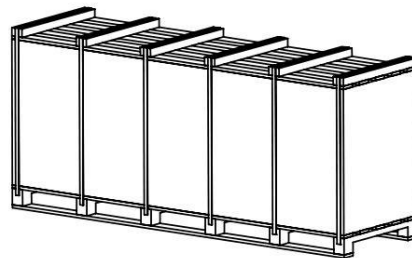


### Sample mixed load



V Truss Corner  
**Jumbo, 50 Boxes pallet**

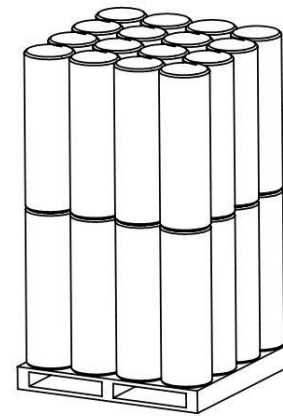
42" x 38" x 120"  
4 - way pallet



V Truss Walls & Ceilings

29" x 44" x 98"  
4 - way pallet

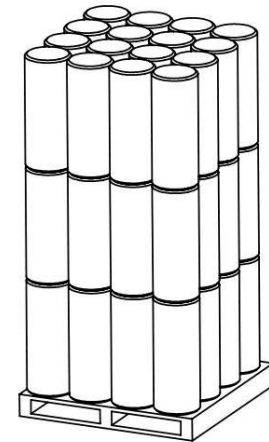
**20 bundles - 240 sheets**



Structa Lath  
or Twin Trac

48" x 48" x 81"

**32 rolls**



Mega Lath

45" x 45" x 96"

**48 rolls**

## Details on Pallet Packaging

Product	Dimensions* (LxWxH)	Product/pallet		Weight(lbs) /1 unit	Product + Pallet Weight (lbs) *
Structalath 38	48"x48"x81"	32	rolls	54	1738
Structalath 54	48"x48"x60"	25	rolls	54	1360
Structalath 48	48"x48"x53"	20	rolls	54	1090
Twin Trac	48"x48"x81"	32	rolls	60	1930
Mega Lath	45"x45"x96"	48	rolls	57	2746
VTruss Walls & Ceiling	29"x98"x44"	240	sheets (12/bundle)(20bundles/pallet)	4.5	1090
V Truss Corner (Jumbo)	42"x120"x38"	50	cartons (40/carton)(50cartons/pallet)	40	2010

\* Estimated – dimensions & weights may vary.