

Semco® fillet nozzles

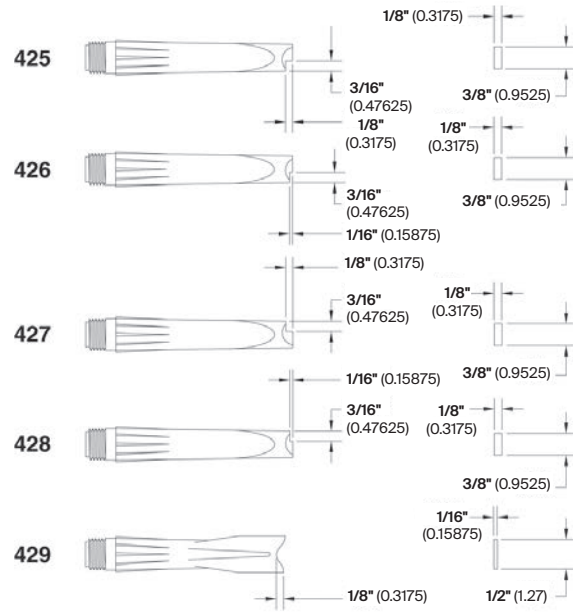
PPG Semco fillet nozzles consistently apply sealant fillets over lap joints. These nozzles eliminate the need for tooling the sealant with spatulas, thereby increasing productivity.

The model 425, 426, 427, and 428 nozzles have a built-in step to guide the nozzle along the lap joint. This produces a smooth, uniform fillet. The model 429 nozzle has no step, offering versatility when used at odd angles and in confined spaces.

These disposable nozzles are precision molded and have a 1/4" NPT male thread to fit Semco 1, 2.5, 6, 8, 12, 20, 32 oz. and 1/10 gallon disposable cartridges. When these nozzles are used in conjunction with a Semco sealant gun, a smooth, uniform fillet can be applied each time.

Fillet nozzles

Description	Part number
425 nozzle	232499
426 nozzle	232500
427 nozzle	232501
428 nozzle	232502
429 nozzle	232590



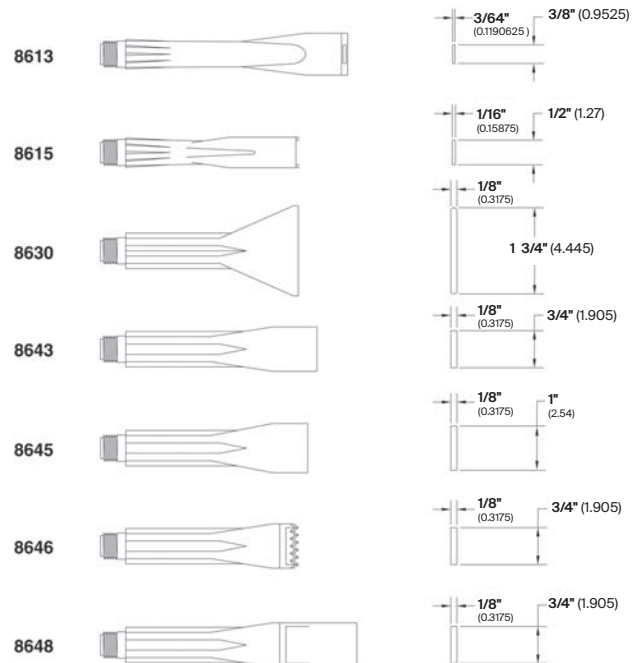
measurements in parenthesis are in cm

Semco® ribbon and speciality nozzles

These disposable nozzles are precision molded and have a 1/4" NPT male thread to fit Semco 1, 2.5, 6, 8, 12, 20, 32 oz., and 1/10 gallon disposable cartridges. A wide variety of speciality ribbon nozzles are available in various thicknesses and widths and are designed to better meet your application needs.

Ribbon and speciality nozzles

Description	Part number
8613 nozzle	220572
8615 nozzle	220574
8630 nozzle	220581
8643 nozzle	220586
8645 nozzle	220587
8646 nozzle	220588
8648 nozzle	220589
Funnel nozzle 1"	231781
Funnel nozzle 2"	231348
Semstraw nozzle	235321



measurements in parenthesis are in cm