

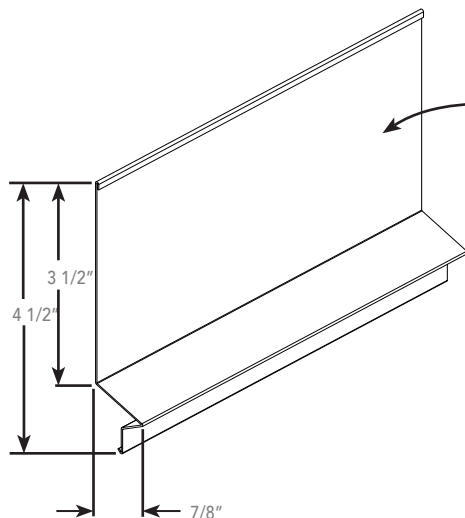
Our **NEW AND IMPROVED** STX Stucco reglet now features a 3 1/2" vertical flange that provides for an easier installation and helps prevent moisture penetration. The STX Stucco reglet is specifically engineered for stucco over block conditions, and designed to accept Springlok flashing and other flexible flashing.

**FEATURES AND BENEFITS**

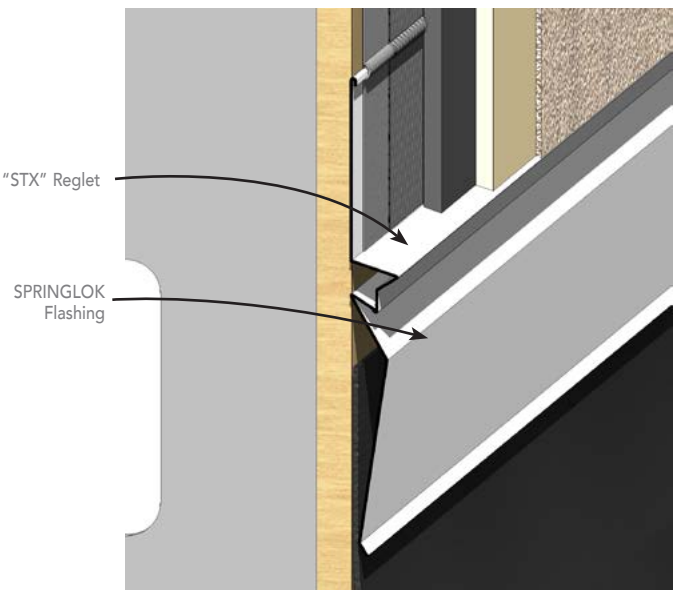
- Redesigned with 3 1/2" vertical leg for ease of installation.
- A "V" projection allows stucco to be applied directly over reglet.
- Designed to eliminate a nailer or backing strip.
- 1" end lap allows for proper alignment and eliminates leaky butt joints.
- Roll-formed to ensure precise fit every time.

**PRODUCT DESCRIPTION:**

<u>MATERIAL</u>	<u>THICKNESS</u>	<u>FINISH</u>	<u>COLOR</u>
Galvanized Steel	24 gage	Standard Zinc Finish	N/A
Galvanized Steel	24 gage	Kynar 500/Hylar 500	Specify color
Galvanized Steel	24 gage	Factory applied powder paint	Specify color
Copper	16oz	Standard Uncoated Finish	N/A
Aluminum	0.025" / 0.040"	Polyester Coating	Gray
Stainless Steel, Type 304	0.020"	Standard Uncoated Finish	N/A



**PRODUCT DETAIL**



**ASSEMBLY DETAIL**