

FHA-7 Weep Sill Screed

Exterior foundation weep (sill) screed

The FHA-7 is for hard-coat stucco, thin-veneer stone, and 1-coat stucco over foam applications. Installed at the juncture of the sill and the exterior concrete foundation, it allows trapped moisture or water to drain to the exterior of the building.

The FHA-7 provides straight edge stops for applied plaster stucco and E.I.F.S. (Exterior Insulation Finishing Systems) with exacting grounds and protective weeps.

The #7 style screed is manufactured in compliance with ASTM standards and has the minimum requirement of 26-gauge, G90 galvanized steel and a 3-1/2" solid nailing flange. A pure zinc alloy version (ASTM B69) is available upon request.

Product Data & Ordering Information:

Material: 26 Gauge, G90 Hot-Dipped Galvanized Steel.
 (Pure Zinc Alloy available upon request and priced accordingly.)
 Dimensions: 3-1/2" Flange x 10' Lengths

Grounds	Flange	Length	Pcs./Bdl.	Pcs./Pallet
1/2", 5/8", 3/4", 7/8", 1-3/8"	3-1/2"	10'	10	500

ASTM & Code Standards:

- ASTM C1063, CE 240.01 (exterior), ASTM C1780 (thin veneer stone), ASTM C926, UBC, ML/SFA-920, the International Code Council IBC and IRC.
- All Expanded Metal Lath Accessories are fabricated from prime galvanized steel G90 zinc coating by the hot dipped method, conforming to steel and coating specification ASTM A653/A653M or zinc alloy meeting ASTM B69 as required in ASTM C1063.
- SDS & Product Certification Information is available at www.clarkdietrich.com/SupportDocs
- For installation and placement instructions refer to ASTM C1063, C1780 and C926.

Storage:

All stored materials shall be kept dry. Materials shall be stacked off the ground, supported on a level platform, and protected from the weather and surface contamination conforming to ASTM C1063 and C1780.

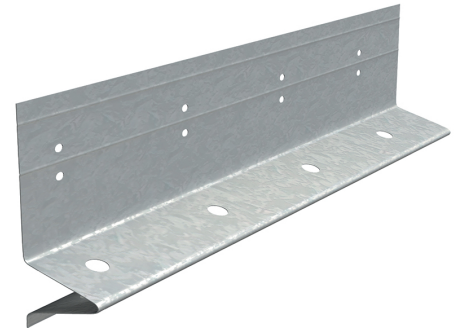
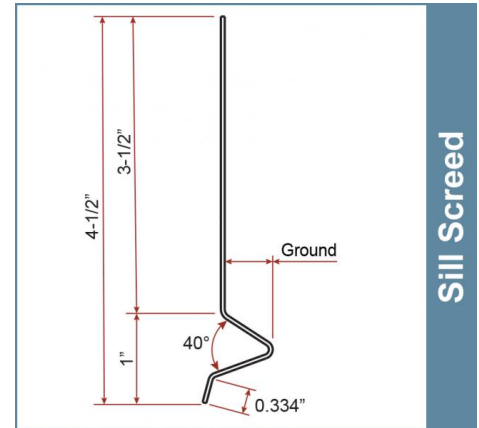
Limitations:

The selection of the appropriate type of material for accessories shall be determined by the surrounding climatic and environmental conditions such as salt air, industrial pollution and high humidity.

Related Accessories:

- #36 Foundation Sill Screed

09.22.36 (Metal Lath)



Sustainability Credits:

For more details and LEED letters contact Technical Services at 888-437-3244 or visit www.clarkdietrich.com/LEED

LEED v4 MR Credit -- Building Product Disclosure and Optimization: EPD (1 point) - Sourcing of Raw Materials (1 point) - Material Ingredients (1 point) - Construction and Demolition Waste Management (up to 2 points) - Innovation Credit (up to 2 points).

LEED 2009 Credit MR 2 & MR 4 -- ClarkDietrich's steel products are 100% recyclable and have a national average recycled content of 34.2% (19.8% post-consumer and 14.4% pre-consumer). If seeking a higher number to meet Credit MR 5, please contact us at (info@clarkdietrich.com / 888-437-3244)

Project Information

Name:
Address:

Contractor Information

Name:
Contact:
Phone:
Fax:

Architect Information

Name:
Contact:
Phone:
Fax: