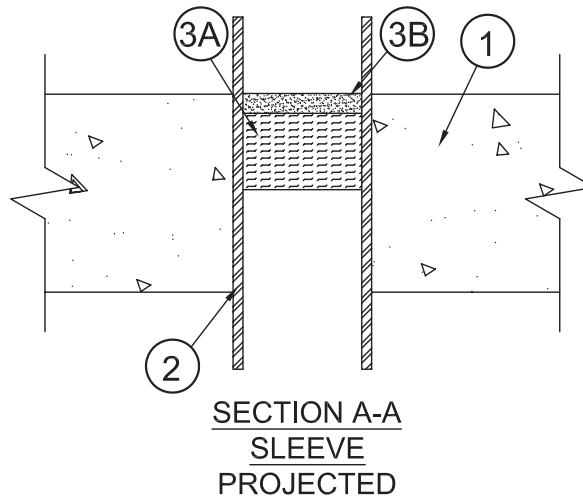
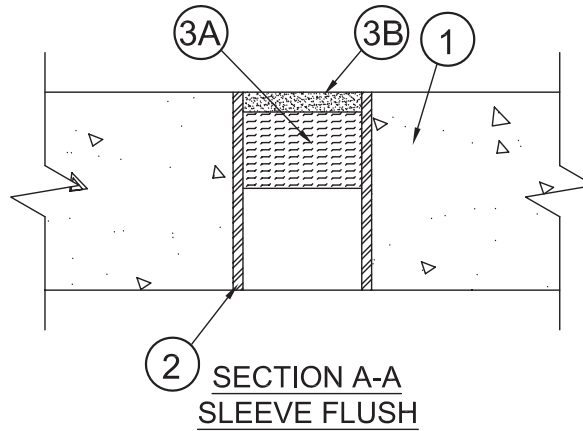
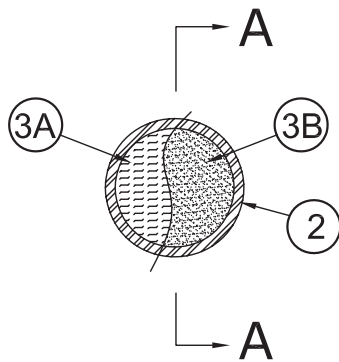




**UL System No. C-AJ-0091**  
**XHEZ - Through-penetration Firestop Systems**  
**XHEZ7 - Through-penetration Firestop Systems Certified for Canada**

May 08, 2015

ANSI/UL1479 (ASTM E814)	CAN/ULC S115
F Rating — 2 Hr	F Rating — 2 Hr
T Ratings — 0 and 1 Hr (See Item 2)	FT Ratings — 0 and 1 Hr (See Item 2)
L Rating At Ambient — 2 CFM/sq ft	FH Rating — 2 Hr
L Rating At 400 F — less than 1 CFM/sq ft	FTH Ratings — 0 and 1 Hr (See Item 2)
	L Rating At Ambient — 2 CFM/sq ft
	L Rating At 400 F — less than 1 CFM/sq ft



- Floor or Wall Assembly** – Min 4-1/2 in. (144 mm) thick reinforced lightweight or normal weight (100-150 pcf or 1600-2400 kg/m<sup>3</sup>) concrete floors or min 3 in. (76 mm) thick reinforced lightweight or normal weight concrete walls. Wall may also be constructed of any UL Classified **Concrete Blocks\***. Max diam of opening is 6 in. (152 mm).

See **Concrete Blocks** (CAZT) category in the Fire Resistance Directory for names of manufacturers.

- Steel Sleeve** – (Optional) — Nom 6 in. (152 mm) (or smaller) Schedule 10 (or heavier) steel sleeve cast or grouted into floor or wall assembly. Steel sleeve may be installed flush (Configuration A) or may project max 2 in. (51 mm) beyond the floor or wall surfaces (Configuration B).

The T, FT and FTH Rating of the firestop system is 1 hr except that when the sleeve projects beyond either or both faces of the wall or floor, the T Rating is 0 hr.